

VICTROLA™



MODEL: VJB-105

Bluetooth Jukebox with Turntable and CD Player

Important Safety Instructions	2
Product Overview	5
General Operation.....	10
Listening to a CD/MP3 CD	11
Listening to a Vinyl Record.....	12
Listening to FM Radio.....	14
Listening to an External Audio Device (Auxiliary Mode)	14
Listening to an External Audio Device (Bluetooth Mode).....	15
Maintenance / Proper Handling	15
Specifications.....	16
Troubleshooting Guide	16
FCC Statement.....	18
California PROP 65 Warning	18
Warranty	18

 <p>The lightning flash with arrowhead within an equilateral triangle is intended to alert the user to the presence of uninsulated "dangerous voltage" within the product's enclosure that may be of sufficient magnitude to constitute a risk of electric shock to persons.</p>	<p>CAUTION</p> <p>RISK OF ELECTRIC SHOCK DO NOT OPEN</p> <p>CAUTION: TO PREVENT RISK OF ELECTRIC SHOCK, DO NOT REMOVE COVER (OR BACK). NO USER-SERVICEABLE PARTS INSIDE. REFER SERVICING TO QUALIFIED SERVICE PERSONNEL.</p>	 <p>The exclamation point within an equilateral triangle is intended to alert the user to the presence of important operating and maintenance (servicing) instructions in the literature accompanying the appliance.</p>
--	---	--

CAUTION: To reduce the risk of fire or electric shock, do not expose this appliance to rain or moisture.
WARNING: To prevent electric shock, do not use this (polarized) plug with an extension cord, receptacle or other outlet unless the blades can be fully inserted to prevent blade exposure



WARNING: Invisible laser radiation when open and interlock failed or defeated. Avoid direct exposure to laser beam.

Important Safety Instructions


1. Read these instructions – All the safety and operating instructions should be read before this product is operated.
2. Keep instructions – The safety and operating instructions should be retained for future reference.
3. Heed all warnings – All warnings on the appliance and in the operating instructions should be adhered to.
4. Follow all instructions – All operating and use instructions should be followed.
5. Do not use this apparatus near water – The appliance should not be used near water or moisture – for example, in a wet basement or near a swimming pool, and the like.
6. Clean only with dry cloth.
7. Do not block any ventilation openings. Install in accordance with the manufacturer's instructions.
8. Do not install near any heat sources such as radiations, heat registers, stoves, or other apparatus (including amplifiers) that produce heat.
9. Do not defeat the safety purpose of the polarized or grounding plug. A polarized plug has two blades with one wider than the other. A grounding plug has two blades and a third grounding prong. The wide blade or the third prong is provided for your safety. If the provided plug does not fit into your outlet,

consult an electrician for replacement of the obsolete outlet.

10. Protect the power cord from being walked on or pinched particularly at the plugs, convenience receptacles, and at the point where they exit from the apparatus.
11. Only use attachments/accessories specified by the manufacturer.
12. Use only with the cart, stand, tripod, bracket, or table specified by the manufacturer, or sold with the apparatus. When a cart or rack is used, use caution when moving the cart/apparatus combination to avoid injury from tip-over.
13. Unplug the apparatus during lightning storms or when unused for long periods of time.
14. Refer all servicing to qualified personnel. Servicing is required when the apparatus has been damaged in any way, such as power supply cord or plug is damaged, liquid has been spilled or objects have fallen into the apparatus has been exposed to rain or moisture, does not operate normally, or has been dropped.



- The lightning flash with arrowhead symbol within an equilateral triangle is intended to alert the user to the presence of non-insulated "dangerous voltage" within the product's enclosure that may be of sufficient magnitude to constitute a risk of electric shock.
- Warning: To reduce the risk of electric shock, do not remove cover (or back) as there are no user-serviceable parts inside. Refer servicing to qualified personnel.
- The exclamation point within an equilateral triangle is intended to alert the user to the presence of important operating and maintenance instructions in the literature accompanying the appliance.

16.  Protective earthing terminal. The apparatus should be connected to a mains socket outlet with a protective earthing connection.

17. The main plug is used as disconnect device, the disconnect device shall remain readily operable.

18. WARNING

To reduce the risk of fire or electric shock, do not expose this apparatus to rain or moisture. The apparatus shall not be exposed to dripping or splashing. Objects filled with liquids, such as vases, shall not be placed on apparatus.

19. The equipment should always be used in a moderate climate.

20. The ventilation should not be impeded by covering the ventilation openings with items, such as newspapers, tablecloths, curtains, etc.

21. No naked flame sources, such as lighted candles, should be placed on the apparatus.

22. The symbol with  Indicates AC voltage.

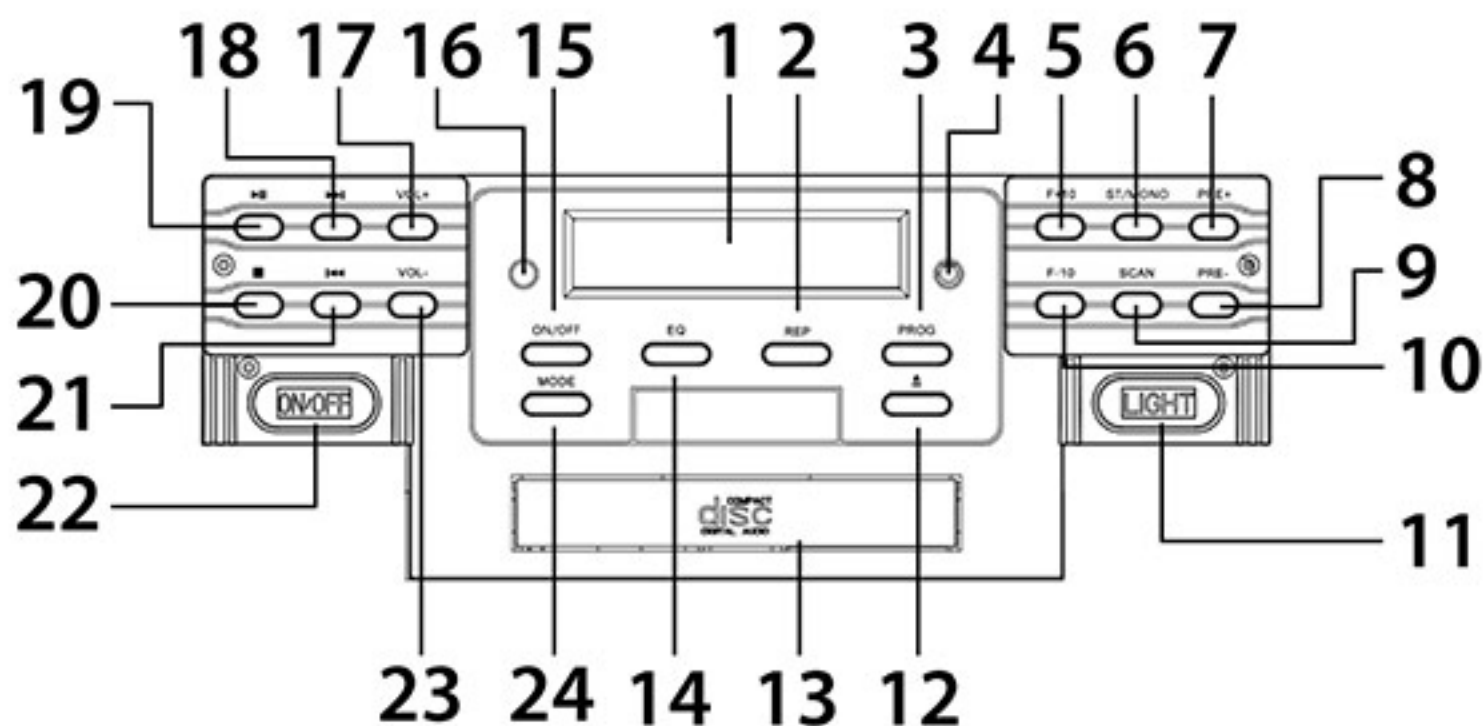
23. CAUTION, The servicing instructions are for qualified service personnel only. To reduce the risk of electric shock, do not perform any services other than that stated in the operation manual unless you are qualified to do so.

24. Cells or batteries should not be disassembled, crushed, punctured, opened, or otherwise mutilated.
25. Always take care to correctly insert cells and batteries observing the positive (+) and negative (-) polarity marks on the product and the device for which it is intended.
26. Do not short circuit the cells or batteries. Store cells and batteries in their original packaging and away from metal objects which may short-circuit them.
27. Batteries should not be heated or exposed to temperatures exceeding the manufacturer's recommended maximum temperature. Such thermal exposure may lead to leakage, fire, or explosion/disassembly.
28. Do not drop or subject the cell or battery to strong mechanical shock.
29. Use the cell or battery with equipment that specifies its use.
30. Keep cells and batteries out of reach of children.
31. Seek medical advice immediately if a cell or battery has been swallowed.
32. In the event that the electrolyte comes into contact with the skin or eyes, immediately flush with fresh water for at least 15 minutes and seek medical advice.
33. Do not mix cells or batteries of different sizes, brands, capacities, or chemistries.
34. Consult the cell manufacturer for the maximum number of cells to be assembled in a battery.
35. Batteries should not be placed into a fire except under conditions of controlled incineration. Always dispose of batteries responsibly at Battery Recycling Sites after fully discharging batteries. Do not dispose of batteries into standard garbage disposal sites.
36. Failure to observe this precaution may result in an explosion/disassembly.

ACCESSORIES INCLUDED

- Bluetooth Jukebox with turntable and CD player
- INSTRUCTION MANUAL
- WARRANTY (BACK OF MANUAL)
- Remote Control
- Plastic Cradle
- RCA Line Out Cable
- 45 RPM adaptor

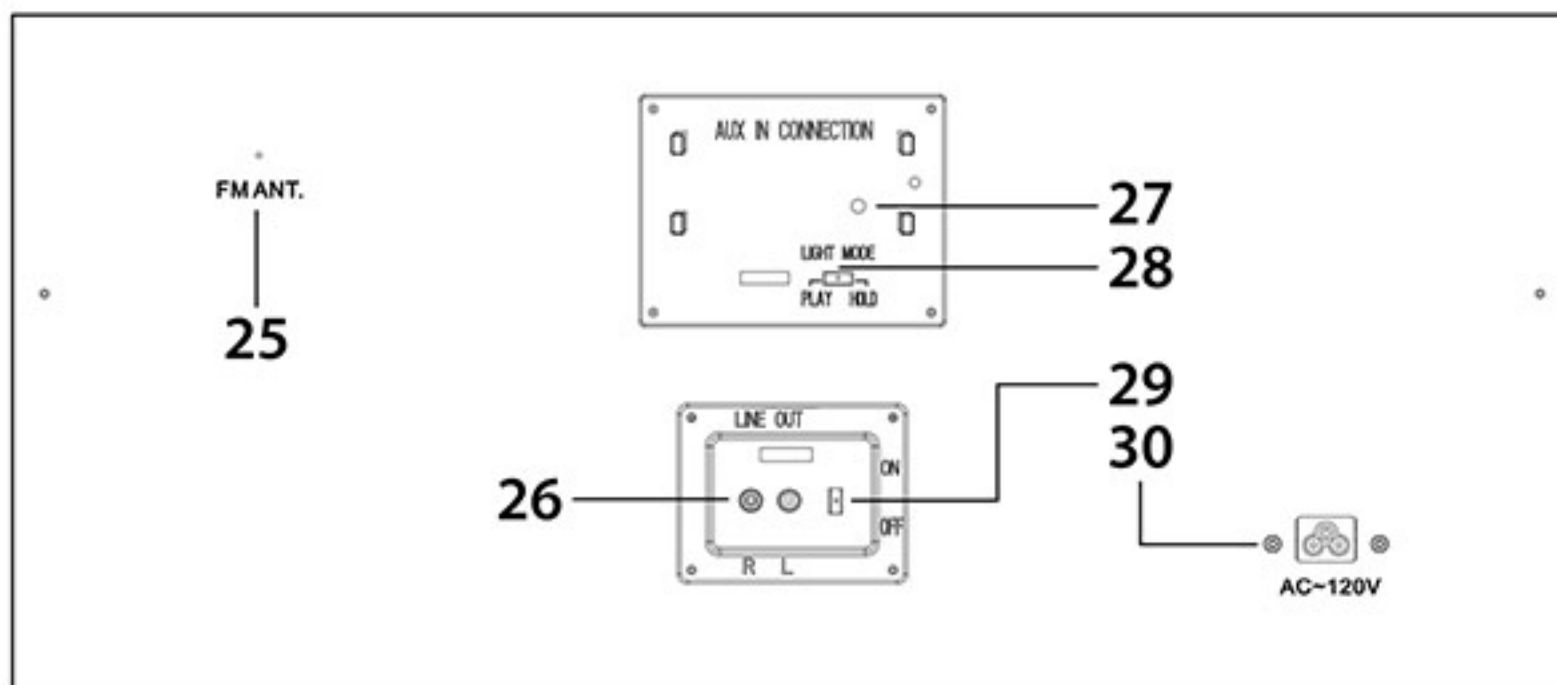
Product Overview



Front View

1. **LCD DISPLAY**
2. **REP:** In CD/MP3 play mode, press to repeat/random songs.
3. **PROG:** In CD stop mode/ In Radio mode, Press to set the program playback / In Standby mode, press and hold this button to get into time set mode.
4. **RM:** REMOTE SENSOR
5. **F+10:** Press to skip to 10 next tracks.
6. **ST/MONO:** Stereo / Mono Selection in Radio Mode
7. **PRE+:** Press to listen to preset station, in program mode, press to select preset station number.
8. **PRE-:** Press to listen to preset station, in program mode, press to select preset station number.
9. **SCAN:** Press to automatically search and save radio stations.
10. **F+10:** Press to skip to 10 previous tracks
11. **LIGHT:** Press to turn on/off the light
12. **(▲) OPEN/CLOSE:** In CD mode, use to open and close the disc tray.
13. **DISC TRAY**
14. **EQ:** Press to change the Equalizer setting. Equalizer settings preloaded on to the Unit are Flat (FLAt), Rock (rOC), Pop (POP), Jazz (JAZZ) and Classical (CLASSIC).
15. **ON/OFF (small):** Press to enter Standby Mode.
16. **LED**
17. **VOL+:** Increase Volume, press the button repeatedly or press once and hold down until you reach the desired volume level.

18. **▶▶ NEXT TRACK:** In CD Mode press to skip to the next track. Press and hold to fast forward / In Standby mode, press to set the time. / In BLUETOOTH Mode, press to skip to the next track. / In Radio Mode, press to manually tune to a desired station or press and hold this button to auto search a station.
19. **▶|| PLAY/PAUSE:** In CD/ BLUETOOTH mode, press to play or pause playback.
20. **■ STOP:** Press to stop playback or cancel the program setting.
21. **◀◀ PREVIOUS TRACK:** In CD Mode, press once to skip to the previous track. Press and hold to fast rewind / In Standby mode, press to set the time / In BLUETOOTH Mode, press to skip to the previous track. / In Radio Mode, press manually tune to a desired station or press and hold this button to auto search a station.
22. **ON/OFF (big):** Turn on the unit.
23. **VOL-:** Reduce Volume, press the button repeatedly or press once and hold down until you reach the desired volume level.
24. **MODE:** Press to select between the different functions such as the FM Tuner, AUX, CD player, Bluetooth and Phonograph.

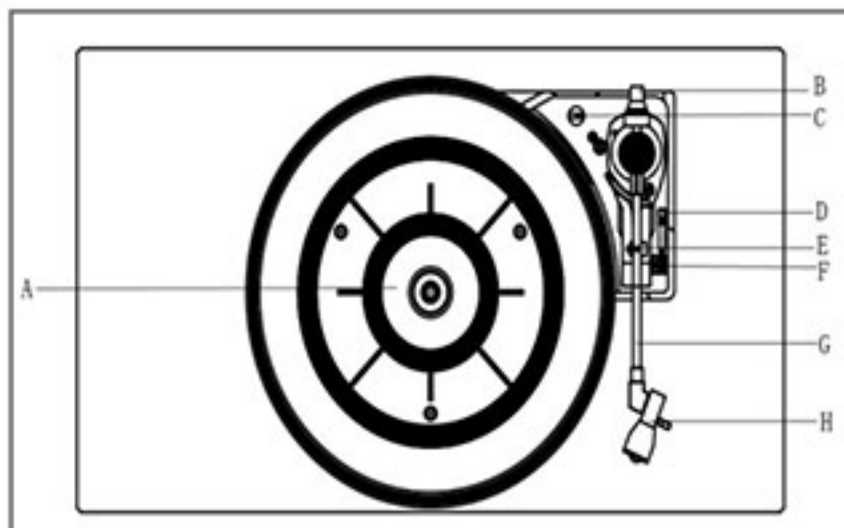


Rear View

25. **FM Wire Antenna**
While tuned to a station in FM mode, extend the wire and reposition to adjust for best reception.
 26. **Line out Socket**
Connect external speakers
 27. **AUX IN Cord**
Connect an external source
 28. **LIGHT Mode Switch**
Single light mode or mixed light mode for LED Tube.
 29. **Line out ON/OFF Switch**
Select ON position, to use external speakers, select OFF position, to use the unit's built-in speakers.
- Note: The jukebox's volume button can't control the external speakers volume.
30. **AC Power Cord**
Put Plug into a wall outlet.

Parts of the Turntable

- A. Turntable.
- B. Counter weight
- C. Safety Screw (for transport) Before using the unit, turn the screw clockwise using a coin or screwdriver.
Important: When you transport the unit, turn the screw counterclockwise to secure the turntable.
- D. Cue-lever. Use this lever to lift the tone arm.
- E. Tone Arm holder.
- F. Speed Selector.
- G. Tone Arm. Before use, completely loosen the twist-tie on the tone arm and lift the tone arm up.
- H. STYLUS



REMOTE CONTROL

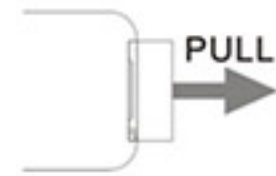


1. **MODE:** Press to select between the different functions such as the FM Tuner, AUX, CD player, Bluetooth and Phonograph.
 2. **ON/Standby:** Push to turn the unit on or off.
 3. **STOP:** Press to stop playback or cancel the program setting.
 4. **PREVIOUS TRACK:** In CD Mode, press once to skip to the previous track. Press and hold to fast rewind/In Standby mode, press to set the time/In BLUETOOTH Mode, press to skip to the previous track. / In Radio Mode, press manually tune to a desired station or press and hold this button to auto search a station.
 5. **PROG:** In CD stop mode, Press to set the program playback / In Standby mode, press and hold this button to into time set mode.
 6. **REPEAT:** In CD/MP3 play mode, press to repeat/random songs.
 7. **SCAN:** Press to automatically search and save radio stations.
 8. **ST/MONO:** Stereo / Mono Selection in Radio Mode.
 9. **OP-CL/MEM:** Press to Open/Close CD Tray and to use the Memory Function while using the Radio.
 10. **PLAY/PAUSE:** In CD/BLUETOOTH mode, press to play or pause playback
 11. **VOL-:** Reduce Volume, press the button repeatedly or press once and hold down until you reach the desired volume level.
 12. **VOL+:** Increase Volume, press the button repeatedly or press once and hold down until you reach the desired volume level.
 13. **NEXT TRACK:** In CD Mode press to skip to the next track. Press and hold to fast forward/ In Standby mode, press to set the time./In BLUETOOTH Mode, press to skip to the next track./ In Radio Mode, press to manually tune to a desired station or press and hold this button to auto search a station.
 14. **FOLDER-:** Press to select previous Folder
 15. **FOLDER+:** Press to select next Folder
 16. **EQ:** Press to change the Equalizer setting. Equalizer settings preloaded on to the Unit are Flat (FLAT), Rock (rOC), Pop (POP), Jazz (JAZZ) and Classical (CLASSIC).
 17. **PRE-:** Press to listen to preset station, in program mode, press to select preset station number.
 18. **PRE+:** Press to listen to preset station, in program mode, press to select preset station number.
- The Remote Control Unit can operate the unit from a distance. When operating the remote control unit, point it towards the front panel of the unit.*
- Even if the remote control unit is operated within the effective range, remote control operation may be impossible if there are any obstacles between the unit and the remote control.

- If the remote control unit is operated near other appliances which generate infrared rays, or if other remote control devices using infrared rays are used near the unit, it may operate incorrectly. Conversely, the other appliances may operate incorrectly.

TO ACTIVATE THE REMOTE CONTROL:

The remote control is built with cell battery before shipment. To activate the battery, remove the transparent plate at the bottom of the remote control.

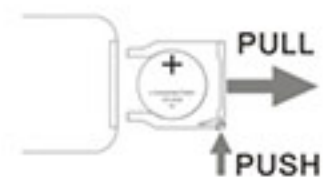


Now the remote control is ready to use.

BATTERY REPLACEMENT: If the distance required between the remote control unit and main unit decreases, the battery is exhausted. In this case, please replace the battery with new one.

TO REPLACE WITH A NEW BATTERY:

1. Remove the battery compartment cover as per illustration on the right.
2. Observing the correct polarity and put a 3Vdc lithium battery (CR2025).
3. Close the cover.



Battery Precautions:

- Be sure to insert the battery with correct positive + and negative - polarities.
- Refer to the precautions on the battery labels.
- When the remote control unit is not to be used for a long time (more than a month), remove the battery from the remote control unit to prevent it from leaking. If it leaks, wipe away the liquid inside the battery compartment and replace the battery with new one.
- Do not heat or disassemble batteries and never dispose of old batteries by throwing them in a fire.
- Purchase the correct size and grade of cell or battery most suitable for the intended use.
- Keep cells or batteries clean and dry both during use and storage. Wipe metal terminals with a soft, dry cloth if they become dirty.
- Retain original product literature for future reference.
- Only use the cell or battery in the application for which it was intended.

General Operation

GETTING STARTED

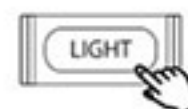
1. Plug unit's AC cord to AC Wall Outlet.
2. Push the large, red "ON/OFF" Main Power Button to turn on the unit.
3. Press the small, red ON/OFF button to use the unit.



LED LIGHTING EFFECTS

1. To turn on/off the LED lighting effects simply press the LIGHT button located on the front of the unit.
2. Switch Light Mode located on the back of the unit to PLAY to have the colors gradually change or to HOLD to have one steady color.

NOTE: The lighting effects will ONLY operate if you turn on the large ON/OFF button (main power button).



SETTING THE TIME

1. Press and hold (3-5 Seconds) the PROG button on the front of the unit, the "12-H" on the LCD Display will blink, then press the ◀◀ or ▶▶ button to Switch from "12-H" to "24-H".
2. Press the PROG button to confirm and the Hour Time will blink, press ◀◀ or ▶▶ button until you get to the correct hour.
3. Press the PROG button to confirm and the Minute Time will blink, press ◀◀ or ▶▶ button until you get to the correct Minutes, press the PROG button to confirm.

NOTE: The time will only be saved when the unit is ON or in Standby Mode, if you want the time to be saved do not turn off the main power button.

LINE OUT OPERATION (FOR EXTERNAL SPEAKERS ONLY)

NOTE: LINE OUT ON THE BACK OF THE UNIT SHOULD BE SWITCHED TO THE "OFF" POSITION TO USE THE UNIT'S BUILT-IN STEREO SPEAKERS.

- 1 Switch Line Out to "ON" position.
2. Use the left/right channel to connect your external, more powerful speakers.

NOTE: 1. When Line Out is ON, no sound will play from the unit's speakers.

Listening to a CD/MP3 CD

1. Press the "MODE" button to select CD mode. The unit will display the "CD"
2. **Note:** When no disc is set, "no disc" will appear on the display.
3. Push the OPEN/CLOSE (eject) button to open the CD tray.
4. Place a disc on the tray with the printed label facing upward, then push the OPEN/CLOSE (eject) button to close the CD tray.
5. The unit will automatically start playing from the first track.
6. To temporarily pause playback, press ►|| button. Press again to resume.
7. To skip tracks backward or forward, press the corresponding skip button ◀◀ or ▶▶. Pressing ◀◀ will return to the beginning of the previous track. Pressing ▶▶ button to skip to the next track.
8. To fast forward / rewind within a track, press and hold down the corresponding skip button until the desired position is reached.
9. Press F-10 button to skip to 10 previous tracks
10. Press F+10 button skip to 10 next tracks
11. To stop playback, press the STOP ■ button

Important:

- Never place more than one disc on the tray.
- The disc must be placed in the center of the disc tray. An incorrectly loaded disc can permanently damage the tray door mechanism.
- It takes a moment for the unit to load a disc, during which all buttons will be temporarily deactivated.

Repeat/Random Playback

Each time the REP button is pressed, the repeat / shuffle mode will cycle through the following options:

REPEAT 1(Repeat one track)

The current track will be played repeatedly. If you select another track, the track you select will play on repeat.

REPEAT FOLDER (Repeat folder Only on MP3 CD)

The current folder will be played repeatedly.

REPEAT ALL (Repeat the entire CD)

The entire CD will be played repeatedly.

SHUFFLE PLAY (Shuffle through the entire CD)

The entire CD will be played randomly.

Notes:

- Press REP button, the repeat mode will be cancelled.

Programmed Playback

Program play must be set when the CD is stopped. You can program up to 20 tracks on a CD or 99 tracks on a MP3 CD.

Notes:

- Programmed playback works with finalized disc only.
1. Press MODE button to select CD mode, then load a CD.
 2. While the CD is stopped, press the PROG button.

3. Display will show Program, and P01 will appear on the display.
4. Press ◀◀ or ▶▶ to select a track number.
5. Press the PROG button again to set the current track.
6. P02 will then be displayed. Repeat steps 4 thru 5 to program the additional tracks.
7. When the selection of track numbers has been finished, press the ▶|| button to start program playback.
8. To cancel the program mode, press the STOP ■ button once.
(Note: when all 20 program tracks are set, press the PROG button and "FI" will appear on the display as a notification that you've filled all 20 programmable tracks.)

Listening to a Vinyl Record

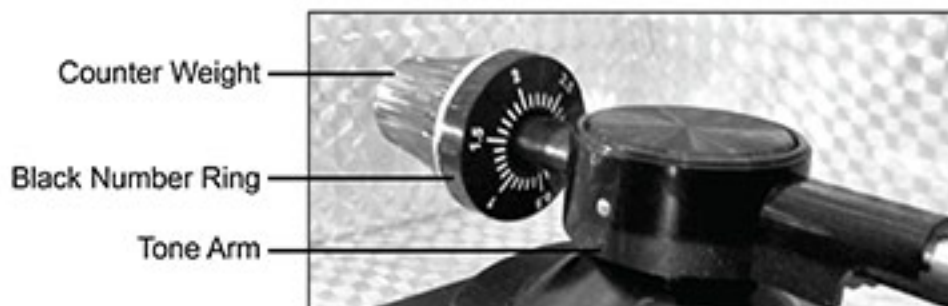
MUST READ!!!

*****The Counter Weight on the tone arm MUST be properly set-up before first use!**

Adjustment of the Counter Weight

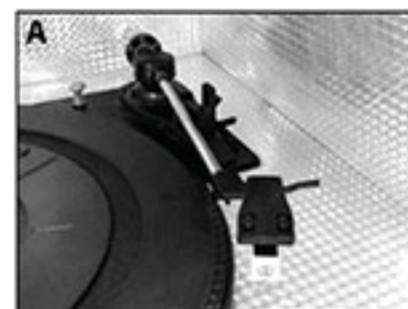


Transportation Screw

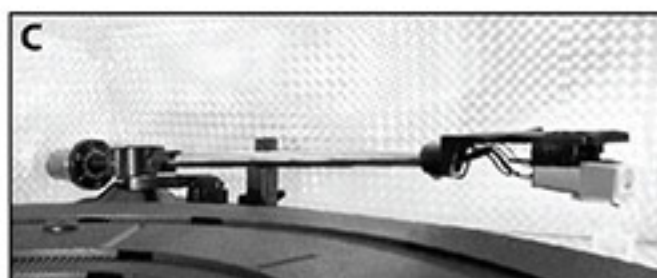


Counter Weight
Black Number Ring
Tone Arm

1. Remove all packing material and remove the clear needle protector. Identify the transportation screw and turn clockwise until it is all the way down (*This is not an adjustment, the purpose of this screw is for transportation protection only*).
2. Identify the silver counter weight at the back of the tone arm.
3. With your hand, lift the tone arm up and move the tone arm away from the tone arm rest but not over the black record platter (see photo A). Be careful that the needle does not hit anything. Rotate the silver counter weight (clockwise OR counter-clockwise) until the tone arm floats naturally. (NOTE: the black number ring will also rotate as you turn the silver counter weight).
4. With the tone arm floating and the stylus protector removed, the goal is create a state of equilibrium in the arm by rotating the counter weight so that the tone arm is perfectly balanced with the counter weight (see photos B and C).



Uneven Tone Arm



Balanced Tone Arm

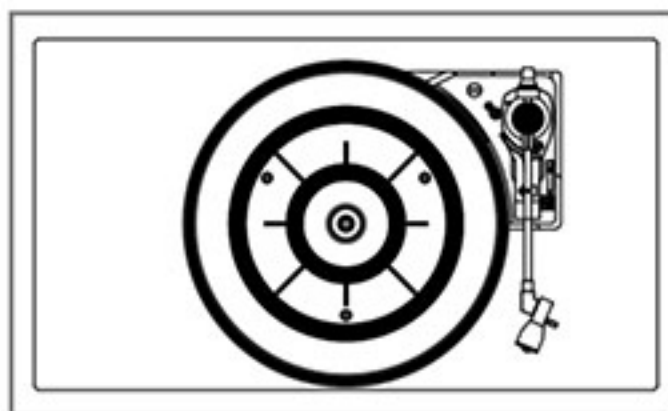
5. Now that the tone arm is resting in a level / balanced position, you must set the proper weight for the needle on this tone arm. Identify the black number ring attached to the counter weight.
6. Carefully rotate only the black number ring so that "0" is at the 12 o'clock position. Be sure to hold the silver rear portion of the counterweight to prohibit its movement. *DO NOT let the silver counter weight turn, the black number dial will turn separately.*
7. Finally, from this "0" reference position, grasp BOTH parts of the counterweight and black number ring and rotate the weight counter-clockwise so that the "2.5" marking on the dial is in the 12 o'clock position.

This will set the tone arm to 2.5 grams of downward force, the recommended tracking weight for this needle (cartridge).

NOTE: The counter weight adjusts the pressure of the needle. If the pressure is too much, the sound will become distorted. If the pressure is too little, track skipping will happen more frequently. At this point, any fine tuning adjustments can be made by simply turning the balance weight very slightly clockwise or counter-clockwise.

LISTENING TO RECORDS

1. Press MODE button to select PHONO Function.
2. Gently open the PHONO door.
**Make sure the silver transportation screw has been turned clockwise all the way down.*
3. Place a vinyl record on the turntable. When playing a 45 RPM record, please use the included adaptor.



4. Select the appropriate speed.



5. Gently push tone arm clip to the right to release the tone arm.
6. Raise the cue lever to lift the tone arm off the tone arm support.
7. Move the tone arm gently to the edge of the record (or the starting point of a track). The turntable will begin to turn.
8. Gently lower the tone arm by slowly releasing the cue lever.
9. When the record reaches to its end, tone arm and rotation stop. Lift the tone arm and place it to tone arm rest manually.

Important:

- Closing the PHONO door will help prevent dust from settling on the turntable.
- Always relock the tone arm clip before transporting the unit.
- Do not place anything on top of the PHONO door, especially while playing a record.
- Remove the needle cover before you balance the tone arm
- Hold tone arm whenever you make any adjustment or action so as to protect the tone arm.
- Do not try to adjust the balance weight while playing a record as this could break the needle and scratch the record.
- Remove the balance weight before transportation to prevent damage or breakage to the unit.

Listening to FM Radio

1. Press the MODE button to select the FM function.
2. Press the ◀◀ or ▶▶ button to manually tune to a desired station
3. You may also press and hold ◀◀ or ▶▶ button to auto scan for a station.
4. Press the SCAN button to auto scan and save the stations, it can save 20 FM stations.
5. Press the ST/MONO button to select stereo or mono mode, when you select mono mode, the display show "ONO". When you select stereo, the display show "Stereo" for 5 seconds, then small dual speakers logo will show.
6. Using the PRE+ or PRE - button you can scan through your preset stations.
(See how to preset a station in the section below.)

Adjusting for Best Reception

FM broadcast: Extend and reposition the FM antenna located on the back of the unit.

Preset Tuning

You can preset and store up to 20 FM radio stations.

1. Select your desired FM station.
2. Press the PROG button or press the OP-CL/MEM button on remote control and the display show P01.
3. Press "PRE+" button or "PRE -" button to select the preset station from P01 to P20, using the "PRE+" or "PRE -" button to choose through the range.
4. Press the PROG button or press the OP-CL/MEM button on remote control to confirm.
5. According to the above way, you can store 20 stations in FM.

Listening to an External Audio Device (Auxiliary Mode)

In AUX (auxiliary) mode, this unit can play audio from an external audio device (iPod, MP3 Player, Portable CD Player, etc.)

CONNECTING VIA AUXILIARY

1. Press the MODE button to select the AUX-IN function.
2. Plug the AUX Cord located on back of the unit into your iPhone/iPod or other MP3 device.

NOTE: Playback functions and operations are only available on your external device.

Listening to an External Audio Device (Bluetooth Mode)

In BT (Bluetooth) mode, this unit can play audio from external devices that have a built-in Bluetooth function.

CONNECTING VIA BLUETOOTH

1. Press MODE button to select the Bluetooth mode.
2. Turn ON the Bluetooth function on your external device.

NOTE: The effective distance between your external device and this apparatus is 10 meters.

3. Wait a moment until "Victrola Jukebox" appears on the paired devices list, then select "Victrola Jukebox" and allow it to connect.

If a window appears and asks for a password, type "0000", press ok on your external device.

4. Once the pairing is completed, an audible beep will sound.
5. Control playback from the unit/remote control or Bluetooth device.
6. To disconnect, press "MODE" button to other functions or turn off the Bluetooth connection from the Bluetooth device.

Maintenance / Proper Handling

Compact Disc Handling

- Always place the disc on the disc tray with the label side facing upward (compact discs can be played/recorded only on one side)
- To remove a disc from its storage case, press down on the center of the case and lift the disc upward, holding it carefully by its edges.
- To clean a disc, wipe the surface from the center hole outward towards the outer edge with a soft, dry cloth.
- Never use such chemicals as record spray, antistatic sprays or fluid, benzine or thinner to clean discs; they will irreparably damage the disc's plastic surface.
- Discs should be returned to their cases after use to protect from dust and scratches.
- Do not expose discs to direct sunlight, high humidity, or high temperature for extend periods of time.
- Printable CD-R/CD-RW discs are not recommended, the label side may become sticky and damage the unit.
- Use a soft oil-based felt-tipped pen to write the information on the label side. Never use a ball-point or hard-tipped pen, as doing so may damage the recorded side.
- Do not use irregularly-shaped CDs (octagonal, heart shaped, business card size, etc), as they will damage the unit.
- Read all precautions supplied with any CD-R or CD-RW disc
- Never handle a disc with dirty fingers.
- Never insert a disc that has a crack on the surface.

How to Replace the Turntable Stylus

Please note: The stylus should last about 300 hours under normal use.

It is recommended that the stylus be replaced as soon as you notice a change in sound quality. 78 RPM records may accelerate stylus wear and may have to be changed sooner.

Removing the Stylus from the Cartridge

1. Set a screwdriver at the tip of the stylus and carefully push down to the direction "A".

WARNING: When applying force to stylus, too much may damage or break the stylus.

2. Pull the stylus out toward the direction "B".

Installing the Stylus

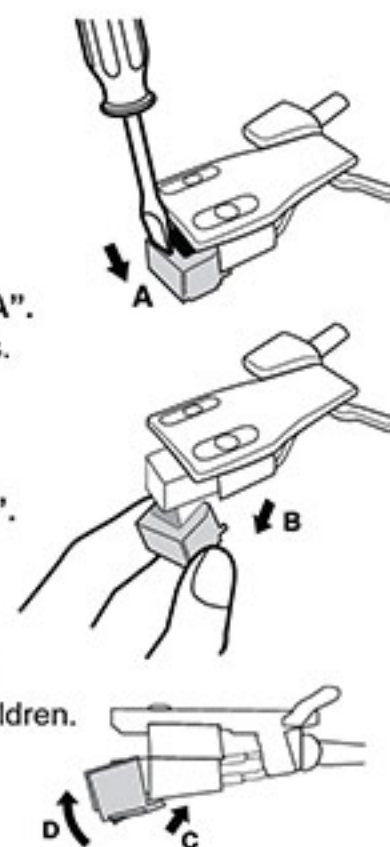
1. Hold the tip of the stylus and insert the other edge by pressing toward direction "C".
2. Push the stylus up toward direction "D" until it locks at the tip.

Caution:

- Do not remove/bend the stylus needle and do not touch the needle to avoid injury.
- Turn off the unit's power before you replace the stylus and keep out of reach of children.

PLEASE CONTACT CUSTOMER SERVICE FOR REPLACEMENT NEEDLES:

www.victrola.com/pages/technical-support



Specifications

GENERAL

Power Requirements.....	AC 120 V ~ 60 Hz
Power Consumption.....	150 W
Dimensions (W x H x D).....	640mm x 1260mm x 320mm (approx.) 25.2 in x 49.6 in x 12.6 in (approx.)
Weight.....	42kgs (approx.) 92.4 lbs (approx.)

AMPLIFIER

Output Power.....	25W+25W+50W (subwoofer)
Frequency Response.....	60 to 20, 000 Hz

SPEAKER SYSTEM

Type.....	1-way
Impedance.....	8 ohms (tweeter), 4 ohms (L&R), 4 ohms (subwoofer)

FM Radio

Range.....	88 to 108 MHz
------------	---------------

CD PLAYER

Frequency Response.....	60 to 20, 000 Hz +/-4 dB
Signal-to-Noise Ratio.....	55 dB (IEC-A)

BLUETOOTH

Bluetooth Version.....	Bluetooth V2.1+EDR
Bluetooth Profiles.....	A2DP, AVRCP
Bluetooth Frequency range.....	2.402GHz-2.480GHz
Operating Distance.....	10 meters (33 ft.)

Troubleshooting Guide

	Symptom	Possible Cause	Solution
GENERAL	• Unit will not power on.	• Unit is unplugged.	• Connect the unit to the AC power supply.
	• No sound output from speakers.	• The volume level is set too low. • The input selector does not match the playback source. • Line out switch (on back of unit) in set to ON position.	• Adjust the volume. • Select the correct input source. • Line out switch (on back of unit) must be on OFF.
	• Noise/Distortion in sound output.	• The unit is too close to a TV set or another interfering device.	• Turn off the TV or other appliance, and relocate the unit.
	• Unit fails to respond.	• It might result from external factors such as ESD (Electro-static discharge).	• Disconnect the power cord and external audio device. Re-plug the power cord after one minute.
FM RADIO	• Cannot listen to any station, or signal appears weak.	• The station is not tuned-in properly. • A TV set is being used nearby and is interfering with the radio reception.	• Properly tune-in the desired station. • Turn-off the interfering TV set.

	<ul style="list-style-type: none"> • The sound is distorted. 	<ul style="list-style-type: none"> • The antenna is not oriented properly. 	<ul style="list-style-type: none"> • Re-orient the antenna until reception improves.
CD PLAYER	<ul style="list-style-type: none"> • CD stops immediately after starting, or unit pauses or stops during play. 	<ul style="list-style-type: none"> • The CD is inserted upside down. • The CD is dusty or dirty or there is condensation on the CD. 	<ul style="list-style-type: none"> • Insert the CD with the printed side right-side up. • Carefully clean and dry the CD.
	<ul style="list-style-type: none"> • No sound. 	<ul style="list-style-type: none"> • The CD player is paused. 	<ul style="list-style-type: none"> • Press the PLAY/PAUSE button.
	<ul style="list-style-type: none"> • CD playback is noisy, or playback stops or skips. 	<ul style="list-style-type: none"> • The CD is scratched, damaged or warped. • The disc is very dirty. 	<ul style="list-style-type: none"> • Replace CD with an undamaged one. • Carefully clean the CD.
	<ul style="list-style-type: none"> • Buttons are not functioning correctly. 	<ul style="list-style-type: none"> • The unit is processing information • The unit needs to be restarted 	<ul style="list-style-type: none"> • Wait until the unit finishes processing. • Turn the unit off, then on again.
AUX	<ul style="list-style-type: none"> • No sound output with external audio device plugged into rear AUX in jack. 	<ul style="list-style-type: none"> • AUX in jack is unplugged. • Unit is not in proper Mode • Check External Device Volume 	<ul style="list-style-type: none"> • Make sure the Auxiliary Cable is plugged into your sources. • Select proper AUX mode
BLUETOOTH	<ul style="list-style-type: none"> • No sound 	<ul style="list-style-type: none"> • The unit is not switched to Bluetooth mode • Your device's and/or the unit's volume is not turned up. • Your device is too far from the unit or there're some obstacle between your device and the unit 	<ul style="list-style-type: none"> • Ensure the unit is switched to BT mode. • Move your Bluetooth device closer to unit • Turn up the volume on your portable device and/or the unit. • Turn OFF your Bluetooth device and unit. Then power them both back ON
	<ul style="list-style-type: none"> • Sound has a lot of static 	<ul style="list-style-type: none"> • Your device is too far away 	<ul style="list-style-type: none"> • Bring your device closer to the Jukebox
	<ul style="list-style-type: none"> • Unable to pair with a Bluetooth device 	<ul style="list-style-type: none"> • Your device doesn't have Bluetooth connectivity. • The Bluetooth pairing is not successful 	<ul style="list-style-type: none"> • Confirm that your device is Bluetooth compatible. • Re-pair the unit and device again.
PHONO	<ul style="list-style-type: none"> • Decline in turntable audio performance • Turntable skips or plays slow 	<ul style="list-style-type: none"> • The turntable stylus is worn out • Counterweight is incorrectly set. 	<ul style="list-style-type: none"> • Replace the stylus. • Reset counter weight on tone arm.

STATEMENT

For further assistance with your product, call Vicrola at

TOLL FREE# 1-877-ITECH-97 (1-877-483-2497).

Please note: As a result of continual improvements, the design and specifications of this product are subject to change without notice.

Bluetooth is a registered trademark of Bluetooth SIG, Inc.

Other trademarks and trade names are those of their respective owners.

Made in China.

FCC Statement

This device complies with Part 15 of the FCC Rules. Operation is subject to the following two conditions: (1) This device may not cause harmful interference, and (2) this device must accept any interference received, including interference that may cause undesired operation.

NOTE: This equipment has been tested and found to comply with the limits for a Class B digital device, pursuant to Part 15 of the FCC Rules. These limits are designed to provide reasonable protection against harmful interference in a residential installation. This equipment generates uses and can radiate radio frequency energy and, if not installed and used in accordance with the instructions, may cause harmful interference to radio communications. However, there is no guarantee that interference will not occur in a particular installation. If this equipment does cause harmful interference to radio or television reception, which can be determined by turning the equipment off and on, the user is encouraged to try to correct the interference by one of the following measures:

- Reorient or relocate the receiving antenna.
- Increase the separation between the equipment and receiver.
- Connect the equipment into an outlet on a circuit different from that to which the receiver is connected.
- Consult the dealer or an experienced radio/TV technician for help.

WARNING: Any changes or modifications not expressly approved by the party responsible for compliance could void the user's authority to operate this equipment.

The device must not be co-located or operating in conjunction with any other antenna or transmitter.

To maintain compliance with the FCC's RF exposure guidelines, place the product at least 20cm from nearby persons.

California PROP 65 Warning

"WARNING" This product contains chemicals known to the State of California to cause birth defects or other reproductive harm. For more information on these regulations and a list of chemicals, log on the following website address:

<http://www.oehha.ca.gov/prop65.html>

Warranty

Victrola is a registered trademark of Innovative Technology Electronics LLC.

Innovative Technology Electronics LLC.

Limited Warranty: 90 Days Labor, One Year Parts

Innovative Technology Electronics LLC. (IT) warrants the product to be free from "Defects" in materials under normal use for a period of "One Year" from the date of the original purchase. The Warranty is "Not" transferable. IT agrees, within the initial "90 Day" period, to repair or replace the product if it is determined to

be defective at "No Charge". It is further agreed that IT will cover the cost to repair or replace damaged "Parts" only for a total period of "One Year" from the date of the original purchase. The warranty does not cover cosmetic damage, antennas, AC cords, cabinets, headbands, ear-pads, or damage due to line power surges, connection to improper voltage supply or settings, misuse, mishandling, accident, acts of God or attempted repair by an unauthorized service agent.

To obtain service, the purchaser MUST present an original sales receipt / proof of purchase. Please contact us at www.victrola.com to request an RMA (Return Material Authorization) number to return products for service or replacement. Returns without an RMA number on the package will be refused and returned to sender. Upon receipt of the returning item and our full inspection (IT) may issue a replacement to customer for the same item or of one that has equivalent value and features. To return an item, supply full name, return address, phone number, item purchased, receipt of purchase and reason for return to obtain RMA number.

All returns must be in the original packaging or reasonable substitute to prevent damage. Customer "Must" include full name, shipping address and telephone number inside of package. No return will be shipped back to a PO Box or APO address.

Please include your check or money order in the amount of:

- USD \$5.00 for items \$10.00 to \$39.99. (Price Paid Per Unit)
- USD \$10.00 for items \$40.00 to \$99.99. (Price Paid Per Unit)
- USD \$16.00, for items \$100.00 and up. (Price Paid Per Unit)
- Shipping fees are non-refundable

to be payable to Innovative Technology Electronics LLC. (for handling and return shipping charges) (IT) will not be responsible for delays or unprocessed claims resulting from a purchaser's failure to provide any / all of the necessary information. Send all inquiries or RMA request via our website www.victrola.com/pages/technical-support.

Innovative Technology Electronics LLC.

1 Channel Drive, Port Washington, NY 11050

Toll free: 1-877-483-2497

Website for support: www.victrola.com/pages/technical-support

There are no express warranties except as listed above. REPAIR OR REPLACEMENT AS PROVIDED UNDER THIS WARRANTY IS THE EXCLUSIVE REMEDY OF THE CUSTOMER, (IT) SHALL NOT BE LIABLE FOR ANY INCIDENTAL OR CONSEQUENTIAL DAMAGES FOR BREACH OF ANY EXPRESS OR IMPLIED WARRANTY ON THIS PRODUCT EXCEPT TO THE EXTENT PROHIBITED BY APPLICABLE LAW. ANY IMPLIED WARRANTY OF MERCHANTABILITY OR FITNESS FOR A PARTICULAR PURPOSE ON THIS PRODUCT IS LIMITED IN DURATION TO THE DURATION OF THIS WARRANTY.

Some states do not allow the exclusion or limitation of incidental or consequential damages, or limitations on how long an implied warranty lasts, so the above exclusions or limitations may not apply to you. This warranty gives you specific legal rights and you may also have other rights, which vary from state to state.