

VICTROLA™

Wooden Stand with Record Holder

Model: VA-30

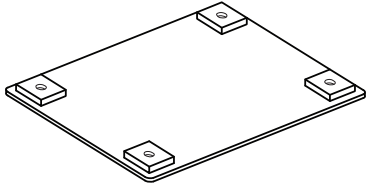
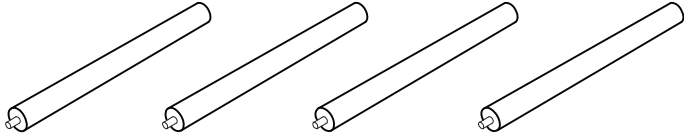
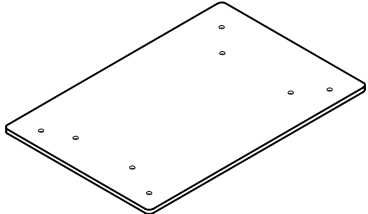
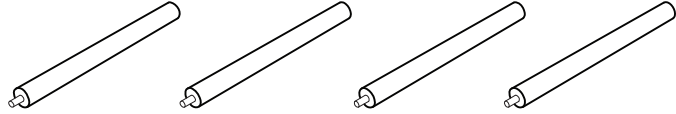
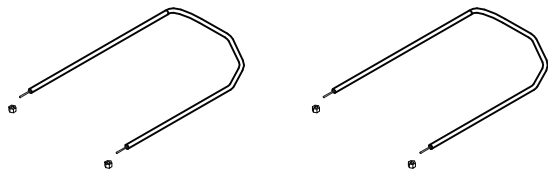


Instruction Manual

PLEASE READ THIS INSTRUCTION MANUAL CAREFULLY
BEFORE USE AND KEEP IT FOR FUTURE REFERENCE.

ASSEMBLY INSTRUCTIONS

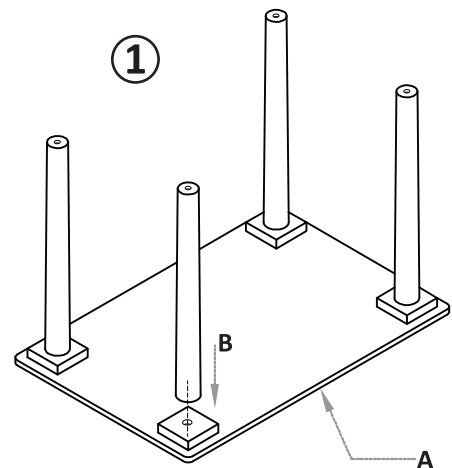
PARTS LIST

A	Shelf (Top): 1 (PC)	
B	Top Legs: 4 (PCS)	
C	Shelf (Bottom): 1 (PC)	
D	Bottom Legs: 4 (PCS)	
E	Record Racks: 2 (PCS) Record Rack Nuts: 4 (PCS)	

ASSEMBLING THE STAND

STEP 1:

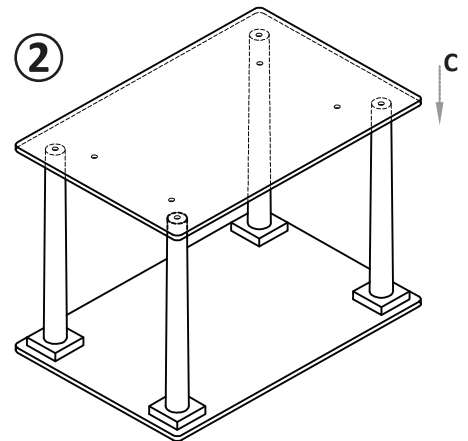
- Turn the Shelf (Top) (A) upside down on a flat, clean surface.
- Place a Top Leg (B) into each hole of faceplate and tighten.
- Repeat to assemble the remaining Top Legs - 4 total.



ASSEMBLY INSTRUCTIONS

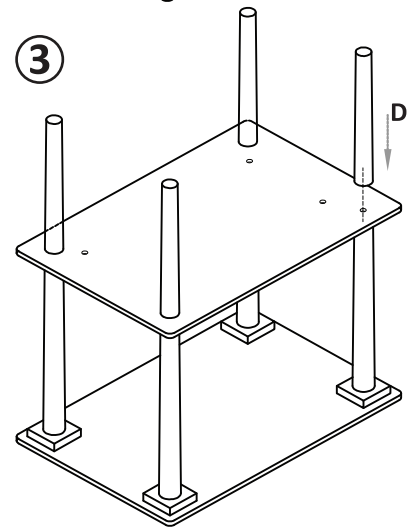
STEP 2:

- Place the Shelf (Bottom) (C) on the base of the (4) Top Legs, aligning the holes.



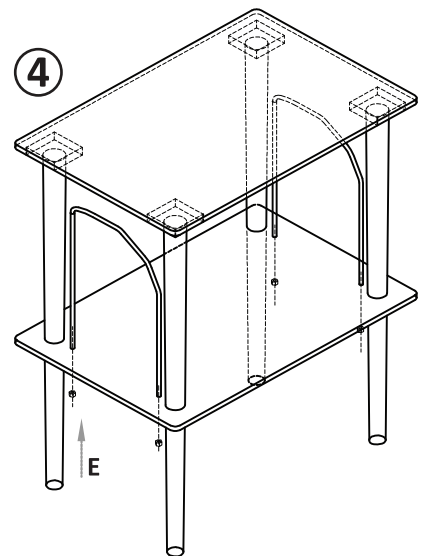
STEP 3:

- Place the threaded end of one Bottom Leg (D) through each hole and into the corresponding Top Leg and fasten until tight.
- With all four Bottom Legs (D) in place, turn the fully assembled unit upright with the help of an assistant.



STEP 4:

- Insert first Record Rack (E) through the corresponding holes in the Shelf (Bottom) (C) and use a corresponding nut to securely attach (hand tighten only). Repeat for second Record Rack (E).



PLEASE NOTE

- Read, heed and follow all instructions in the manual before operating.
- Keep this manual in a safe place for future reference.
- Choose unit location carefully. Avoid placing it in direct sunlight or close to a heat source. Also avoid locations subject to vibrations and excessive dust, cold or moisture.
- Do not use liquid cleaners or aerosol cleaners. Use a damp cloth for cleaning.
- This product should be moved with care to avoid damage or injury. Unplug power cord, remove music center and records before moving Wooden Stand.
- Do not sit or stand on unit to avoid injury - *only place music center and records on Wooden Stand.*

SPECIFICATIONS

Weight: 4.9 KGS (10.8lbs) approx.

Victrola is a registered trademark of Innovative Technology Electronics LLC.

Innovative Technology Electronics LLC.

Limited Warranty: 90 Days Labor, One Year Parts

Innovative Technology Electronics LLC. (IT) warrants the product to be free from "Defects" in materials under normal use for a period of "One Year" from the date of the original purchase. The Warranty is "Not" transferable. IT agrees, within the initial "90 Day" period, to repair or replace the product if it is determined to be defective at "No Charge". It is further agreed that IT will cover the cost to repair or replace damaged "Parts" only for a total period of "One Year" from the date of the original purchase. The warranty does not cover cosmetic damage, antennas, AC cords, cabinets, headbands, ear-pads, or damage due to line power surges, connection to improper voltage supply or settings, misuse, mishandling, accident, acts of God or attempted repair by an unauthorized service agent.

To obtain service, the purchaser MUST present an original sales receipt / proof of purchase. Please contact us at www.victrola.com to request an RMA (Return Material Authorization) number to return products for service or replacement. Returns without an RMA number on the package will be refused and returned to sender. Upon receipt of the returning item and our full inspection (IT) may issue a replacement to customer for the same item or of one that has equivalent value and features. To return an item, supply full name, return address, phone number, item purchased, receipt of purchase and reason for return to obtain RMA number.

All returns must be in the original packaging or reasonable substitute to prevent damage. Customer "Must" include full name, shipping address and telephone number inside of package. No return will be shipped back to a PO Box or APO address.

Please include your check or money order in the amount of:

- **USD \$5.00 for items \$10.00 to \$39.99 (Price Paid Per Unit)**
- **USD \$10.00 for items \$40.00 to \$99.99 (Price Paid Per Unit)**
- **USD \$16.00 for items \$100.00 and up (Price Paid Per Unit)**
- **Shipping fees are non-refundable**

to be payable to Innovative Technology Electronics LLC. (for handling and return shipping charges) (IT) will not be responsible for delays or unprocessed claims resulting from a purchaser's failure to provide any / all of the necessary information. Send all inquiries or RMA request via our website www.victrola.com/pages/technical-support.

Innovative Technology Electronics LLC.

1 Channel Drive

Port Washington, NY 11050

Toll free: 1-877-483-2497

Website for support: www.victrola.com/pages/technical-support

There are no express warranties except as listed above.

REPAIR OR REPLACEMENT AS PROVIDED UNDER THIS WARRANTY IS THE EXCLUSIVE REMEDY OF THE CUSTOMER, (IT) SHALL NOT BE LIABLE FOR ANY INCIDENTAL OR CONSEQUENTIAL DAMAGES FOR BREACH OF ANY EXPRESS OR IMPLIED WARRANTY ON THIS PRODUCT EXCEPT TO THE EXTENT PROHIBITED BY APPLICABLE LAW. ANY IMPLIED WARRANTY OF MERCHANTABILITY OR FITNESS FOR A PARTICULAR PURPOSE ON THIS PRODUCT IS LIMITED IN DURATION TO THE DURATION OF THIS WARRANTY.

Some states do not allow the exclusion or limitation of incidental or consequential damages, or limitations on how long an implied warranty lasts, so the above exclusions or limitations may not apply to you. This warranty gives you specific legal rights and you may also have other rights, which vary from state to state.

Made in China.