



# Glowing Bluetooth Pool Speaker

Model: ITSBO-512



## Instruction Manual

Please read these instructions carefully before using and keep for future reference.

# OPERATION

## ON/OFF BUTTON:

Press the ON/OFF button located on the bottom of the product to turn the unit ON or OFF.

## BATTERY CHARGING:

Before using the product, charge the speaker for 6 to 8 hours by:

1. Insert the adapter plug into the charging port and connect the external adapter into an electrical outlet.
2. Place the Pool Speaker on the charging base.
3. The LED Charging Indicator will light up Red while charging, and will turn Green when fully charged.

*NOTE: Disconnect the external adapter from the electrical outlet when not in use or when the speaker is fully charged.*

*CAUTION: The built-in rechargeable battery is not replaceable. Do not remove or replace it, do not throw in the trash or in a fire. Do not dispose device in standard garbage disposal sites. Dispose of device at available Battery Recycling Sites after fully discharging battery. Not doing so may violate local disposal laws and regulations. Please refer to local regulations for proper battery disposal.*

**WARNING:** • Keep the external adapter out of reach of children.

- Never attempt to open the external adapter.

## CONNECTING VIA BLUETOOTH:

*Make sure the Pool Speaker is powered ON before connecting your device.*

1. Press and Hold the Bluetooth Button (located on the Remote Control), there will be an audible activation beep once in Bluetooth Pairing Mode.
2. Once in Bluetooth Pairing Mode, select "ITSBO-512" from your device's Bluetooth Settings Menu. Another audible beep will sound once your device is connected.
3. To disconnect your Bluetooth Device, Press and Hold the Bluetooth Mode Button, there will be an audible deactivation beep indicating that the device has been disconnected from Bluetooth Mode.

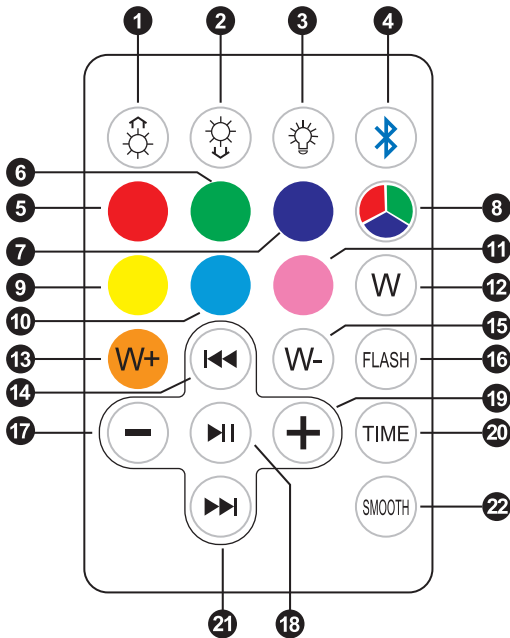
## SETTING TIMER:

The Pool Speaker's Timer function allows the product to automatically turn off after a set amount of time. In order to set the timer, press the TIME Button (located on the Remote Control) once to change color, each color indicates a different Timer Duration. The Pool Speaker will stay lit the LED Color that is chosen for the entire Timer Duration. Follow the Guide Below:

LED Color	Timer Duration
Red	30 min.
Green	60 min.
Blue	90 min.
Yellow	120 min.
Light Blue	150 min.
Pink	180 min.

*\*Note: To deactivate the Timer, Press the TIME Button until LED Color is White.*

## REMOTE CONTROL



- 1 **Brightness Up**
- 2 **Brightness Down**
- 3 **LED ON/OFF**
- 4 **Bluetooth** - See CONNECTING VIA BLUETOOTH
- 5 **Red LED**
- 6 **Green LED**
- 7 **Blue LED**
- 8 **Manually Switch LED Color**
- 9 **Yellow LED**
- 10 **Light Blue LED**
- 11 **Pink LED**
- 12 **White LED**
- 13 **Warm LED - Increase White**
- 14 **Previous Track**
- 15 **Warm LED - Decrease White**
- 16 **Flash** - Dancing LED Colors along with Music
- 17 **Volume Down**
- 18 **Play/Pause**
- 19 **Volume Up**
- 20 **Time** - See SETTING TIMER
- 21 **Next Track**
- 22 **Smooth** - Automatic Smooth Transition of LED Colors

### REPLACING REMOTE CONTROL BATTERIES:

- Remove the old battery by pressing the tab on the side of the battery cover and then sliding it out from the remote control.
- Take notice of the positive (+) and negative (-) direction of the battery. Make sure that the new battery (CR2025) is inserted the right way.
- Dispose of the old battery responsibly.

## SPECIFICATIONS

Ambient Temperature for Operation.....	-14 °C to 35 °C (7 °F to 95 °F)
LEDs.....	12 x RGB, 0.18W per RGB, 7 Colors
Battery .....	Rechargeable Lithium
	3.7V, 2000mAh (7.4Wh)
Remote Control Battery .....	CR2025 (3V)
Remote Control Range.....	10 meters (30 feet)
Charging Time .....	Approx. 6 hours
Operation Time.....	Approx. 4 to 6 hours
Charger .....	Input: 100-240V AC, 0.6 Amp (Max), Output: 7.5V 0.6A (UL Approved)

*NOTE: As a result of continual improvements, the design and specifications of this product are subject to change without notice.*

## WARNINGS AND PRECAUTIONS

*These products and their packaging are not toys; please keep out of reach of children.*

- The remote control and charger are not waterproof and must be kept in a dry location at all times.
- Only use the power adapter provided to charge this product.
- Never charge the product in a pool, water or rain; charge in a dry, indoor location.
- Disconnect the power adapter from power source when not in use.
- Do not stand or jump on this product.
- Do not use this product if it is cracked or damaged.
- Keep the product away from chemicals and heat.
- Do not attempt to open the product.

### **Outdoor Use:**

- The external adapter should not be used outdoors, not exposed to rain, humidity, liquid, or heat.
- The remote control should not be exposed to rain, humidity, any liquid, or heat.
- Do not use these products outdoors if they are cracked or damaged.
- Do not use this product as a flotation device.
- Never charge this product outdoors.
- Floating Pool speaker has a waterproof level of protection, but should NOT be fully submerged as it may damage the speaker/lights.

### **General Care:**

It is recommended that after use, products are turned off, rinsed using clean water and dried using a soft cloth. Store these products out of reach of children and out of direct sunlight when not in use.

## FCC STATEMENT

Changes or modifications not expressly approved by the party responsible for compliance could void the user's authority to operate the equipment. This equipment has been tested and found to comply with the limits for a Class B digital device, pursuant to part 15 of the FCC Rules. These limits are designed to provide reasonable protection against harmful interference in a residential installation. This equipment generates, uses and can radiate radio frequency energy and, if not in-stalled and used in accordance with the instructions, may cause harmful interference to radio communications. However, there is no guarantee that interference will not occur in a particular installation. If this equipment does cause harmful interference to radio or television reception, which can be determined by turning the equipment off and on, the user is encouraged to try to correct the interference by one or more of the following measures:

- Reorient or relocate the receiving antenna.
- Increase the separation between the equipment and receiver.
- Connect the equipment into an outlet on a circuit different from that to which the receiver is connected.
- Consult the dealer or an experienced radio / TV technician for help.

This equipment complies with the FCC RF radiation exposure limits set forth for an uncontrolled environment. This equipment should be installed and operated with a minimum distance of 20 centimeters between the radiator and your body.

## IC STATEMENT

This device complies with Industry Canada Licence-exempt RSSs. Operation is subject to the following two conditions: (1) this device may not cause harmful interference, and (2) this device must accept any interference, including interference that may cause undesired operation of the device.

Le présent appareil est conforme aux CNR d'Industrie Canada applicables aux appareils radio exempts de licence. L'exploitation est autorisée aux deux conditions suivantes : (1) l'appareil ne doit pas produire de brouillage, et (2) l'utilisateur de l'appareil doit accepter tout brouillage radioélectrique subi, même si le brouillage est susceptible d'en compromettre le fonctionnement.

# IT WARRANTY

## **Innovative Technology Electronics LLC.**

### **Limited Warranty: 90 Days Labor, One Year Parts**

Innovative Technology Electronics LLC. (IT) warrants the product to be free from "Defects" in materials under normal use for a period of "One Year" from the date of the original purchase. The Warranty is "Not" transferable. IT agrees, within the initial "90 Day" period, to repair or replace the product if it is determined to be defective at "No Charge". It is further agreed that IT will cover the cost to repair or replace damaged "Parts" only for a total period of "One Year" from the date of the original purchase. The warranty does not cover cosmetic damage, antennas, AC cords, cabinets, headbands, ear-pads, or damage due to line power surges, connection to improper voltage supply or settings, misuse, mishandling, accident, acts of God or attempted repair by an unauthorized service agent.

**To obtain service, the purchaser MUST present an original sales receipt / proof of purchase.**

**Please contact us at [www.ithomeproducts.com](http://www.ithomeproducts.com) to request an RMA (Return Material Authorization) number to return products for service or replacement.** Returns without an RMA number on the package will be refused and returned to sender. Upon receipt of the returning item and our full inspection (IT) may issue a replacement to customer for the same item or of one that has equivalent value and features. To return an item, supply full name, return address, phone number, item purchased, receipt of purchase and reason for return to obtain RMA number.

All returns must be in the original packaging or reasonable substitute to prevent damage. Customer "Must" include full name, shipping address and telephone number inside of package. No return will be shipped back to a PO Box or APO address.

Please include your check or money order in the amount of

- **USD \$5.00 for items \$10.00 to \$39.99 (Price Paid Per Unit)**
- **USD \$10.00 for items \$40.00 to \$99.99 (Price Paid Per Unit)**
- **USD \$16.00 for items \$100.00 and up (Price Paid Per Unit)**
- **Shipping fees are non-refundable**

to be payable to Innovative Technology Electronics LLC. (for handling and return shipping charges) (IT) will not be responsible for delays or unprocessed claims resulting from a purchaser's failure to provide any / all of the necessary information. Send all inquiries or RMA request via our website [www.ithomeproducts.com/support](http://www.ithomeproducts.com/support).

Innovative Technology Electronics LLC.

1 Channel Drive, Port Washington, NY 11050

Toll free: 1-877-483-2497

Website for support: [www.ithomeproducts.com/support](http://www.ithomeproducts.com/support)

There are no express warranties except as listed above.

REPAIR OR REPLACEMENT AS PROVIDED UNDER THIS WARRANTY IS THE EXCLUSIVE REMEDY OF THE CUSTOMER. (IT) SHALL NOT BE LIABLE FOR ANY INCIDENTAL OR CONSEQUENTIAL DAMAGES FOR BREACH OF ANY EXPRESS OR IMPLIED WARRANTY ON THIS PRODUCT EXCEPT TO THE EXTENT PROHIBITED BY APPLICABLE LAW. ANY IMPLIED WARRANTY OF MERCHANTABILITY OR FITNESS FOR A PARTICULAR PURPOSE ON THIS PRODUCT IS LIMITED IN DURATION TO THE DURATION OF THIS WARRANTY.

Some states do not allow the exclusion or limitation of incidental or consequential damages, or limitations on how long an implied warranty lasts, so the above exclusions or limitations may not apply to you. This warranty gives you specific legal rights and you may also have other rights, which vary from state to state.

*Bluetooth is a registered trademark of Bluetooth SIG, Inc. Other trademarks and trade names are those of their respective owners.*

Made in China.