



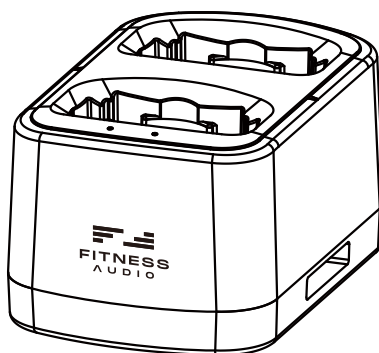
Operation manual

HC-24

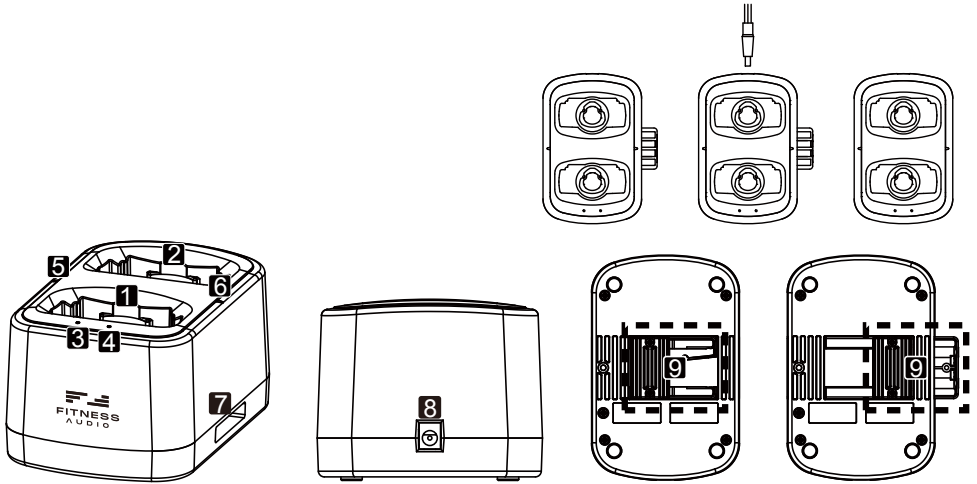
Dual-Slot Charging Station



9001:2015



Parts and functions



1. Charging slot A
2. Charging slot B
3. Charging indicator A
4. Charging indicator B
5. Power sharing indicator (LEFT unit)
6. Power sharing indicator (RIGHT unit)
7. Power sharing mortise
8. DC input
9. Power sharing extension

Operation

1. Connect the adaptor to a wall outlet.
2. Insert the transmitter onto the charger.
3. Indicator LED:
SOLID RED: during charging.
SOLID GREEN: fully charged.
Charging process takes about 5 hours. (Using battery 1.2V 2100mAH. Transmitter refers to indicator.)
4. The power sharing allows series connection for simultaneous charging of max 6 transmitters. Both chargers' power status can be read by individual indicator ③ or ④ on the master unit, which turns on if connected. Connect up to 3 chargers to one power supply.
5. This charger adopts intelligent compensation charging/control circuit for output-short prevention and user-friendly operation.

Note: If the red LED doesn't light up or keeps flashing during the charging process, it indicates the charging contacts error, the battery quality is poor, or has an output short. Please reposition the transmitter or replace the batteries with new ones and ensure the correct connection between the charger and transmitter and then restart the charging process.

Fitness Audio

Website: www.fitnessaudionetwork.com
Manufactured for Fitness Audio Network P/L
Unit 17 The Bourke Centre, 110 -116 Bourke
Road, ALEXANDRIA, NSW 2015 AUSTRALIA
Made in Taiwan



12I2333A