



GameSir

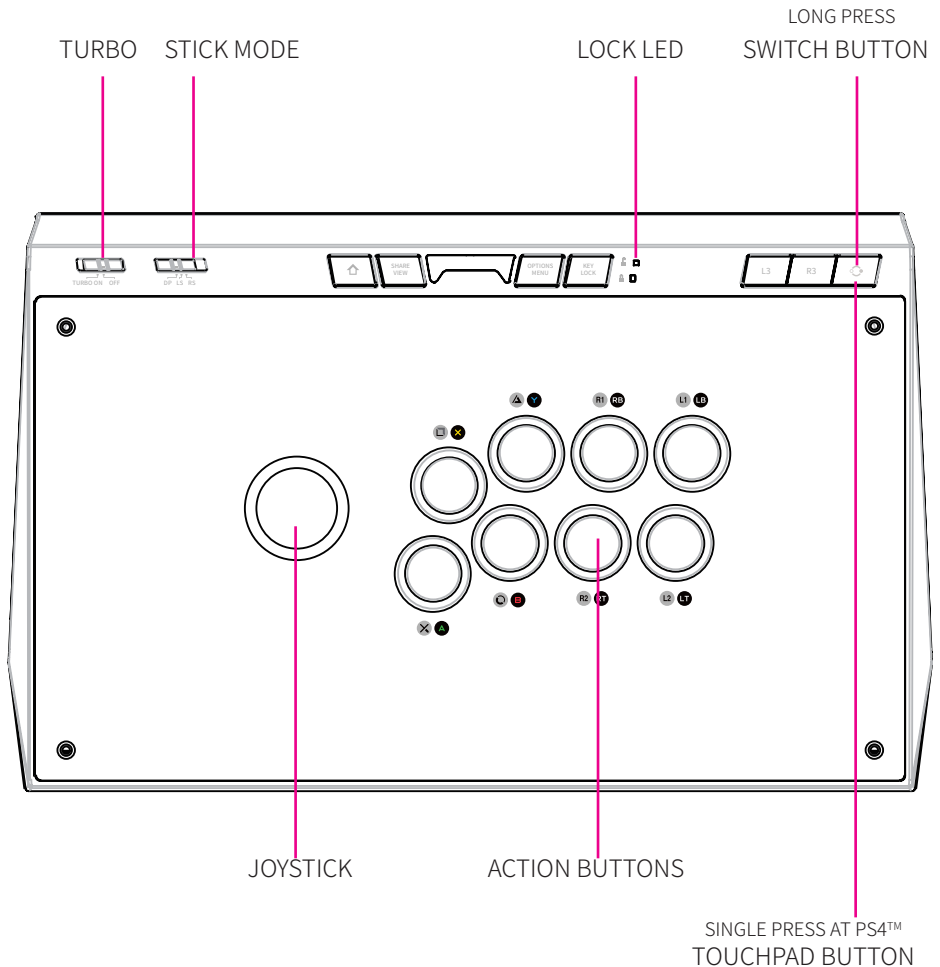
Universal Arcade Fightstick

For PC, PS4™, XBOX One™ and Android

USER MANUAL

Package Content:

- Universal Arcade Fightstick x 1
- Hex Screw Driver x 1
- USB Cable (1m) x 1
- User Manual x 1



SHARE/VIEW

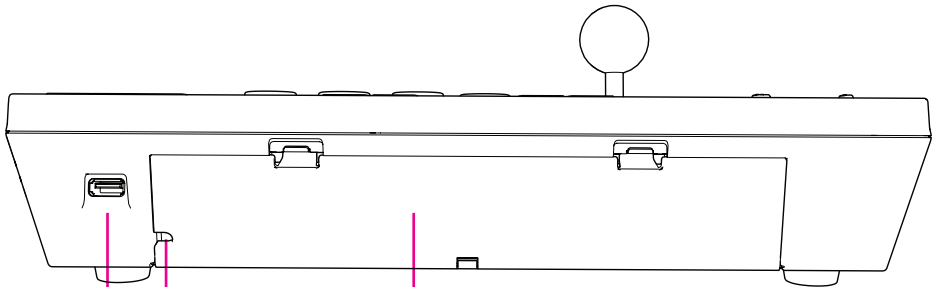
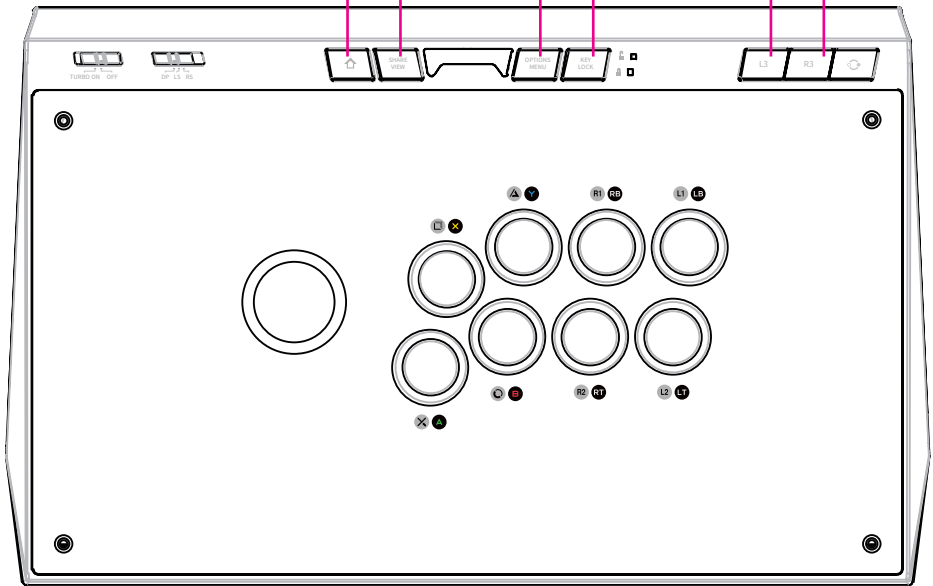
Key Lock

R3

HOME BUTTON

OPTIONS/MENU

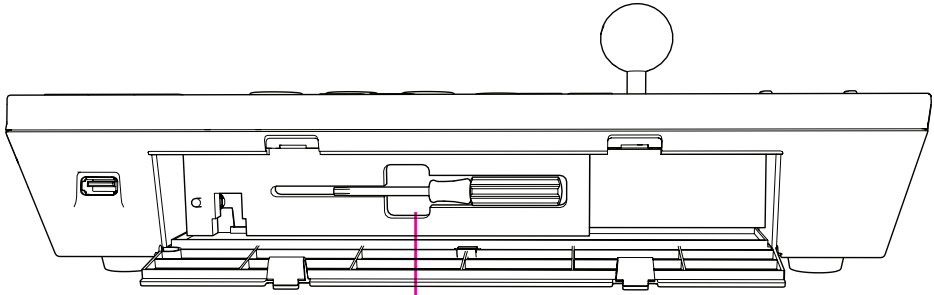
L3



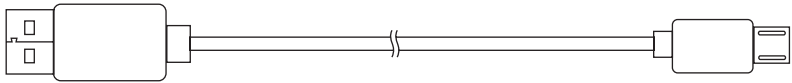
USB IN

CABLE OUT

STORAGE COVER



SCREW DRIVER



USB CABLE (1m)

Description:

- Precise and robust Sanwa Denshi parts, stick and buttons
- Vewlix Style 8 button arcade layout ideal for all fighting games
- L3, R3 buttons for added game play options
- Turbo mode/switch for all 8 action buttons
- “Key Lock” switch to enable ONLY all 8 action buttons to avoid slip-ups
- Directional input toggle switch between Dpad, Left Analog Stick and Right Analog Stick
- Customizable faceplate option, allows you the ability to create your own artwork and designs
- Discreet, simple and tidy storage space for cable and spare replaceable buttons when not in use
- 3 meter long USB cable for connecting to console
- Includes a USB cable to connect with PS4/XB1 controller
- Compatible with PS4™, PS4™ Slim, PS4™ Pro, Xbox One™, Xbox One™ S, PC & Android

PC / Android Instruction:

1. Take out the built-in USB cable from the storage space at the back of the arcade stick.
2. Connect the USB head to the USB port of your PC / Android device.
3. The arcade stick will automatically connect to the Xinput mode ready to play.
4. If you wish to switch to Dinput mode, hold the Switch button for 2 secs, the two Lock LEDs will flash alternately indicating change to Dinput mode (lights will flash 3 times after 30 seconds then back to normal to indicate the KEYLOCK status). To revert back to Xinput mode hold the Switch button for 2 seconds.

PS4™ Instruction:

1. Take out the built-in USB cable from the storage space at the back of the arcade stick.
2. Connect the USB head to the USB port of PS4™ Console.
3. Holding the Switch button for 2 secs, the two Lock LEDs will flash alternately indicating change to console mode ready for connection to PS4™ controller.
4. Using the USB cable (1m) connect the microUSB head to the microUSB port at the top PS4™ controller, then connect the USB head to the USB port at the back of the arcade stick. The two Lock LEDs will both turn ON for 3 seconds indicating the PS4™ controller successfully connected to the arcade stick then back to normal to indicate

* Please turn OFF the PS4 Controller before connecting to the Arcade Stick

the KEYLOCK status. The arcade stick is now ready to begin playing. Please press “HOME” button to continue. Keep the USB connected to your PS4™ controller and arcade stick while in play.

5. If the PS4™ controller did not successfully connect to the arcade stick the two LOCK LEDs will both flash 3 times then back to normal to indicate the KEYLOCK status. Please remove the USB cable from the USB port at the back of the arcade stick, repeat steps 2, 3 & 4.

* Single touch “Switch” Button will trigger the same function as press down the PS4™ controller Touchpad.

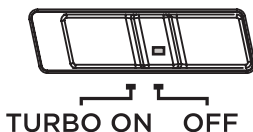
Xbox One™ Instruction:

1. Take out the built-in USB cable from the storage space at the back of the arcade stick.
2. Connect the USB head to the USB port of Xbox One™ Console.
3. Holding the Switch button for 2 secs, the two Lock LEDs will flash alternately indicating change to console mode ready for connection to Xbox One™ controller.
4. Using the USB cable (1m) connect the microUSB head to the microUSB port at the top XBOX ONE™ controller, then connect the USB head to the USB port at the back of the arcade stick. The two Lock LEDs will both turn ON for 3 seconds indicating the Xbox One™ controller successfully connected to the arcade stick then back to normal to indicate the KEYLOCK status. The arcade stick is now ready to begin playing. Please keep the USB connected to your Xbox One™ controller and arcade stick while in play.

5. If the Xbox One™ controller did not successfully connect to the arcade stick the two LOCK LEDs will both flash 3 times then back to normal to indicate the KEYLOCK status. Please remove the USB cable from the USB port at the back of the arcade stick, repeat steps 2, 3 & 4.

TURBO Function:

TURBO function can be applied to all 8 action buttons.



TURN ON:

Press and hold the buttons which you would like to TURBO, slide the TURBO switch to "TURBO ON" still holding the action buttons down enables the TURBO function. These buttons will now have an output command of 10 times per second.

TURN OFF:

Slide the TURBO switch from "TURBO ON" to "OFF", this disables the TURBO function.

STICK MODE Switch:

This arcade stick supports a 3 mode switch for Joystick:

- 1) DP: D-Pad
- 2) LS: Left Stick
- 3) RS: Right Stick



Switch between modes to make the Joystick output either D-pad, Left Stick or Right Stick.

* Most games work in DP and LS modes.

KEY LOCK:

KEY LOCK button allows you to lock certain features to avoid accidental disruption whilst you are playing a game.

The following five buttons lock when you press the KEY LOCK button.

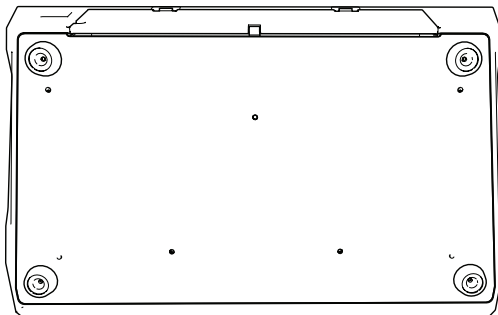
- 1) HOME
- 2) SHARE/VIEW
- 3) OPTIONS/MENU
- 4) L3
- 5) R3



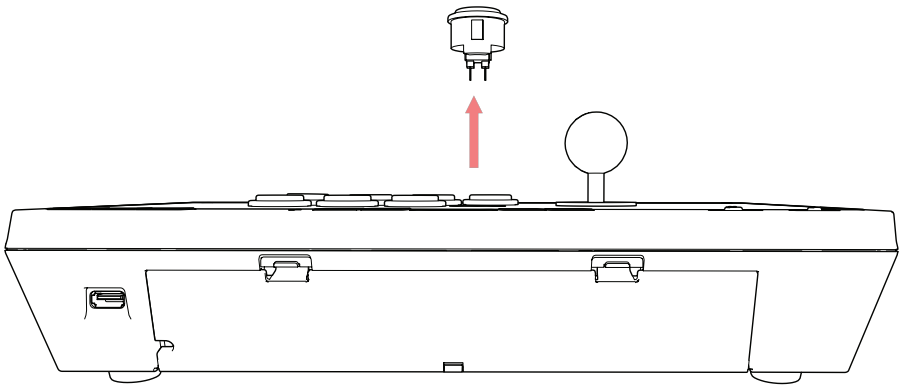
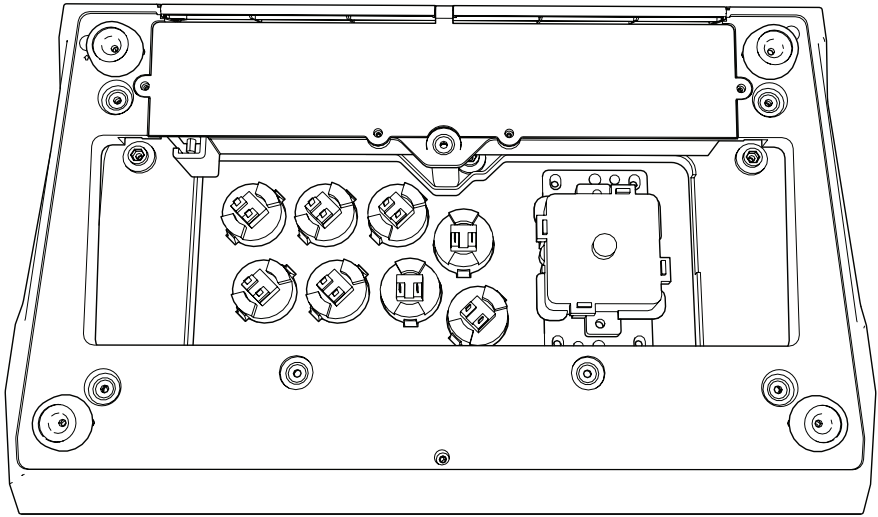
The LOCK LED will turn ON when above buttons have been locked, press the KEY LOCK button again to unlock these buttons, the UNLOCK LED will turn ON.

Button Replacement:

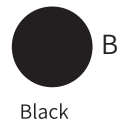
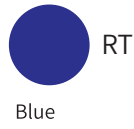
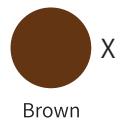
1. Take out the screw driver from the storage space at the back of the arcade stick.
2. Detach the 7 screws at the bottom of arcade stick and remove the bottom plate.



3. Disconnect the connect cable from the button you would like to replace, press in the 2 clips at the side of the button to release.

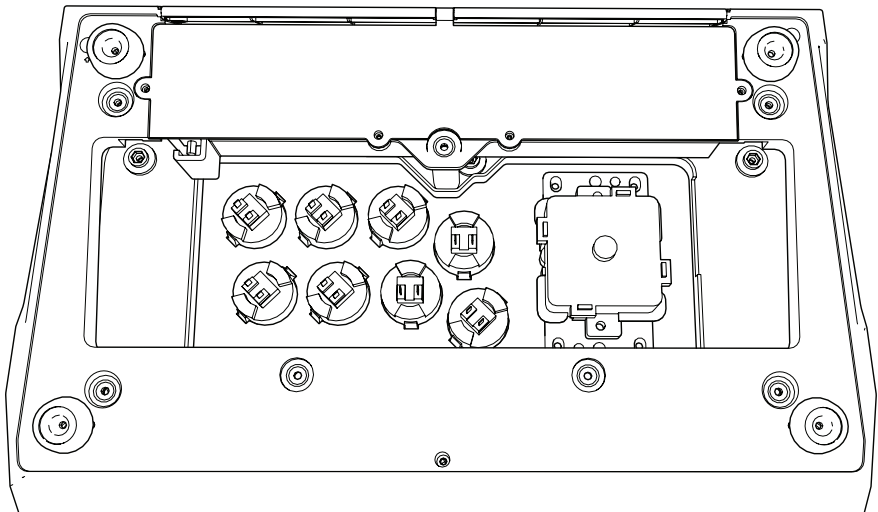


4. Install the new button from the top, then rotate the button until you hear a click sound it is now locked in place.
5. Following the cable assignment label reconnect the correct colour cable to the button.

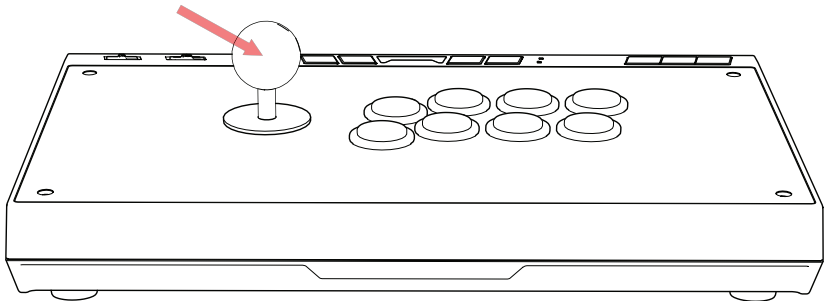
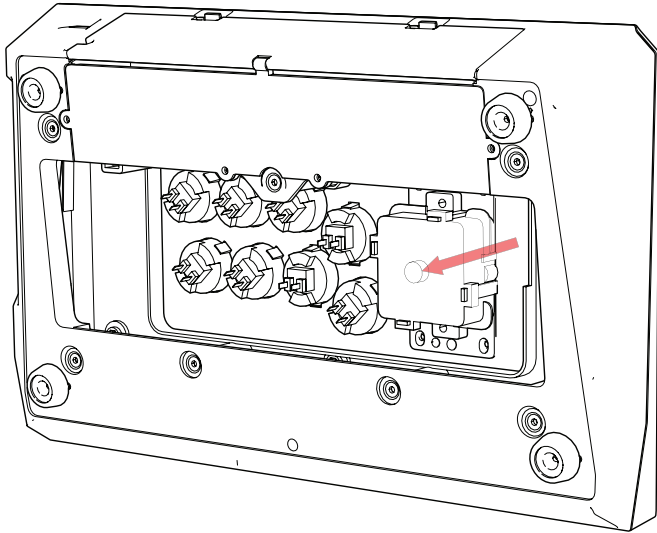


Artwork Replacement:

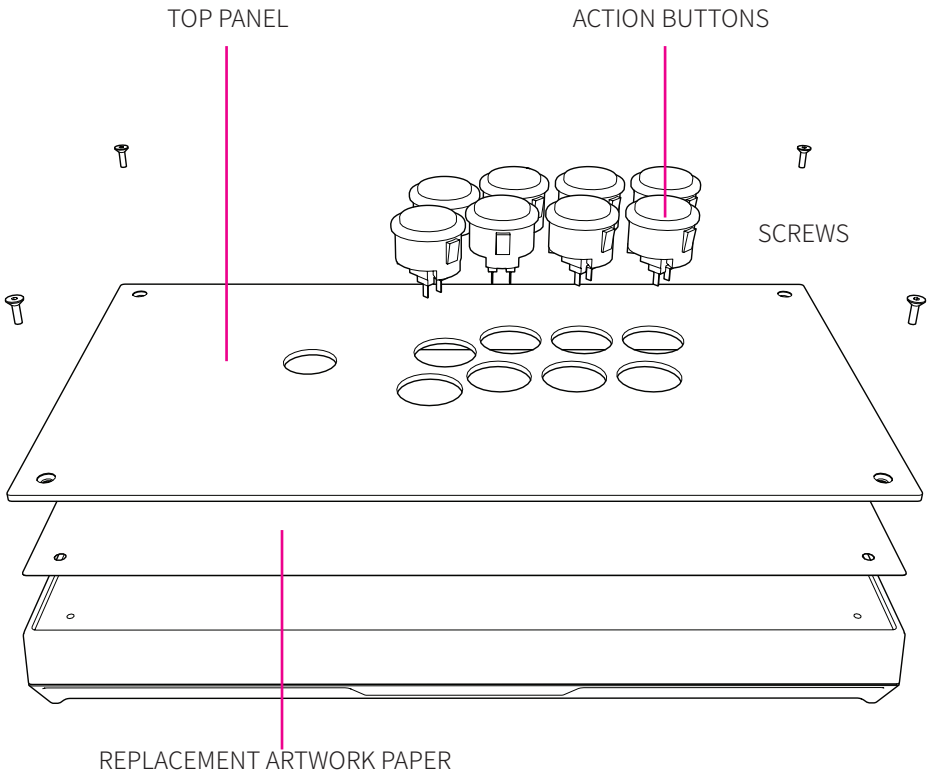
1. Take out the hex screw driver from the storage space at the back of the arcade stick.
2. Detach the 7 screws at the bottom of arcade stick and remove the bottom plate.



3. Disconnect the connect cable from the buttons press in the 2 clips at the side of the buttons to release.
4. Use normal flat screw driver to hold the joystick in place, then rotate to remove the top ball from the joystick.



5. Detach the 4 screws from the top of arcade stick, remove the top panel.



6. Replace the artwork paper.

7. Install the top panel, action buttons and top screws.

8. Following the cable assignment label reconnect the correct colour cable to each button.

9. Reinstall the bottom plate screws back on.

PRECAUTION AND MAINTENANCE

1. Please make sure there is no extreme pressure put on this product.
2. Don't dismantle this product without permission.
3. This product should be situated away from heat sources such as radiators and heaters.
4. Keep this product dry and avoid any contact with damp or wet areas.



PlayStation4 and PS4™ are registered trademark or trademarks of Sony Computer Entertainment Inc. Windows™ and Xbox One™ is registered trademark or trademarks of Microsoft Inc. Android™ is a registered trademark or trademarks of Google Inc. All Rights reserved; All other trademarks are property of their respective owners. Photos and illustrations not binding. Contents, designs and specifications are subject to change without notice and may vary from one country to another. This product is not distributed under official license from or approved, sponsored or endorsed by Sony Computer Entertainment Inc. This product is not manufactured for Sony Computer Entertainment Inc or Microsoft Inc or Google Inc.

If you come across any issue with this product, please do not hesitate to contact GameSir's customer service by email: cs@gamesir.hk, or visit our official website: <https://gamesir.hk>



GameSir

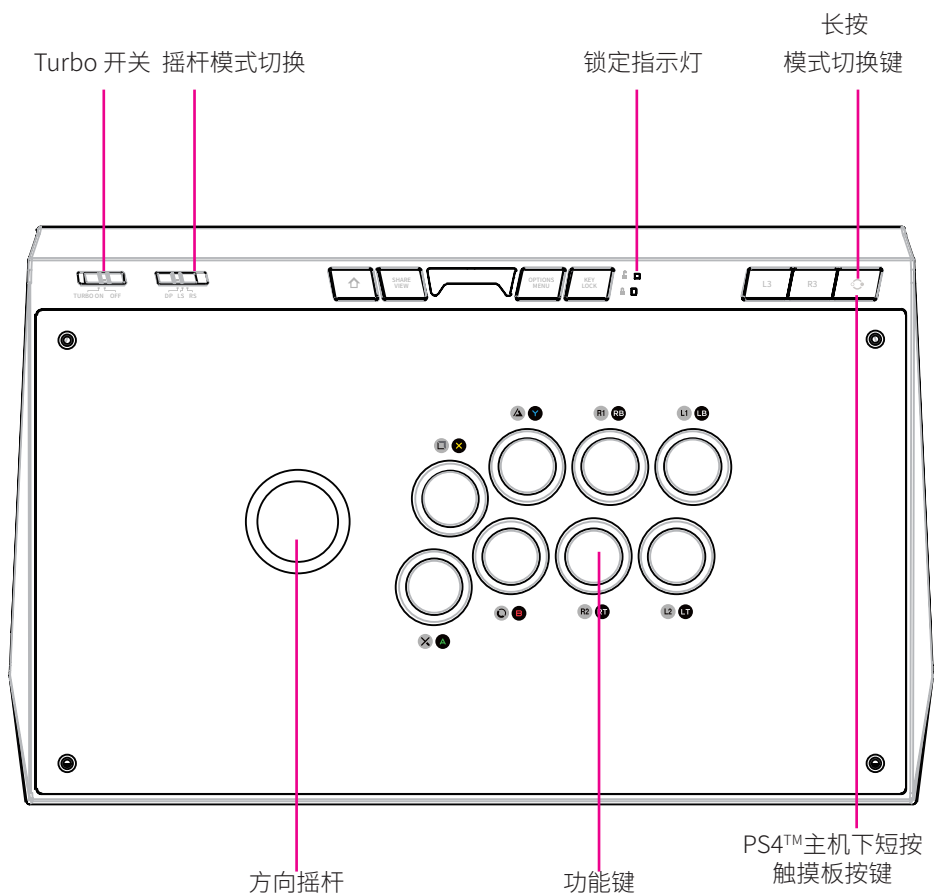
跨平台格斗台杆

For PC, PS4™, XBOX One™ and Android

使用说明书

包装内容：

- 游戏台杆 x 1
- USB 数据线 x 1
- 六角螺丝刀 x 1
- 使用说明书 x 1



SHARE/VIEW

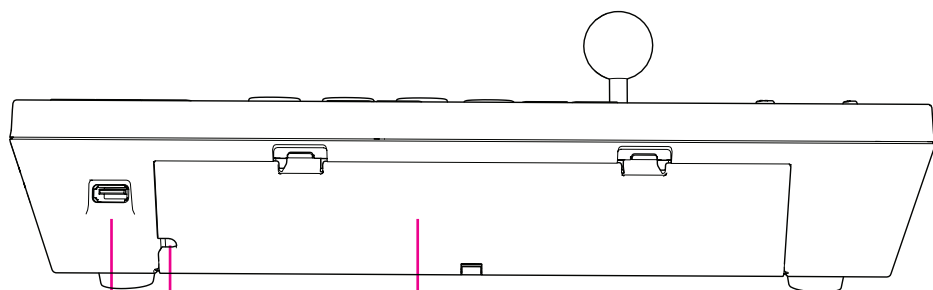
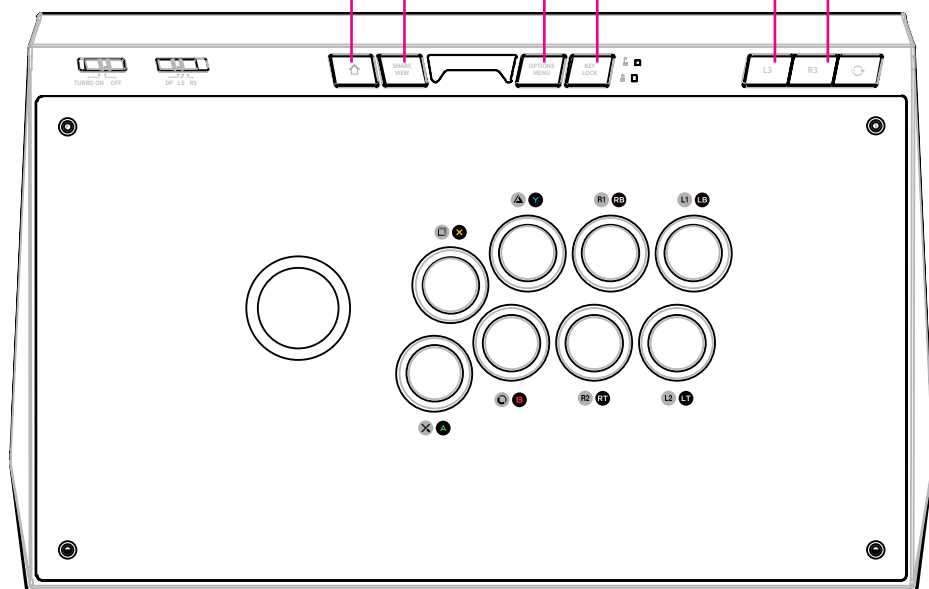
锁定开关

R3

HOME键

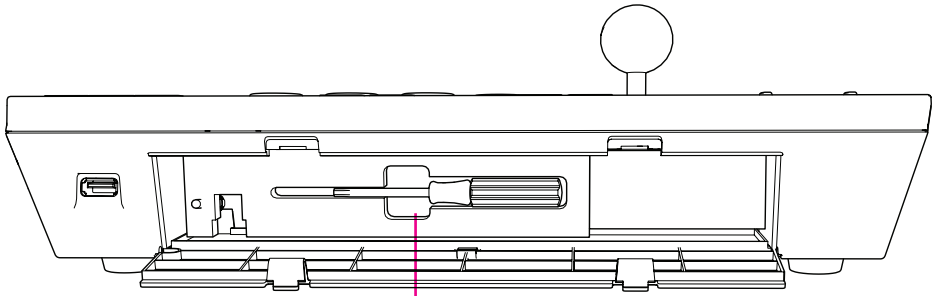
OPTIONS/MENU

L3

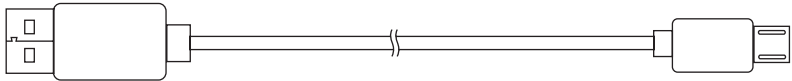


USB输入 线槽

收纳盒盖



螺丝刀



USB 数据线 (1米)

产品特性：

- 采用精准耐用的日本三和摇杆及按键
- 采用 Vewlix 标准 8 键街机布局，适合所有格斗游戏
- Turbo 切换开关控制 8 个格斗按键
- 按键锁定功能避免误操作
- 摇杆可切换三种输出：方向键，左摇杆 及 右摇杆
- 可更换面板设计，轻松更换喜爱的图案
- 背部存储空间可存储连接线，拆卸工具及额外按键（额外按键不包含在本产品内）
- 3 米 USB 线连接至主机
- 包含 1 条 1 米 USB 数据线 连接 PS4™ / Xbox One™ 原装手柄
- 兼容 PS4™，PS4 Slim™，PS4 Pro™，Xbox One™，Xbox One™ S，安卓™ 及 PC 系统（支持 Xinput PC360 模式）

PC / Android 使用说明:

1. 打开台杆背面的收纳盒盖，取出 USB 连接线。
2. USB 连接线插入智能电视、机顶盒、安卓平板、安卓手机或 PC 的 USB 接口。(平板及手机设备需要连接 OTG 线,本产品不包含 OTG 线)
3. 台杆会自动连接主机进入 Xinput 模式,此时即可开始游戏。
4. 如果你希望进入 Dinput 模式,保持按住模式切换键 2 秒以上,两个按键锁定 LED 会开始交替闪烁,表示切入 Dinput 模式(LED 会在30秒后快速闪烁3次后熄灭,继续指示按键锁定状态)。保持按住模式切换键 2 秒以上切换回 Xinput 模式。

PS4™ 使用说明:

1. 打开台杆背面的收纳盒盖，取出 USB 连接线。
2. USB 连接线插入 PS4™ 主机的 USB 接口。
3. 保持按住模式切换键 2 秒以上,两个按键锁定 LED 会开始交替闪烁,提示进入主机连接模式,等待接入PS4™ 原装手柄。
4. 使用附带的 1米 USB 数据线,将 microUSB 接头插入 PS4™ 原装手柄顶部的 microUSB 接口,将 USB 接头插入台杆背面的 USB 接口。两个锁定 LED 会同时亮起 3 秒提示连接成功并继续指示按键锁定状态,此时轻按 HOME 键,再根据系统提示进行游戏。
 - * 请确保 PS4手柄在连接台杆前保持关闭。
 - * 游戏进行中必须保持 PS4™ 原装手柄与台杆的连接,不得断开 USB 线。
5. 如果 PS4™ 原装手柄没有成功连接上台杆,两个锁定 LED 会同时闪烁3次并继续指示按键锁定状态。请从手柄和台杆上移除 USB 数据线,并重复步骤 2, 3, 4。

* 单击“模式切换键”相当于按下 PS4™ 手柄的触摸板。

Xbox One™ 使用说明:

1. 打开台杆背面的收纳盒盖，取出 USB 连接线。
2. USB 连接线插入 Xbox One™ 主机的 USB 接口。
3. 保持按住模式切换键 2 秒以上，两个按键锁定 LED 会开始交替闪烁，提示进入主机连接模式，等待接入 Xbox One™ 原装手柄。
4. 使用附带的 1 米 USB 数据线，将 microUSB 接头插入 Xbox One™ 原装手柄顶部的 microUSB 接口，将 USB 接头插入台杆背面的 USB 接口。两个锁定 LED 会同时亮起 3 秒提示连接成功并继续指示按键锁定状态，此时根据系统提示进行游戏。

* 游戏进行中必须保持 Xbox One™ 原装手柄与台杆的连接，不得断开 USB 线。

5. 如果 Xbox One™ 原装手柄没有成功连接上台杆，两个锁定 LED 会同时闪烁 3 次并继续指示按键锁定状态。请从手柄和台杆上移除 USB 数据线，并重复步骤 2, 3, 4。

Turbo 功能:

本台杆支持 Turbo 功能，可设置 8 个功能键开启或取消 Turbo 功能。



开启 Turbo 功能：按住需要设置 Turbo 的功能键（仅支持 8 个功能键），并同时 will 将 Turbo 开关从 OFF 拨到 ON 档位。此时对应的功能键已启用 Turbo 功能，长按对应的功能键相当于快速点击按键。

摇杆模式切换：

本台杆切换3种类摇杆模式：

- 1) DP: 方向键
- 2) LS: 左摇杆
- 3) RS: 右摇杆



默认档位为 DP 模式，如部分游戏需要，可切换至另外两个模式进行游戏。

按键锁定功能：

为避免游戏时误触按键，本台杆支持按键锁定功能。支持如下按键：

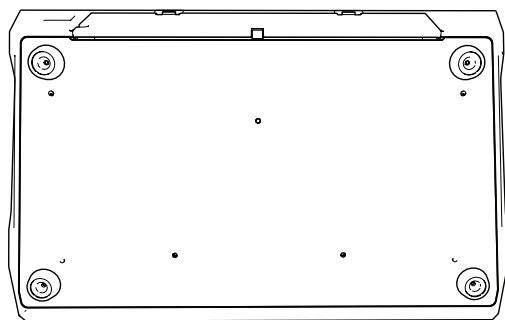
- 1) HOME
- 2) SHARE/VIEW
- 3) OPTIONS/MENU
- 4) L3
- 5) R3



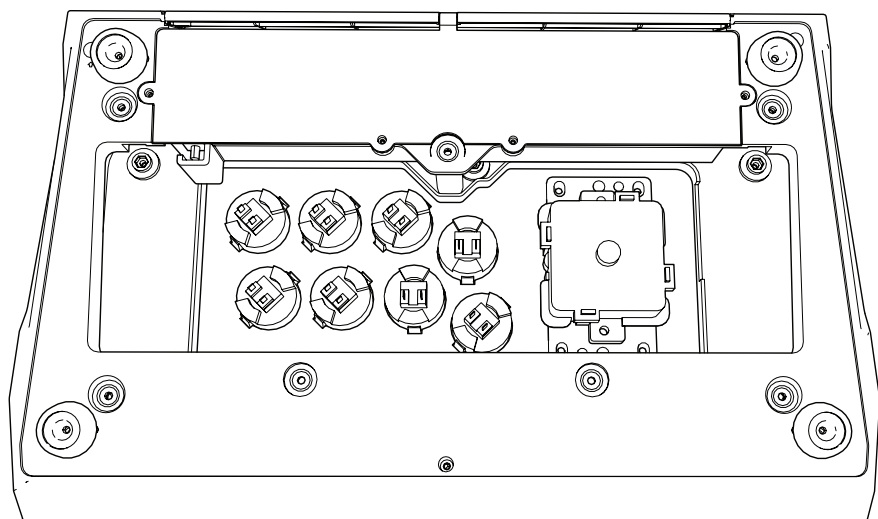
按下“Key Lock”键可开启锁定功能，按键锁定 LED 灯会亮起，此时上方列表按键无功能。再次按下“Key Lock”键解锁以上按键，按键解锁LED 会亮起。

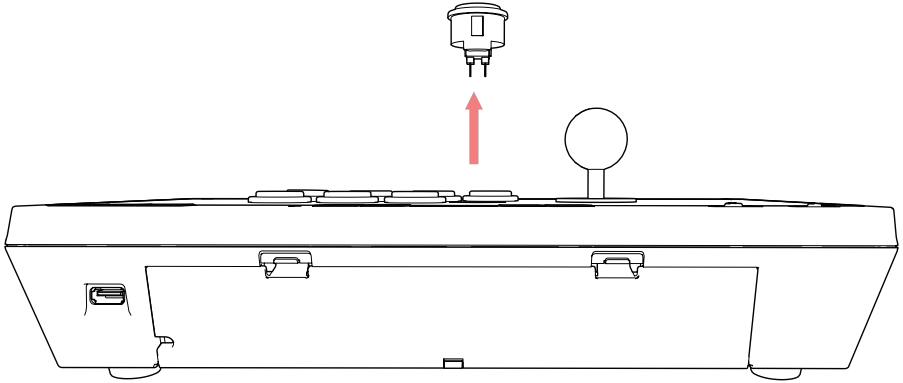
按键替换：

1. 打开台杆背面储物槽，取出六角螺丝刀。
2. 移除台杆底部的 7 颗螺丝。



3. 断开需要替换按钮的数据线，并按住按钮两侧的塑料卡扣将按钮从台杆正面取出。





4. 从台杆正面安装新按钮，并选择按钮直至听到“卡塔”声，此时按钮已锁定至台杆面板。
5. 根据以下图示将正确颜色的数据线连接至按钮。



LB

黄色 Yellow



RB

绿色 Green



Y

红色 Red



X

棕色 Brown



LT

橙色 Orange



RT

蓝色 Blue



B

黑色 Black



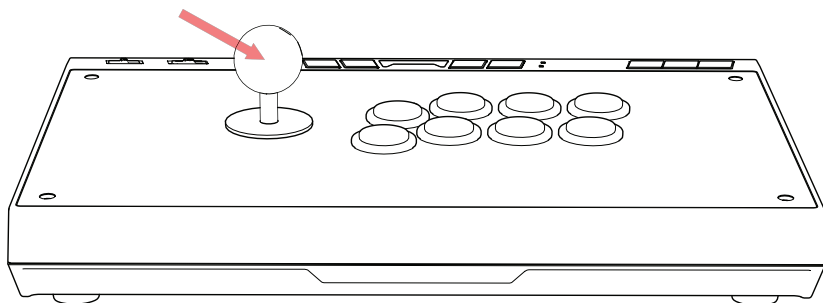
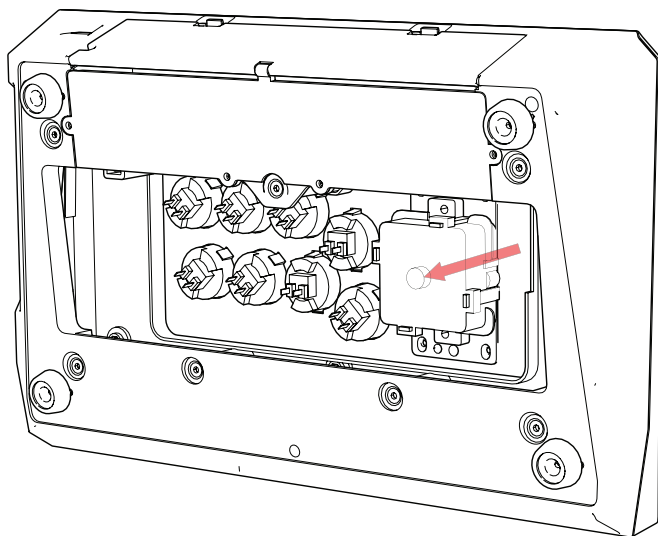
A

紫色 Purple

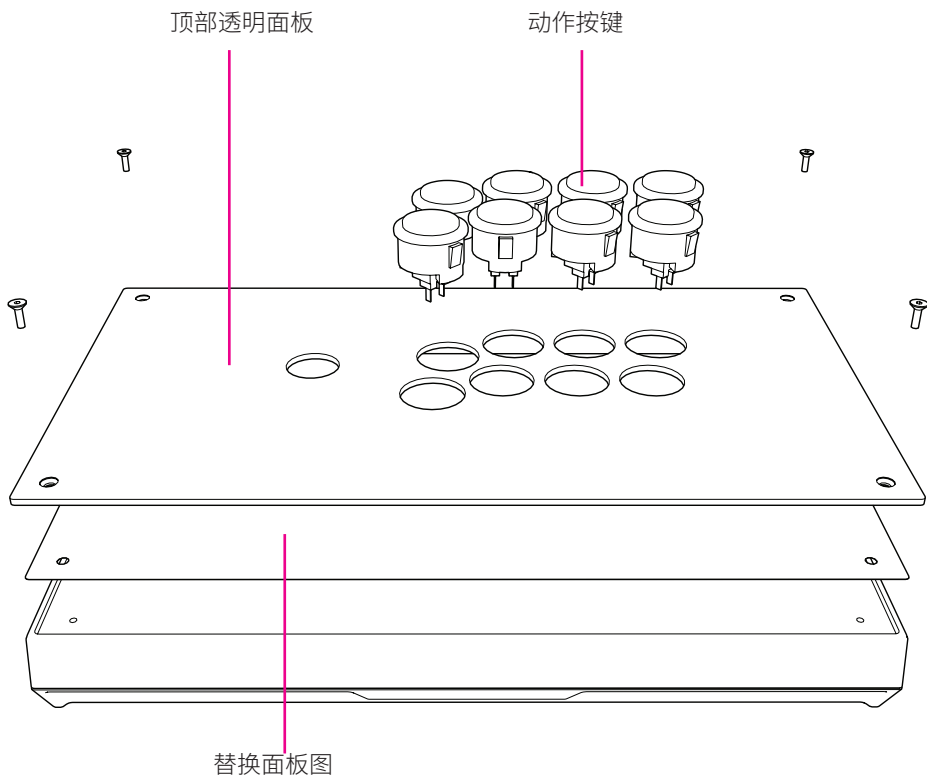
面板图案替换：

1. 打开台杆背面储物槽，取出六角螺丝刀。
2. 移除台杆底部的 7 颗螺丝。
3. 断开所有按键的数据线，并按住按键两侧的塑料卡扣将所有按钮从台杆正面取出。

4. 使用普通一字螺丝刀固定住摇杆底部的中轴，再将台杆摇杆顶部的小球旋转取下。



5. 将台杆正面的 4 颗螺丝移除。



6. 替换面板图。

7. 将正面面板和动作按键安装好，并锁上螺丝。

8. 根据按键图将正确颜色的数据线连接至按钮。



黄色 Yellow



绿色 Green



红色 Red



棕色 Brown



橙色 Orange



蓝色 Blue



黑色 Black



紫色 Purple

9. 将底板安装上并锁上螺丝。

注意事项

1. 请确保本产品上不放置重物。
2. 未经允许, 请勿擅自拆开本产品。
3. 请保证本产品远离热源及辐射源。
4. 本产品避免接触潮湿环境。



Windows™ 和 Xbox One™ 是微软公司注册商标或商标。PlayStation4™ 和 PS4™ 是 Sony Computer Entertainment Inc. 的注册商标。Android™ 是 Google 公司的注册商标。所有商标的所有权属于它们各自的所有者, 照片和插图 不具备约束力。本产品未通过微软公司或Sony Computer Entertainment Inc 或 Google 公司授权。