



# Essential SmartBright LED Downlight

## DN027B G3 LED12/CW 12W 220-240V L150 SQ

Essential SmartBright LED Downlight, 12 W, 1300 lm, 6500 K, Beam angle 110°, White

Essential SmartBright G2 LED Downlight is value for money product with high efficacy, good quality and reliability. It offers multiple configurations from 300lm to 2000lm output, to replace conventional downlight. It can be used for shopping mall, retail store, residential and office. It's an ideal product family to distribute in trade market.

### Product data

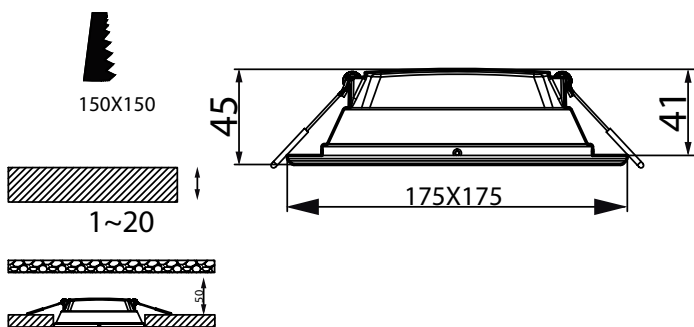
General Information		Light source color	
Light source replaceable	No		865 cool daylight
Number of gear units	1 unit	Optic type	Beam angle 110°
Driver included	Yes	Luminaire light beam spread	110°
Lighting Technology	LED	<b>Operating and Electrical</b>	
Warranty period	3 years	Input Voltage	220 to 240 V
Flammability mark	For mounting on normally flammable surfaces	Line Frequency	50 or 60 Hz
Glow-wire test	Temperature 650 °C, duration 30 s	Input Frequency	50 or 60 Hz
EU RoHS compliant	Yes	Inrush current	3.85 A
		Inrush time	0.101 ms
		Power Consumption	12 W
		Power Factor (Fraction)	0.9
		Cable	Cable 0.2 m without plug
		Number of products on MCB of 16 A type B 74	

# Essential SmartBright LED Downlight

Temperature	
Ambient temperature range	-20 to +40 °C
Controls and Dimming	
Dimmable	No
Driver/power unit/transformer	Power supply unit (On/Off)
Constant light output	No
Mechanical and Housing	
Housing Material	Metal-Plastic
Reflector material	-
Optic material	Polycarbonate
Optical cover material	Polycarbonate
Fixation material	Steel
Housing Color	White
Optical cover finish	Matte
Overall length	175 mm
Overall width	175 mm
Overall height	45 mm
Dimensions (Height x Width x Depth)	45 x 175 x 175 mm
Approval and Application	
Ingress protection code	IP20/40 [Finger-protected, Emitting surface]
Mech. impact protection code	IK03 [0.3 J]
Protection class IEC	Safety class II

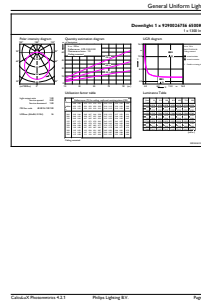
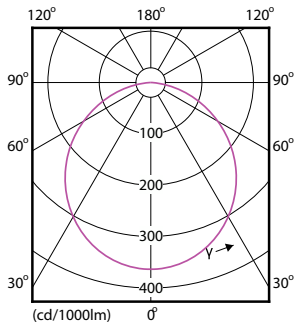
Initial Performance (IEC Compliant)	
Luminous flux tolerance	+/-10%
Initial chromaticity	(IEC6500K, 0.313, 0.337) < 5SDCM
Power consumption tolerance	+/-10%
Over Time Performance (IEC Compliant)	
Driver failure rate at 5000 h	0.012 %
Median useful life L70B50	30,000 hour(s)
Application Conditions	
Suitable for random switching	No
Product Data	
Order product name	DN027B G3 LED12/CW 12W 220-240V L150 SQ
Full product name	DN027B G3 LED12/CW 12W 220-240V L150 SQ
Full product code	871951434542300
Order code	929002675638
Material Nr. (12NC)	929002675638
Numerator - Quantity Per Pack	1
EAN/UPC - Product/Case	8719514345423
Numerator - Packs per outer box	24
EAN/UPC - Case	8719514345430

## Dimensional drawing



# Essential SmartBright LED Downlight

## Photometric data



Light Distribution Diagram - DN027B G3 LED12/CW 12W 220-240V L150 SQ

General uniform lighting - DN027B G3 LED12/CW 12W 220-240V L150 SQ

