

# Weatherlux

IP 65 

## APPLICATIONS

High quality yet economical range of dust-tight and jet-proof luminaires for single or twin lamps of 18W, 36W or 58W lamp ratings. Suitable for use in dusty or moisture-laden environments such as multi-storey car parks, loading bays, passageways, underpasses and covered pedestrian overhead bridges.

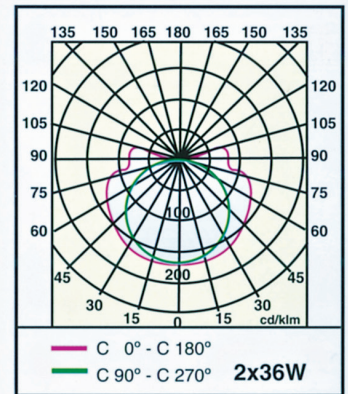
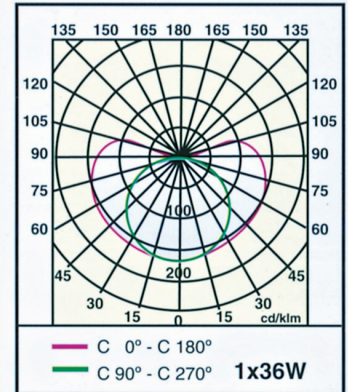
## CONSTRUCTION

Stylish housing of precision injection moulded technopolymer material of robust construction. The housing secures the detachable white anti-oxidising pre-painted steel gear tray by means of two fixing clips. The gear tray houses the wiring and the control gears. This white tray also serves as a good lamp reflector.

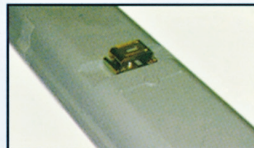
The impact-resistant acrylic diffuser has a smooth surface on the outside and a computer-optimised internal prismatic structure on the internal surface for precise direction of light and good glare reduction function.

The diffuser is designed for 'snap-click' installation into the sealed gasket mounting on the housing by strong polycarbonate toggles. High-grade stainless steel toggles or UV-stabilised polycarbonate diffusers are also available on request.

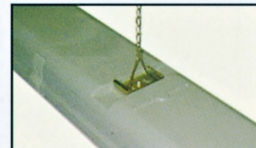
## Photometric Data



## Various Methods of Installation



Direct mounting to ceiling/wall



Chain or steel wire suspension



Fixed steel rod suspension

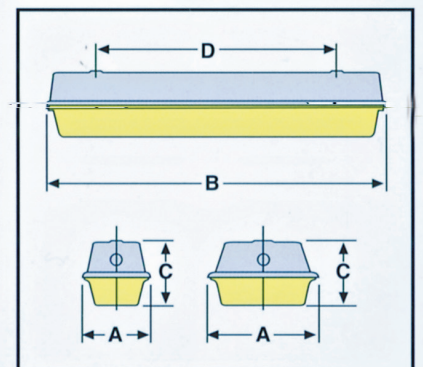
Cautions:- Luminaires should be mounted in a shady or covered environment protected against direct sunlight and against the severity of the weather.

Due to the possible chemical reaction of polymer-based housing/diffuser, luminaire must not be installed in places where there are presences of sulphuric acid, acetone, ammonia, Ethyl alcohol, mineral oil, animal fat or vegetable oil.

## Ordering Data

MODEL	LAMP TYPE	DIMENSIONS (mm)				NOMINAL WEIGHT
		A	B	C	D	
W-LUX 118	1 x 18W	98	665	108	450	1.60 kg
W-LUX 218	2 x 18W	155	665	108	450	2.20 kg
W-LUX 136	1 x 36W	98	1265	108	840	2.50 kg
W-LUX 236	2 x 36W	155	1265	108	840	4.20 kg
W-LUX 158	1 x 58W	98	1565	108	1040	3.10 kg
W-LUX 258	2 x 58W	155	1565	108	1040	5.40 kg

## Dimensions



Specifications are subjected to changes without prior notice