

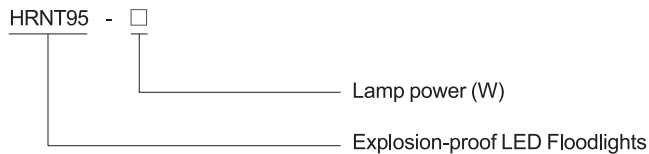
LED Light Fittings

HRNT95 Series Explosion-proof LED Floodlights



- ◆ Explosion protection to
 - CENELEC
 - IEC
 - NEC
- ◆ Can be used in
 - Zone 2
 - Zone 21 and Zone 22
 - Class I, Zone 2
 - Class I, Division 2, Groups A, B, C, D
- ◆ Applicable lamp and power (max.300W)
LED: 80W, 120W, 240W, 300W
- ◆ International brand white light LED, reasonable arrangement of multi LED, high lighting efficiency and long service life.
- ◆ Two types of light distribution: spotlight and floodlight, which can be selected on request.
- ◆ Standard luminaries equip with 60° lens, 30° lens which is optional, please indicate when placing an order.

■ Catalogue number logic



■ Selection table

Type/Ordering code	Lamp power (W)	Weight (kg)	Type/Ordering code	Lamp power (W)	Weight (kg)
HRNT95-80	80	10.00	HRNT95-240	240	12.50
HRNT95-120	120	11.00	HRNT95-300	300	13.00

Note: 1. Standard products with 60° lens, 30° lens which is optional, please indicate when placing an order.
2. Standard luminaries do not equip with wire guard, if need, please specify.



Zones 2; 21&22

LED Light Fittings

HRNT95 Series Explosion-proof LED Floodlights

Technical data

Explosion-proof LED floodlights HRNT95-□

Explosion protection

Gas explosion protection Ⓔ II 3 G Ex nR IIC T□¹⁾Gc

Dust explosion protection Ⓔ II 2 D Ex tb IIIC T□¹⁾Db IP66

¹⁾See Selection Table

Certificates

ECM 16 ATEX 178; IECEx (applied for)

Conformity to standards

EN 60079-0, EN 60079-15, EN 60079-31
IEC 60079-0, IEC 60079-15, IEC 60079-31

Material

Enclosure Copper-free aluminium, powder coated surface,

Glass cover Toughened glass, stands 4J impact

LED driver Wide voltage input, CC-CV (constant current - constant voltage) output, power factor ≥ 0.95 , with function of distributed current, constant current, surge-proof and anti-electromagnetic interference, and protection against overcurrent, open circuit, and short circuit.

Exposed fastener Stainless steel

Lamp

Lamp specification LED module, Multiple LED

Lamp power (W) 80W, 120W, 240W, 300W

Colour Temperature (CCT) Nature white: 5000 \pm 300K
Note: nature white is available in general. Warm white (3000 \pm 200K) is optional, please specify when ordering.

Rated voltage

100 ~ 277V AC 50/60Hz

Degree of protection

IP66

Ambient temperature

-40°C ~ +55°C

Terminal

3 x 1.5 ~ 2.5mm² (L+N+PE)

Cable

1x M20 x 1.5 cable gland (DQM-I Ex e)

Selection table

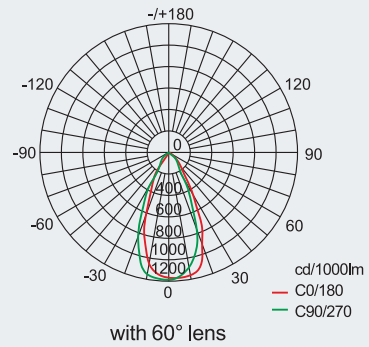
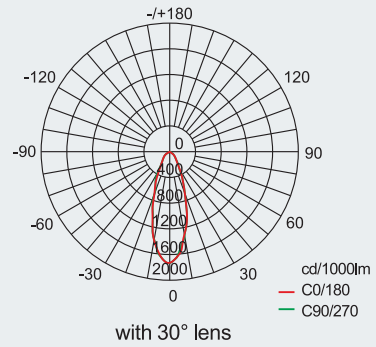
Temperature classes		Lamp power (W)
Gas	Dust	
T6	T80°C	80W, 120W
T5	T95°C	240W
T4	T130°C	300W



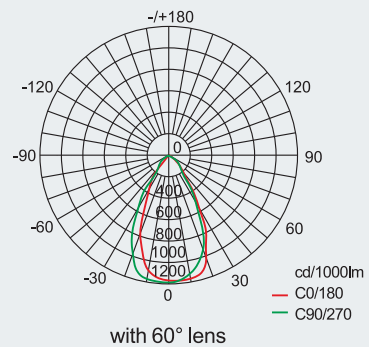
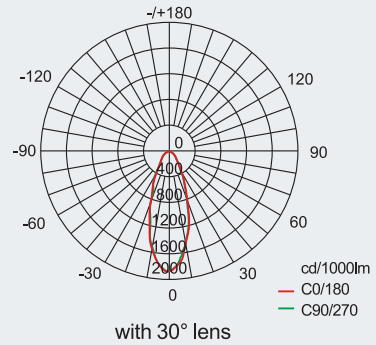
LED Light Fittings HRNT95 Series Explosion-proof LED Floodlights

Photometric data Note: Standard products with 60° lens, 30° lens which is optional, please indicate when placing an order.

HRNT95- □
Rated luminous flux
80W LED: 8600lm
120W LED: 11600lm



HRNT95- □
Rated luminous flux
240W LED: 24300lm
300W LED: 34900lm

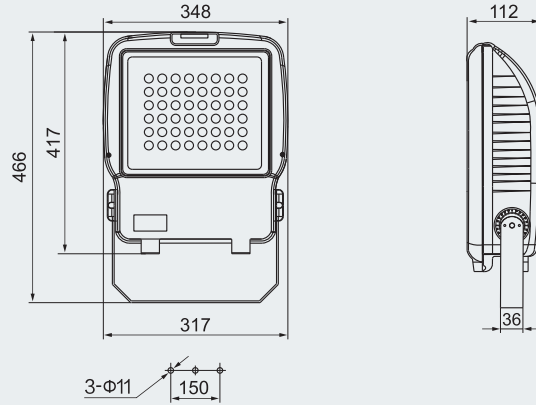


We can provide lighting design and data by professional lighting software DIALUX based upon simulated site situation on request.

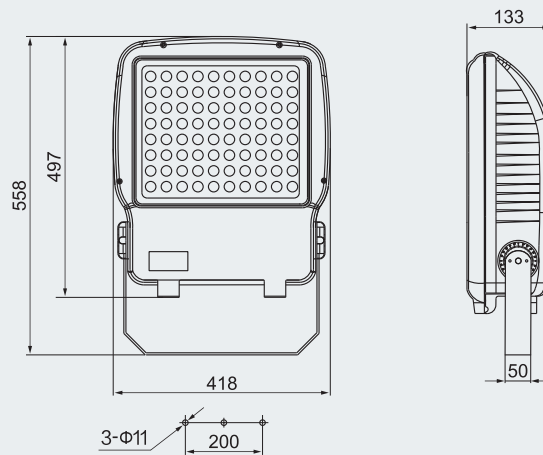
LED Light Fittings

HRNT95 Series Explosion-proof LED Floodlights

Dimension drawings (all dimensions in mm) - subject to alteration



HRNT95-80 / HRNT95-120



HRNT95-240 / HRNT95-300



Accessories

Picture	Name	Ordering code	Weight (kg)
	80W/120W Wire guard	95009	0.40
	240W/300W Wire guard	95010	0.55