



MASTER LEDspot PAR

MAS LEDspot D 9-70W E27 927 PAR30S 25D

With its robust design and warm-white beam of light, these new-generation PAR lamps are ideal for general lighting and spot lighting in the hospitality industry. There is a choice of dimmable and non-dimmable versions. They are especially suitable for public areas such as lobbies, corridors, stairwells, where the light is always on.

Product data

General Information	
Cap-Base	E27 [E27]
EU RoHS compliant	Yes
Nominal Lifetime (Nom)	25000 h
Switching Cycle	25000X
Technical Type	9-70W
Light Technical	
Color Code	927
Beam Angle (Nom)	25 °
Luminous Flux (Nom)	630 lm
Luminous Intensity (Nom)	3000 cd
Color Designation	Warm White (WW)
Correlated Color Temperature (Nom)	2700 K
Luminous Efficacy (rated) (Nom)	66.32 lm/W
Color Consistency	<6
Color Rendering Index (Nom)	90
LLMF At End Of Nominal Lifetime (Nom)	70 %
Operating and Electrical	
Input Frequency	50 to 60 Hz
Power (Nom)	9 W
Lamp Current (Nom)	48 mA

Wattage Equivalent	70 W
Starting Time (Nom)	0.5 s
Warm Up Time to 60% Light (Nom)	0.5 s
Power Factor (Nom)	0.85
Voltage (Nom)	220-240 V

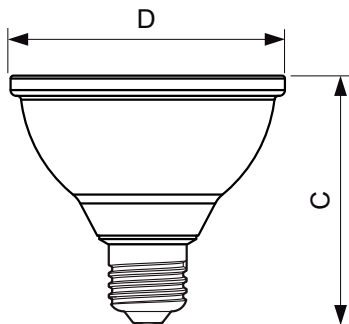
Controls and Dimming	
Dimmable	Yes

Approval and Application	
Energy Efficiency Label (EEL)	A+
Suitable For Accent Lighting	Yes
Energy Consumption kWh/1000 h	9 kWh

Product Data	
Full product code	871869671412600
Order product name	MAS LEDspot D 9-70W E27 927 PAR30S 25D
EAN/UPC - Product	8718696714126
Order code	929001323108
Numerator - Quantity Per Pack	1
Numerator - Packs per outer box	6
Material Nr. (12NC)	929001323108
Net Weight (Piece)	0.220 kg

MASTER LEDspot PAR

Dimensional drawing



PAR30s 220-240V 8-75W 2700K E27 D

Product	D	C
MAS LEDspot D 9-70W E27 927 PAR30S 25D	95 mm	86 mm

