



# Smart Halogen Downlight QBS020

QBS047 1xMAX50W/12V-GU5.3 WH

1 pc - GU5.3 - White

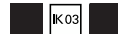
Shop owners opening a new outlet or refurbishing their current installation and contractors looking for attractive propositions for their customers (small/non-chain retailers) now have the ideal solution for impactful, yet affordable accent lighting. Our Smart Halogen Downlight offers customers a choice of different shapes to suit different functions, and the professional finish lends the luminaire an air of contemporary sophistication. Thanks to its robust housing, the Smart Halogen Downlight is a long-lasting solution. Quality clips ensure ease of installation.

## Product data

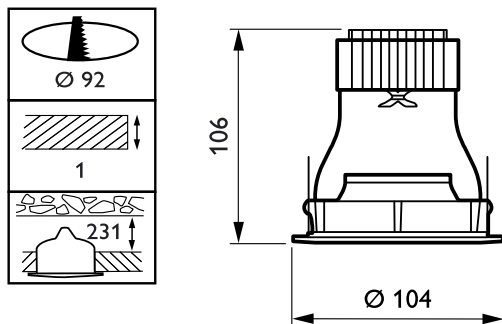
<b>General information</b>		<b>Dimensions (Height x Width x Depth)</b>		300 x 300 x 85 mm
Number of light sources	1 pc			
Cap-Base	GU5.3 [ GU5.3]	<b>Approval and application</b>		
Luminaire light beam spread	108°	Ingress protection code	IP20 [ Finger-protected]	
Protection class IEC	Safety class II	Mech. impact protection code	IK03 [ 0.3 J]	
<b>Operating and electrical</b>		<b>Application conditions</b>		
Input Voltage	12 V	Ambient temperature range	-10 to +35 °C	
Input Frequency	50 to 60 Hz	<b>Product data</b>		
<b>Mechanical and housing</b>		Full product code	910403630295	
Overall length	85 mm	Order product name	QBS047 1xMAX50W/12V-GU5.3 WH	
Overall width	300 mm	EAN/UPC - Product	6923828687823	
Overall height	300 mm	Order code	910403630295	
Color	White	Numerator - Quantity Per Pack	1	

## Smart Halogen Downlight QBS020

Numerator - Packs per outer box	30
Material Nr. (12NC)	910403630295
Net Weight (Piece)	0.235 kg



### Dimensional drawing



QBS047 1xMAX50W/12V-GU5.3 WH

