



Smart Halogen Downlight QBS020

QBS028 1x MAX50W/12V-GU5.3 WH

1 pc - GU5.3 - White

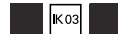
Shop owners opening a new outlet or refurbishing their current installation and contractors looking for attractive propositions for their customers (small/non-chain retailers) now have the ideal solution for impactful, yet affordable accent lighting. Our Smart Halogen Downlight offers customers a choice of different shapes to suit different functions, and the professional finish lends the luminaire an air of contemporary sophistication. Thanks to its robust housing, the Smart Halogen Downlight is a long-lasting solution. Quality clips ensure ease of installation.

Product data

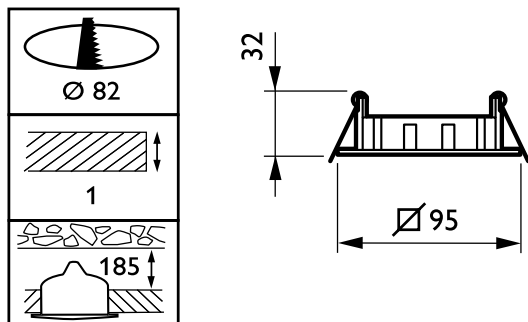
| General information | | Dimensions (height x width x depth) | |
|-----------------------------|----------------------|-------------------------------------|-------------------------------|
| Number of light sources | 1 [1 pc] | 322 x 322 x 75 mm | |
| Cap base | GU5.3 [GU5.3] | Approval and application | |
| Luminaire light beam spread | 108° | Ingress protection code | IP20 [Finger-protected] |
| Protection class IEC | Safety class II (II) | Mech. impact protection code | IK03 [0.3 J] |
| Operating and electrical | | Application conditions | |
| Input Voltage | 12 V | Ambient temperature range | -10 to +35 °C |
| Input frequency | 50 to 60 Hz | Product data | |
| Mechanical and housing | | Full product code | 910403630271 |
| Overall length | 75 mm | Order product name | QBS028 1x MAX50W/12V-GU5.3 WH |
| Overall width | 322 mm | EAN/UPC – product | 6923828687571 |
| Overall height | 322 mm | Order code | 03630271 |
| Colour | White | SAP numerator – quantity per pack | 1 |

Smart Halogen Downlight QBS020

| | |
|---------------------------------|--------------|
| Numerator – packs per outer box | 50 |
| SAP material | 910403630271 |
| Net Weight (Piece) | 0.135 kg |



Dimensional drawing



QBS028 1x MAX50W/12V-GU5.3 WH

