



# Smart Halogen Downlight QBS020

QBS023 1x MAX50W/12V-GU5.3 WH

1 pc - GU5.3 - White

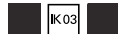
Shop owners opening a new outlet or refurbishing their current installation and contractors looking for attractive propositions for their customers (small/non-chain retailers) now have the ideal solution for impactful, yet affordable accent lighting. Our Smart Halogen Downlight offers customers a choice of different shapes to suit different functions, and the professional finish lends the luminaire an air of contemporary sophistication. Thanks to its robust housing, the Smart Halogen Downlight is a long-lasting solution. Quality clips ensure ease of installation.

## Product data

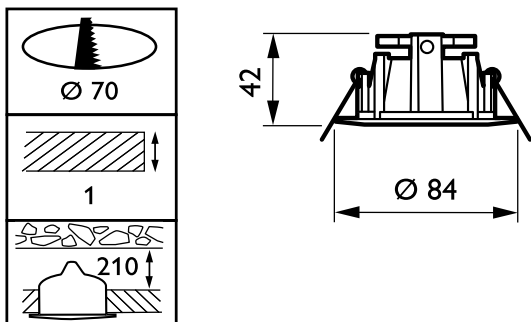
General information		Dimensions (height x width x depth)	
Number of light sources	1 [ 1 pc]	170 x 170 x 33 mm	
Cap base	GU5.3 [ GU5.3]	Approval and application	
Luminaire light beam spread	108°	Ingress protection code	IP20 [ Finger-protected]
Protection class IEC	Safety class II (II)	Mech. impact protection code	IK03 [ 0.3 J]
Operating and electrical		Application conditions	
Input Voltage	12 V	Ambient temperature range	-10 to +35 °C
Input frequency	50 to 60 Hz	Product data	
Mechanical and housing		Full product code	910403630261
Overall length	33 mm	Order product name	QBS023 1x MAX50W/12V-GU5.3 WH
Overall width	170 mm	EAN/UPC – product	6923828687472
Overall height	170 mm	Order code	03630261
Colour	White	SAP numerator – quantity per pack	1

## Smart Halogen Downlight QBS020

Numerator – packs per outer box	50
SAP material	910403630261
Net Weight (Piece)	0.101 kg



### Dimensional drawing



QBS023 1x MAX50W/12V-GU5.3 WH

