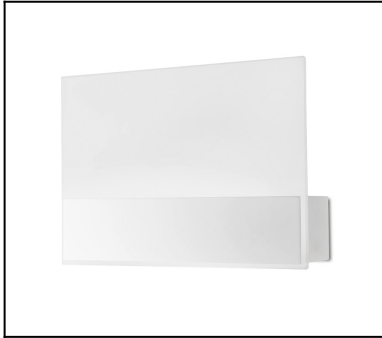
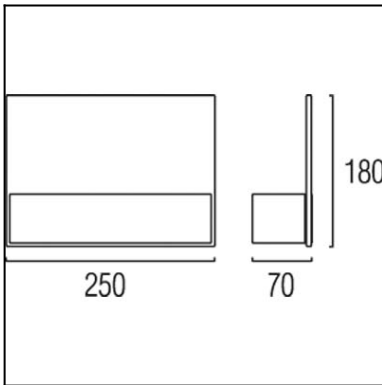


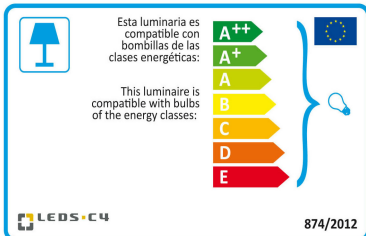
Design by Josep Patsí



The photograph may not match the reference exactly. Please read the product description to identify the finish.



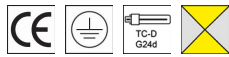
[Download photometric file .ldt / .ies](#)



[Click on image to download energy label](#)

TECHNICAL CHARACTERISTICS

Type:	Wall fixture
IP Protection degrees:	IP20
Light source 1:	1 x G24d2 18W
Total power consumption (W):	22
Voltage / Frequency:	220-240V/50-60Hz
Warranty (Years):	2
Units per box:	6
Net Weight (Kg):	1.45
EAN:	8435111092965



MATERIALS / FINISHES

Structure material:	Steel Zamak	Diffuser material:	Glass
Structure finish:	Matt white	Diffuser finish:	Tinted

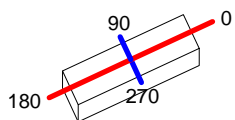
GEAR

Gear included: Yes, Magnetic

Luminaire		Measur.		Lamp		
Code	05-2366-81-B9	Code	05-2366-81-B9	Code	PL-C18W/840/2P	
Name	Aplique FLAT 1x18W G24d-2 opal	Name	Aplique FLAT 1x18W G24d-2 opal	Number	1	
Line	Eulumdat	Date	06-04-2010	Position		
Efficiency	54.93%	Coordinate system	CG	Total Flux	1200.00 lm	
Maximum value	168.06 cd	Position	C=90.00 G=155.00	Sym. on planes	270-90	
Rectangular Luminaire	Length	70 mm	Width	250 mm	Height	180 mm
Rectangular Luminous Area	Length	70 mm	Width	250 mm	Height	180 mm
Horizontal Luminous Area	0.017500 m2	Emitting area on Plane 180°	0.012600 m2			
Emitting area on Plane 0°	0.012600 m2	Emitting area on Plane 270°	0.045000 m2			
Emitting area on Plane 90°	0.045000 m2	Glare area at 76°	0.016459 m2			
Symmetry Type	Sym. on planes 270-90	Maximum Gamma Angle	180			
Measurement Distance	0.00	Measurement Flux	1200.00 lm			
Operator	Asselum	Source voltage				
Temperature	25.00 °C	Source current				
Humidity	60.00 %	Photocell				
Notes						

Luminaire Lamps					
Line	Code	Name	Flux [lm]	Pow. [W]	Q.ty
Eulumdat	PL-C18W/840/2P	PL-C18W/840/2P - 18.00 W	1200.00	18.00	1
C.I.E.	47 76 92 45 55	D DIN 5040	C32		
F UTE	0.25 E + 0.30 T	B NBN	BZ 5		

70mm x 250mm



C Halfplanes

270.0 ————

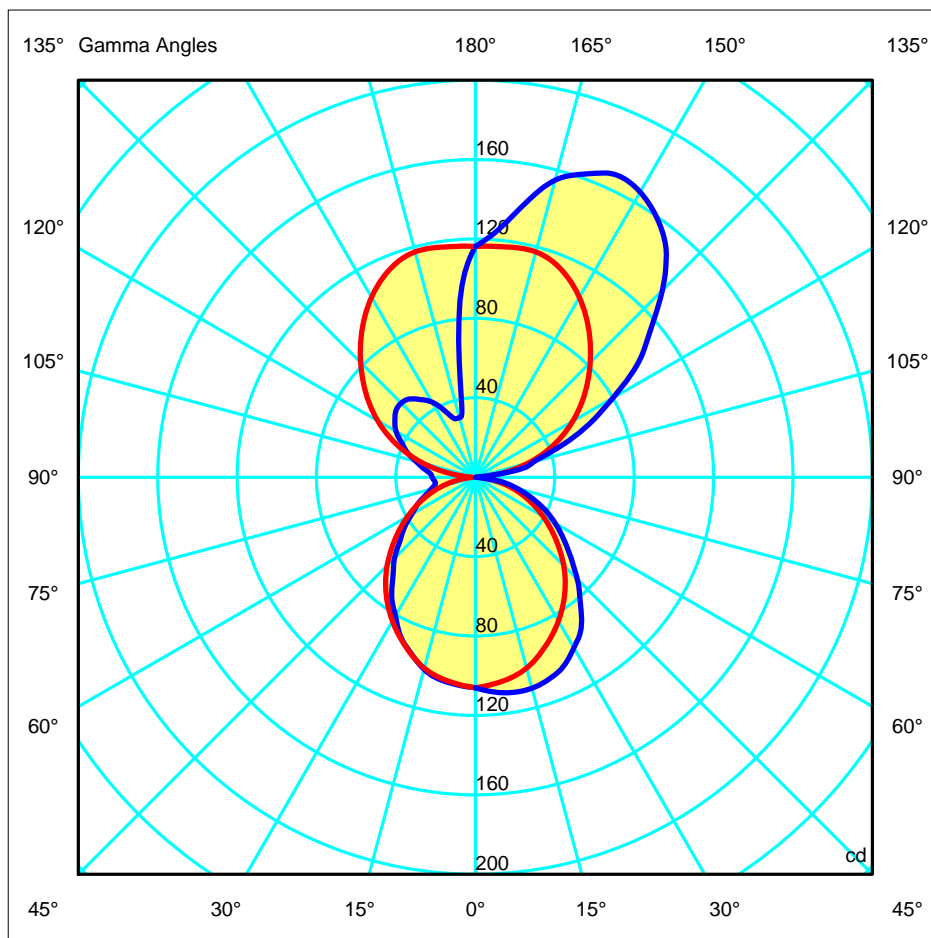
180.0 ———— 0.0

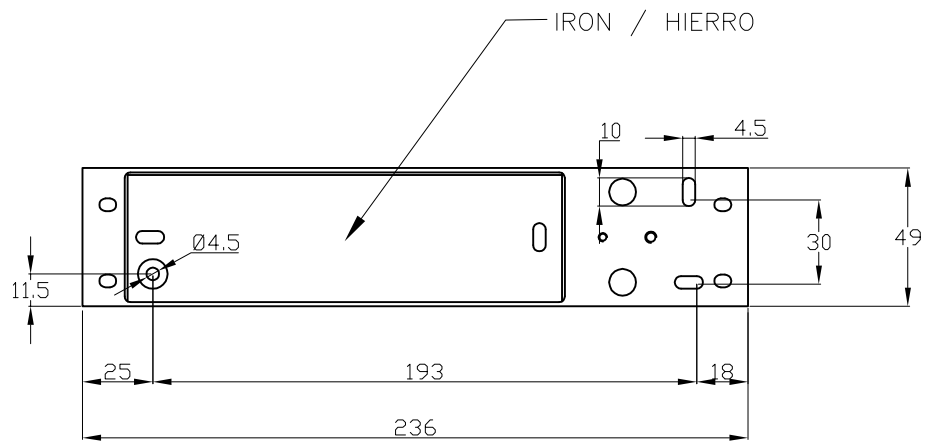
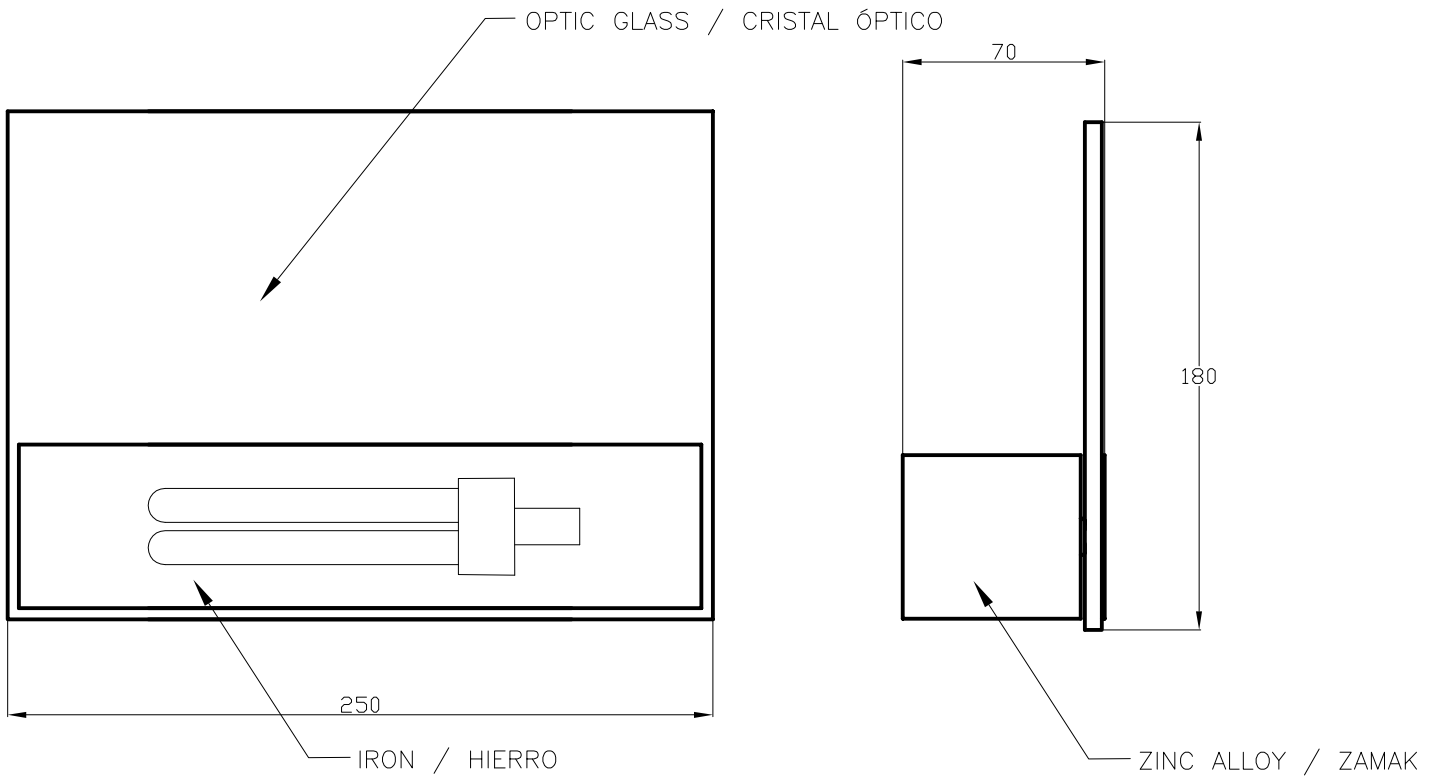
 — 90.0

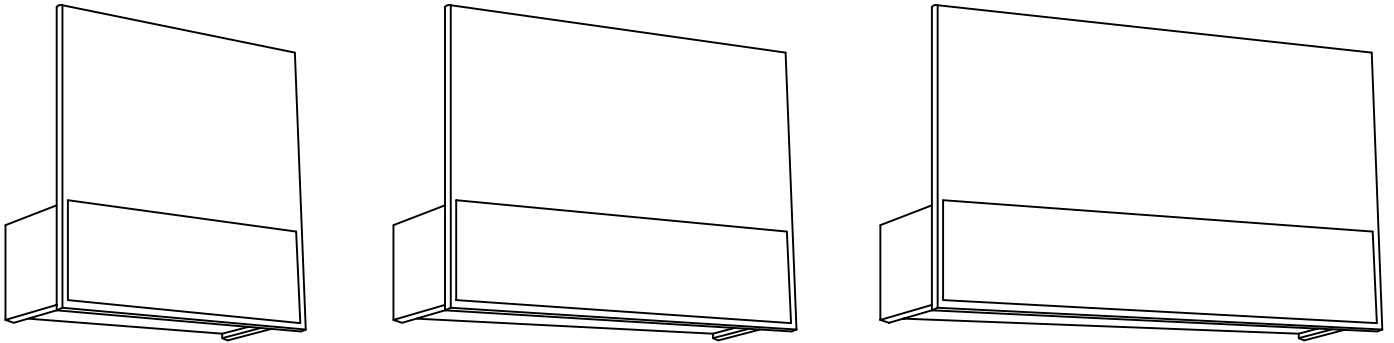
ULOR 30.34 %

DLOR 24.59 %

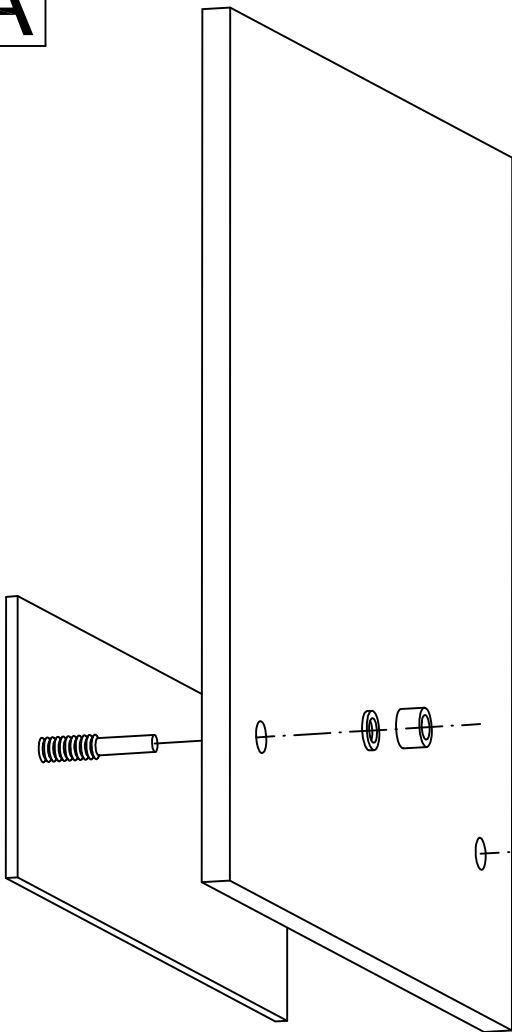
RN 55.23 %



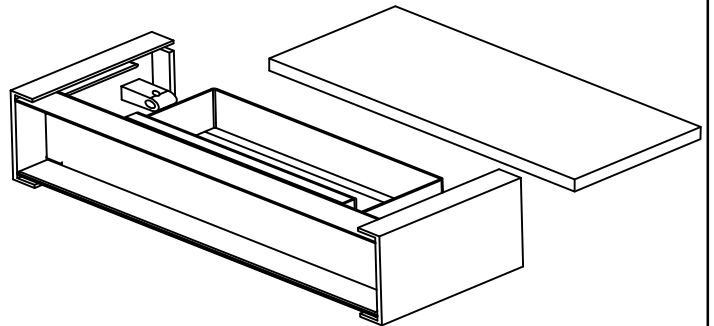




A



B



C

