

DIM MCU

DIM MCU | Light management systems



Product family features

- Switching load contact: 250 V/6 A (10 1-lamp or 5 2-lamp ECGs)
- Cover and rotary knob in cream white

Product family benefits

- Intuitive manual dimming and switching
- Individual setting of minimal brightness level

Areas of application

- Conference rooms
- Restaurants
- Shop lighting

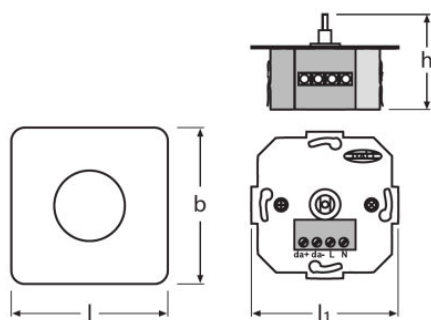
Product datasheet

Technical data

Electrical data

Nominal voltage	230 V
-----------------	-------

Dimensions & weight



Length	80.0 mm
Width	80.0 mm
Height	40.0 mm
Product weight	140.00 g
Mounting hole spacing, length	70.0 mm

Colors & materials

Product color	Cream white
---------------	-------------

Temperatures & operating conditions

Ambient temperature range	0...+50 °C
---------------------------	------------

Capabilities

Dimmable	Yes
Dimming interface	1...10 V
Number of control outputs	1
Load contact	6 A
Type of installation	Integrated in flush device box

Certificates & standards

Type of protection	IP20
Protection class	II
Approval marks – approval	CE

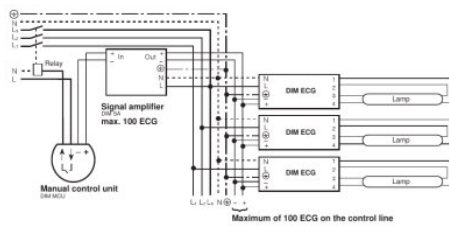
Product datasheet

Logistical data

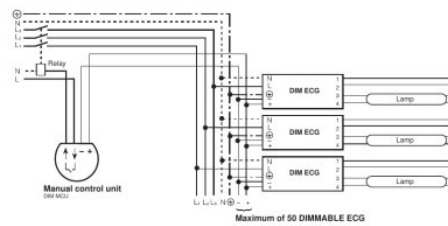
Commodity code	853650809000
-----------------------	--------------

Equipment / Accessories

- Suitable for up to 50 electronic control gears (external load contact required)
- Flexible expansion via external load contact and via signal amplifier DIM SA
- Cover and rotary knob included






32790_CONTROL OF MORE THAN 50 DIMMABLE ECG



32819_CONTROL OF UP TO 50 DIMMABLE ECG

Download Data

File
 Declarations of conformity DIM MCU CE 3461249 151216
 Installation/Operation notice 334259_DIM MCU – analog rotary dimmer
 Installation guide 334690_DIM MCU – analog rotary dimmer

Logistical Data

Product code	Product description	Packaging unit (Pieces/Unit)	Dimensions (length x width x height)	Volume	Gross weight
4050300347424	DIM MCU	Shipping carton box 100	437 mm x 298 mm x 438 mm	57.04 dm ³	12421.33 g

The mentioned product code describes the smallest quantity unit which can be ordered. One shipping unit can contain one or more single products. When placing an order, for the quantity please enter single or multiples of a shipping unit.

Product datasheet

Disclaimer

Subject to change without notice. Errors and omission excepted. Always make sure to use the most recent release.