

AZPOSE

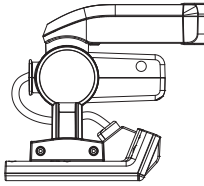
XL2-1515 / XL2-3030 / XL2S-1515 / XL2S-3030

LED Flood Light Installation Guide

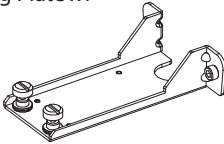


Items in Box:

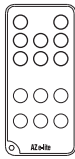
Body x1



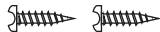
Mounting Plate x1



Remote Control x1
(for XL2S models)



Screw x2



Conical Anchor x2

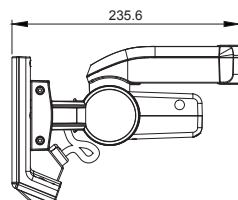
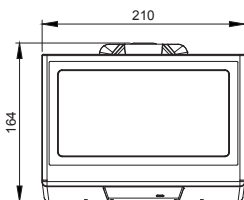
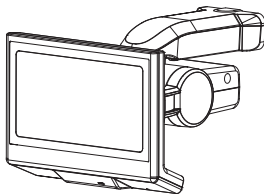


General Specifications:

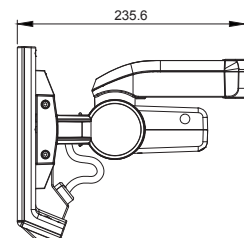
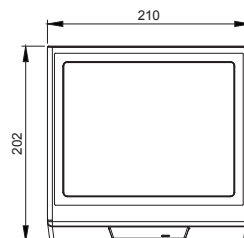
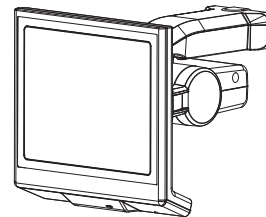
	XL2-1515 / XL2S-1515	XL2-3030 / XL2S-3030
General (Lighting Fixture)		
Operating Input Voltage	100 – 277 Vac / 50 - 60Hz	
Power Factor	>0.9	
Power Consumption (Typical)	15W	30W
Operating Temperature	-20 to 40 °C	
Storage Temperature	-40 to 80 °C	
Operating Humidity	>90% (RH)	
IP Rating	IP65	
LED Light Source		
Type of LED	1W middle Power LEDs	
No. of LEDs	30PCS	60PCS
Luminous Flux (Typical)	1500lm	3000lm
Color Temperature	3000K / 6500K	
Color Rendering Index	80 (Typical)	
Motion Sensor (for XL2S-1515 & XL2S-3030)		
Type of Sensor	Microwave sensor	
Frequency	2.4GHz +/- 100MHz	
Operating Temperature	-20 to 40 °C	
Standby Power	≤ 0.5W (Typical)	
Detection Angle	30 – 150°	
Detection Zone	Max. 9m	
Hold Time	5s / 10s / 30s / 1min / 5min / 15min	
Remote Control		
Range of Remote Control	<5m	

Outline Drawing:

▶ XL2-1515/
XL2S-1515

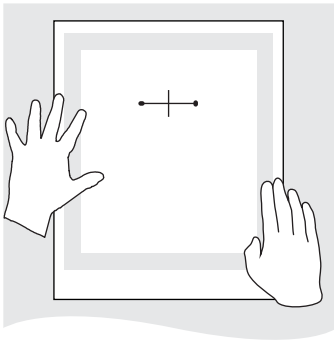


▶ XL2-3030/
XL2S-3030

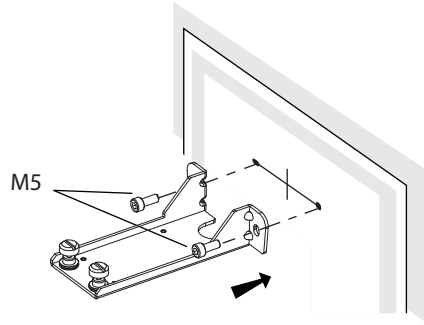


Installation steps:

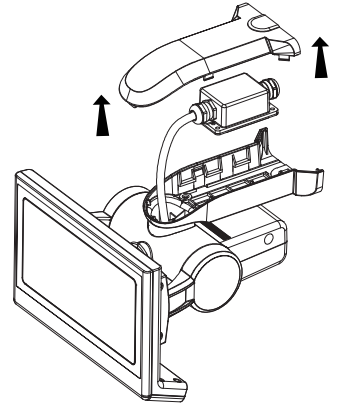
1. Use the installation position guide to find placement position of the mounting plate.



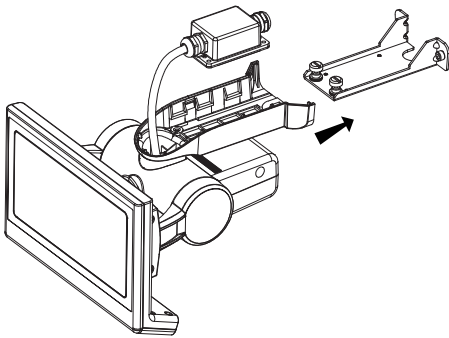
2. After marking positions, secure the mounting plate to the wall with 2 M5 screws.



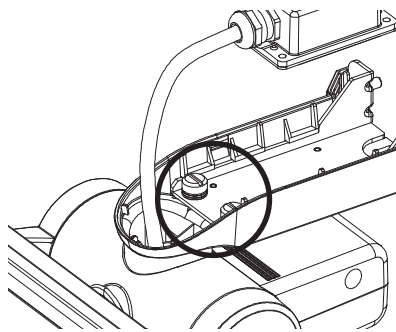
3. Remove top cover and put aside till end of installation.



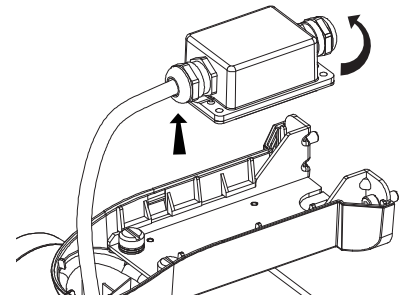
4. Insert the luminaire into the mounting plate.



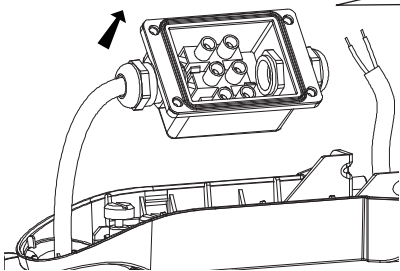
5. Tighten the screws on mounting plate to secure luminaire.



6. Turn over the junction box.

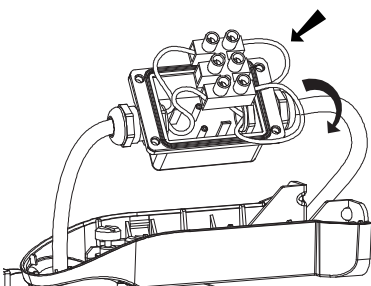


7. Take out the terminal block.

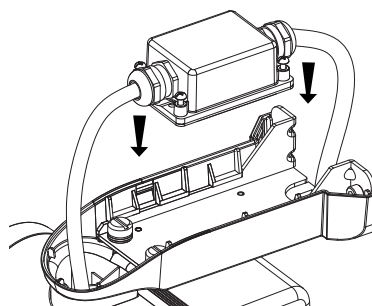


<p>A. Loosen the screws.</p>	<p>B. Insert the supply cable through the grommet.</p>
<p>C. Insert supply cable wires into terminal block accordingly.</p>	<p>D. Tighten the grommet.</p>

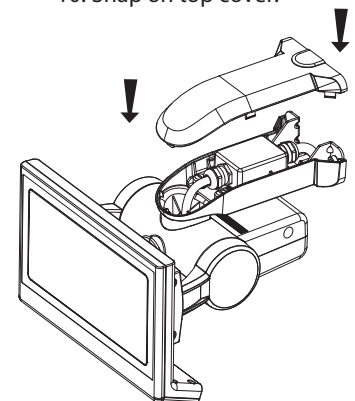
8. Put the terminal block back into the box and turn back the junction box.

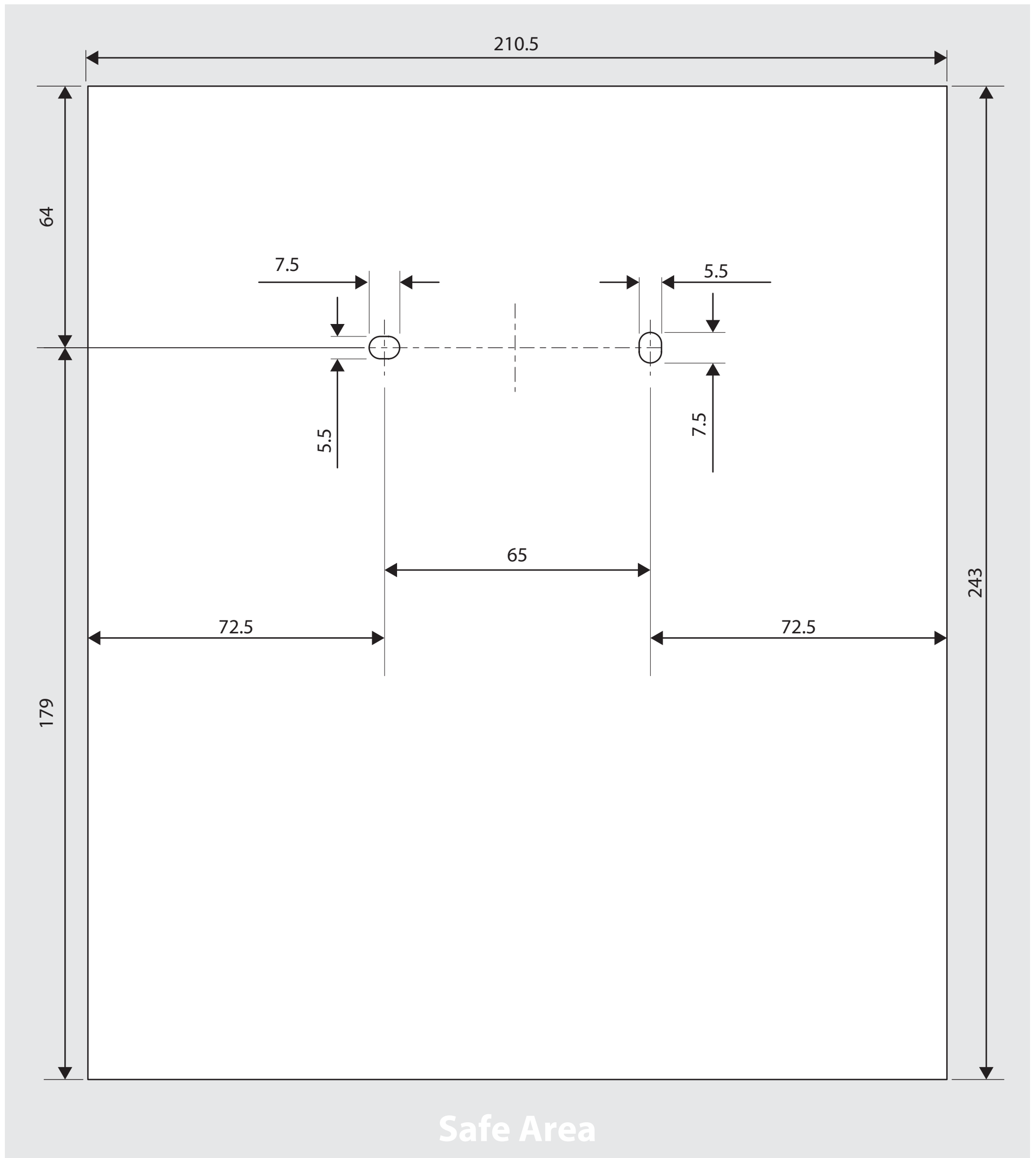


9. Position and press the junction box onto the mounting plate. Tighten the screws.



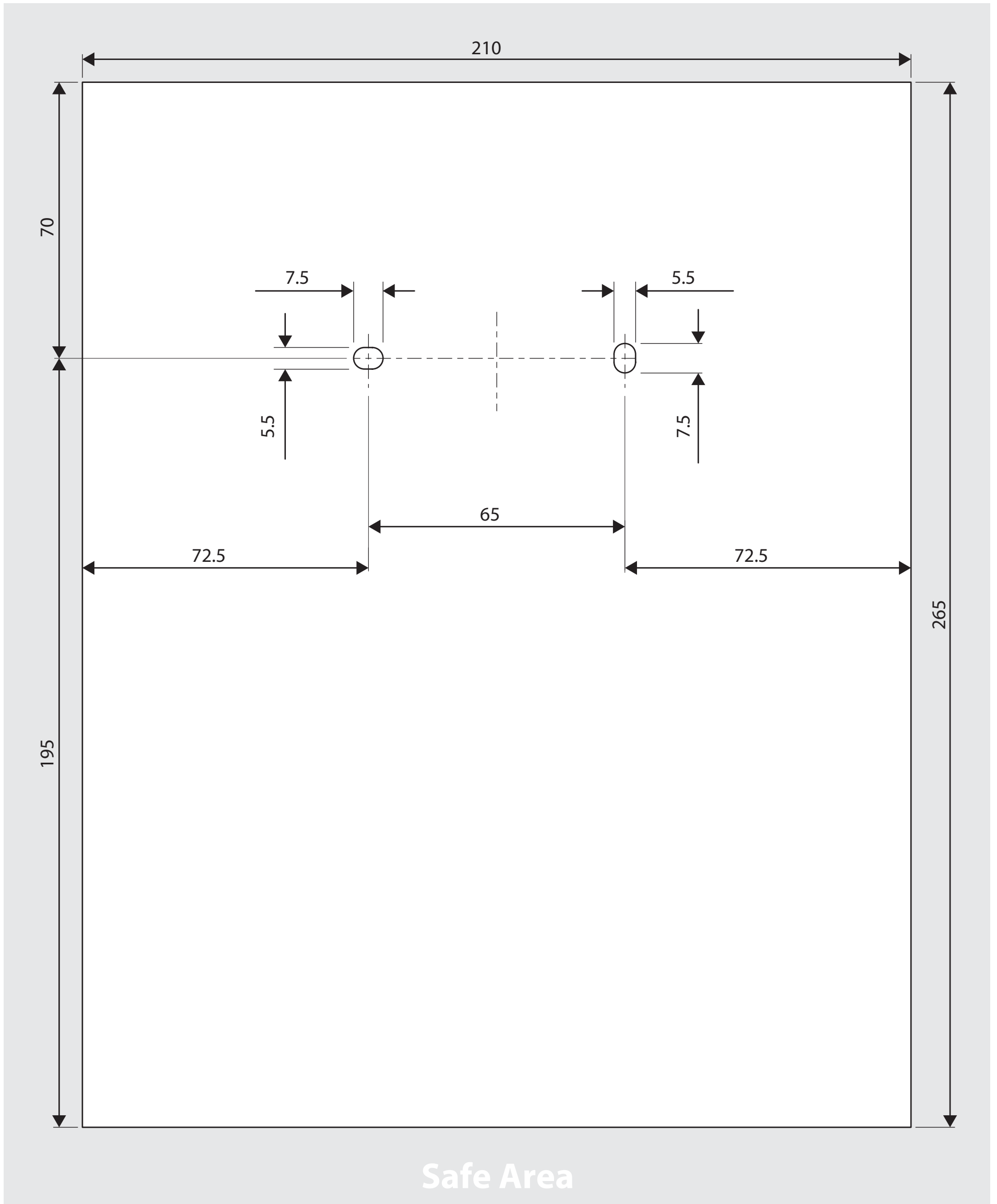
10. Snap on top cover.





AZPOSE
XL2-1515 / XL2S-1515
 LED Flood Light
 Mounting Plate

*All measurements are in mm.



AZPOSE
XL2-3030 / XL2S-3030
 LED Flood Light
 Mounting Plate

*All measurements are in mm.