

**Walldim103E1**

**Product Features**

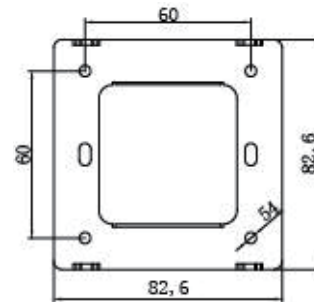
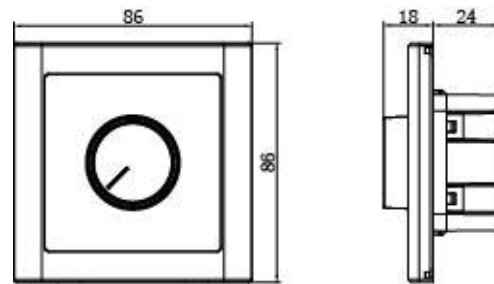
- Suitable for 1-10V LED dimming driver with passive signal support
- Installation in the European and domestic electrical box
- Can switch off the signal and power supply at the same time
- ABS material, high flame retardant
- Fashion, and easy to use
- Used in the study, bedroom, restaurant, bars and other places need dimming control



**Technical Parameters**

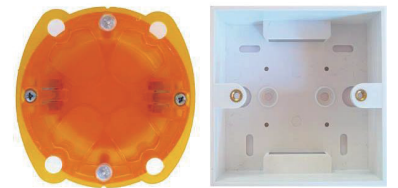
Model	Walldim103E1
Output	Variable resistance signal
Control output load capacity	Max. 20 mA
Switching output load capacity	Max. 6 A resistive load
Type	Passive dimmer
Panel color	Ivory-white
Panel size	86*86*42mm(W*H*D)
Packing size	104*104*52mm(W*H*D)
G.W.	140g
Working temp.	-10~55°C
Relative humidity	20-90% RH

**Dimension(mm)**

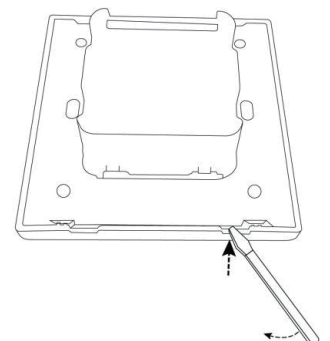


**Installation Guide**

1. Mount an electrical box inside the wall



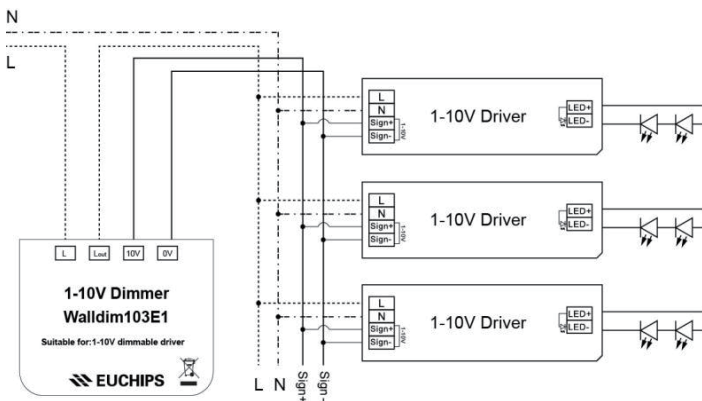
2. To separate the panel and the back cover of the controller with a screwdriver along the gap of the back cover.



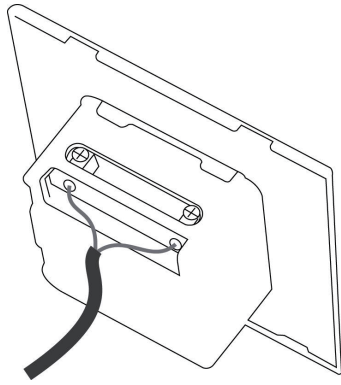
**Function Description**

[1.Turn the knob clockwise , after hear the 'click' sound , the knob signal is turned on ,continue to adjust the knob ,the brightness of light varies from minimum to maximum. Turn the knob by counter-clockwise, the brightness of light varies from maximum to minimum ,continue to adjust the knob , after hear the 'click' sound, the knob signal is closed.

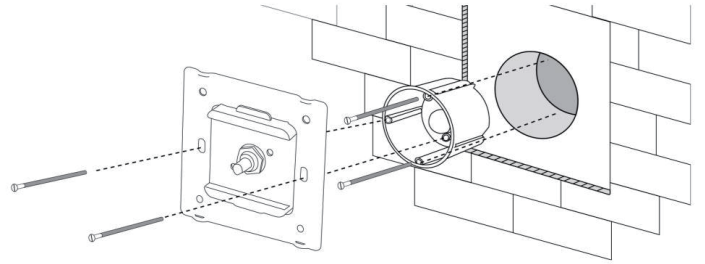
**Wiring Diagram**



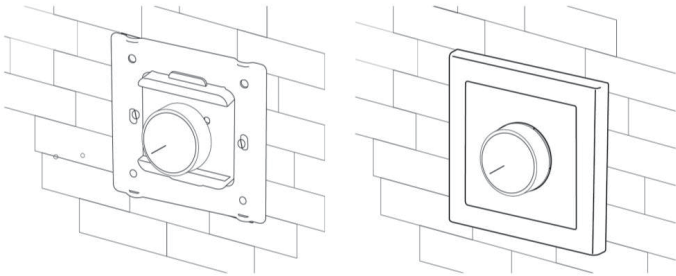
3. Connect the wires according to the "Wiring Diagram"



4. To put the back cover on the electrical box and fix it with the screw.



5. To buckle the glass panel to the bottom box.



#### Caution

1. Connect the load wire at first, then connect the power wire; Please ensure short circuit can not occur between wires before you turn on the power.
2. Please check the input voltage and frequency range, it may burn out the dimmer once exceed the voltage or frequency range.

## Walldim103E1

### 产品特点

- 适用于支持无源信号的1-10V LED调光驱动器
- 可安装在欧洲和国内电气盒
- 接线方便简单，旋转即可调光
- 具有火线切断功能
- ABS高阻燃性材料，耐高温耐冲击
- 外形简约时尚，美观大方，操作便捷
- 应用场合：书房，卧室，餐厅，酒吧和其它需要调光的场合

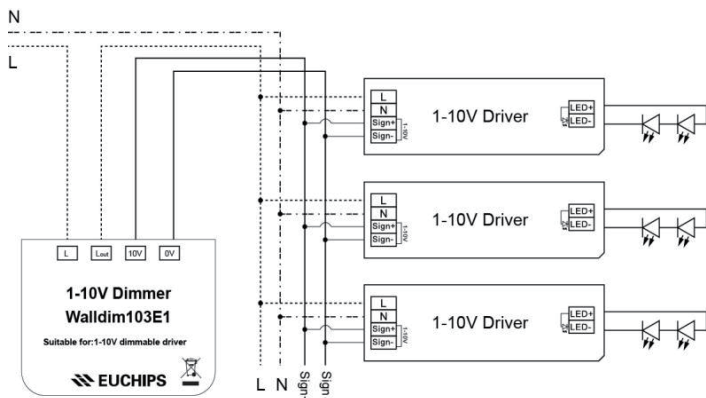
### 技术参数

型号	Walldim103E1
输出	可变电阻信号
控制输出负载容量	20mA
切断负载电流	6A阻性负载
类型	无源调光器
面板颜色	象牙白
面板尺寸	86*86*42mm[宽*高*深]
包装尺寸	104*104*52mm[宽*高*深]
毛重	140g
工作温度	-10-55°C
相对湿度	20-90% RH

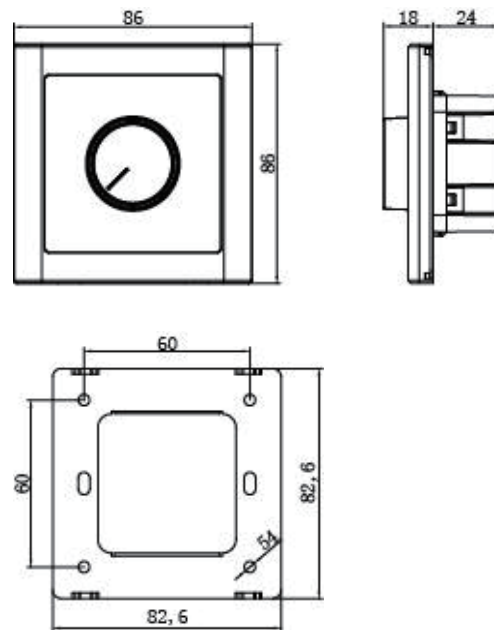
### 功能描述

顺时针调节旋钮，听到“咔”声后，旋钮信号打开，继续调节旋钮，灯具亮度从最小变化至最大；逆时针调节按钮，灯具从最大变化至最小，继续调节按钮，听到“咔”声后，旋钮信号关闭。

### 接线图

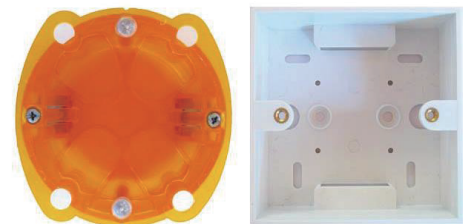


### 外观及安装尺寸(mm)

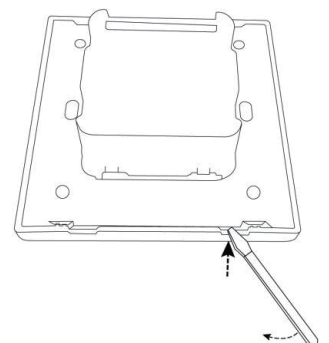


### 安装指南

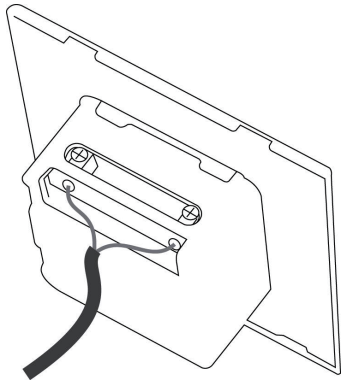
1. 将电气盒安装到墙体。



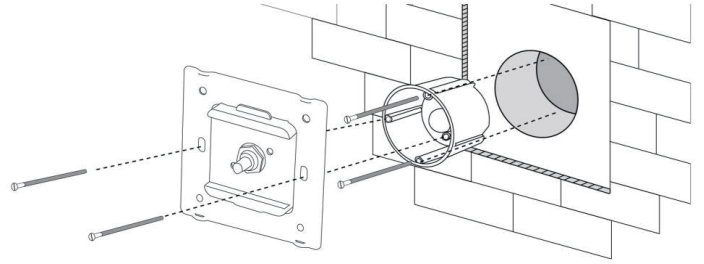
2. 用螺丝刀轻轻的撬开面板的缺口，取下白色面板，如下图所示。



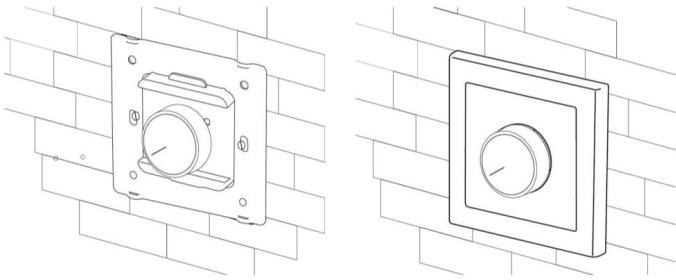
3. 根据应用接线图进行接线。



4. 用螺钉将底盖可靠地安装到墙上的电气盒内。



5. 检查白色面板的方向，将其装在底盖上。



**注意事项**

1. 接线时,先接负载线,再接电源线. 通电前,要确保电路连接正确,防止短路。
2. 输入电压超出面板的电压或频率,可能会导致调光器损坏。