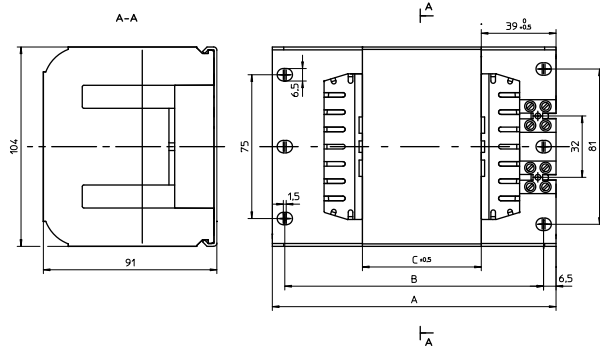
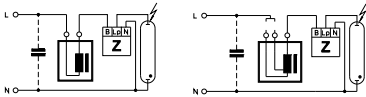


Ballasts for HS and HI Lamps 250 to 1000 W

Shape: 91x104 mm

For high pressure sodium lamps (HS), metal halide lamps (HI) and ceramic discharge lamps (C-HI)
Vacuum-impregnated with polyester resin
Screw terminals: 0.75–2.5 mm²
Protection class I
tw 130



Lamp			Ballast										Capacitor	
Output W	Type	Current A	Type	Ref. No.	Voltage AC V, Hz	a mm	b mm	c mm	Weight kg	Δt K	Power factor λ	Energy efficiency	C _p μF	I _N A
250	HS, HI	3.00	NaHJ 250.727*	571042	230, 50	133	120	42	3.30	75	0.39	EEl=A3	32	1.26
			NaHJ 250.727	571049	240, 50	133	120	42	3.40	75	0.39	EEl=A3	32	1.21
400	HS, HI	4.45	NaHJ 400.006	571044	220, 50	148	135	62	4.57	75	0.44	A2	45	2.00
			NaHJ 400.006	571047	230, 50	148	135	62	4.57	80	0.44	A2	45	1.95
			NaHJ 400.737	571054	230/240, 50	148	135	62	4.7	75	0.45	A2	45	2.00/1.95
			NaHJ 400.737	571050	240, 50	148	135	62	4.61	80	0.43	A2	45	1.90
			NaHJ 400.012	571057	220, 60	148	135	68	4.45	75	0.44	A2	40	2.00
600	HS	6.20	NaH 600.010	571045	220, 50	173	160	96	6.78	75	0.44	A2	65	2.90
			NaH 600.005	571055	230/240, 50	173	160	96	6.89	75	0.44	A2	65	2.90/2.85
			NaH 600.140	571058	220, 60	173	160	96	6.79	75	0.46	A2	55	3.00
1000	HS	10.30	NaHJ 1000.089	571043	220, 50	248	235	160	11.31	75	0.47	A2	100	5.1
	HI	9.50							75	0.51	A2	85	5.0	
	HS	10.30	NaHJ 1000.089	571046	230, 50	248	235	160	11.4	75	0.45	A2	100	5.1
	HI	9.50							75	0.49	A2	85	5.0	
	HS	10.30	NaHJ 1000.089	571051	230/240, 50	248	235	160	11.57	75	0.45	A2	100	5.1
	HI	9.50							75	0.46	A2	85	5.0	
	HS	10.30	NaHJ 1000.089	571048	240, 50	248	235	160	11.45	75	0.42	A2	100	4.8
	HI	9.50							75	0.46	A2	85	4.9	
	HS	10.30	NaHJ 1000.089	571056	220, 60	248	235	160	11.13	75	0.46	A2	100	5.1
	HI	9.50							75	0.50	A2	85	5.0	

* Ballasts without CE marking for replacements or markets outside of the EU

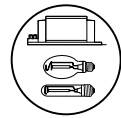
With Thermal Cut-out

Thermal cut-out with automatic reset

Lamp			Ballast										Capacitor	
Output W	Type	Current A	Type	Ref. No.	Voltage AC V, Hz	a mm	b mm	c mm	Weight kg	Δt K	Power factor λ	Energy efficiency	C _p μF	I _N A
250	HS, HI	3.00	NaHJ 250.727*	571052	230/240, 50	133	120	42	3.40	75	0.39	EEl=A3	32	1.26/1.21
400	HS, HI	4.45	NaHJ 400.737	571053	230/240, 50	148	135	62	4.7	75	0.43	A2	45	1.95/1.90

* Ballasts without CE marking for replacements or markets outside of the EU

The values contained in this data sheet can change due to technical innovations. Any such changes will be made without separate notification.



Ballasts for HM and HI Lamps 1000 W

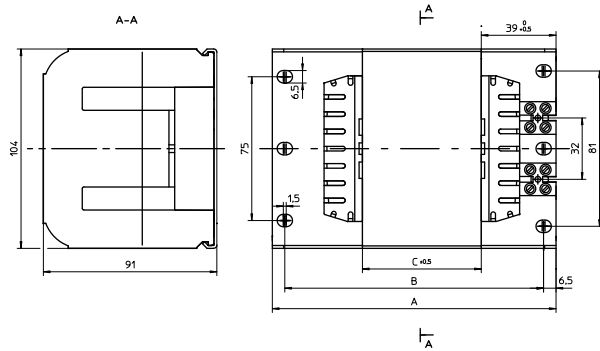
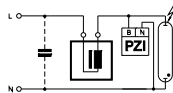
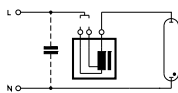
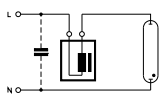
Shape: 91x104 mm

For mercury vapour lamps (HM) and metal halide lamps (HI) with ignition voltage 1 kV
Vacuum-impregnated with polyester resin

Screw terminals: 0.75–2.5 mm²

Protection class I

tw 130



Lamp			Ballast										Capacitor	
Output W	Type	Current A	Type	Ref. No.	Voltage AC V, Hz	a mm	b mm	c mm	Weight kg	Δt K	Power factor λ	Energy efficiency	C _P μF	I _N A
1000	HM	7.50	Q 1000.097	571257*	220, 50	173	160	96	6.97	75	0.61	A2	60	4.80
			Q 1000.096	571255*	230, 50	173	160	96	6.94	75	0.60	A2	60	4.80
			Q 1000.145	571256*	240, 50	173	160	96	6.90	75	0.58	A2	60	4.60
			Q 1000.311	571254*	220, 60	173	160	96	6.74	75	0.61	A2	50	5.00

* Suitable for metal halide lamps (HI) with ignition voltage 1 kV in combination with pulse ignitor PZI 1000/1 K

The values contained in this data sheet can change due to technical innovations. Any such changes will be made without separate notification.