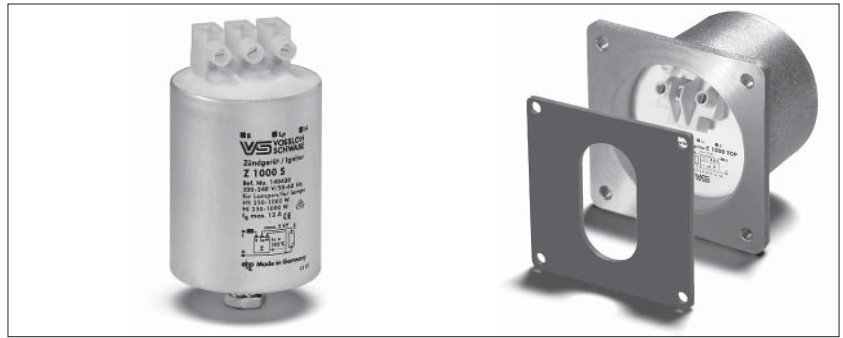
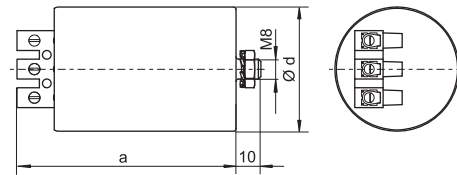


Electronic Superimposed Ignitors for HS and HI Lamps 250 to 1000 W

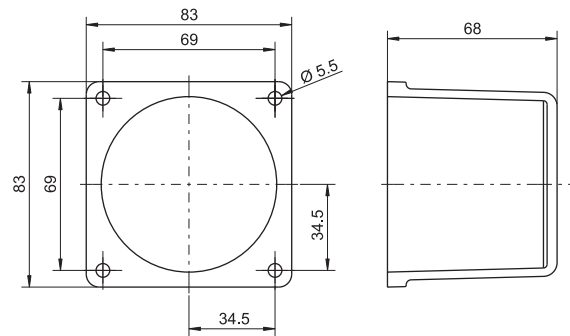
Standard version or with automatic switch-off
 For high pressure sodium lamps (HS)
 and metal halide lamps (HI)
 Phasing of the ignition voltage:
 60–90 °el and 240–270 °el
 Max. permitted casing temperature: 105 °C
 Screw terminals: 0.75–2.5 mm²
 (Z 1000 S: 0.75–4 mm²)
 Fastening: male nipple with pre-assembled
 washer and nut
 For luminaires of protection class I and II



Al casing



Z 1000 TOP



Type	Ref. No.	Voltage AC 50–60 Hz V	Max. lamp current A	Internal loss W	Inherent heating K	Ignition voltage kV	Load capacity µF	Switch-off time sec./Hz	Casing			Weight g	
									d (Ø) mm	a mm	b mm		c mm
Aluminium casing (Al)													
Z 1000 S	140430	220–240	12	< 6	< 35	4–5	20–100	—	50	80	—	—	340
Z 1000 TOP	140607**	220–240	12	< 6	< 35	4–5	20–100	—	—	83	83	68	620
Z 1000 S D20	141584*	220–240	12	< 6	< 35	4–5	20–100	1216/50–60	50	80	—	—	340

* With IPP technology

** For flange-mounting with gasket for degree of protection IP55

