



• Street light



• Area light/ Sport light



• Billboard lighting

### Key Features

- Modern and elegant design
- Up to 130lm/W
- From 50W to 200W full range
- IP65 grade protection

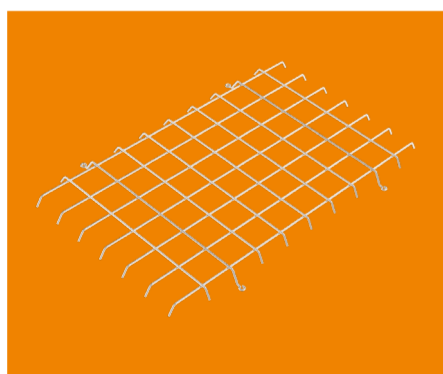
### Applications



### Specifications

Model No.	3702-50W	3702-100W	3702-150W	3702-200W
Product Dimension	295*217*46(mm)	332*263*60(mm)	392*263*60(mm)	392*313*60(mm)
Efficiency	130±10lm/W			
Luminous Flux (±10%)	6500±500lm	13000±1000lm	19500±1500lm	26000±2000lm
LED Quantity	96 PCS SMD 2835	192PCS SMD 2835	288 PCS SMD 2835	384 PCS SMD 2835
CCT	3000K;4000K;5000K;6000K			
Ingress Protection	IP65			
Color Rendering Index	Ra>70			
Beam Angle	120°			
Driver Brand	TOMCARLINE			
Input Voltage	AC 200-240V			
Power Factor	>0.95			
Frequency	47-63HZ			
Driver Type	Constant Current (CC)			
Luminaire Net Weight	2.7kg	3.6kg	4.3kg	5kg
Packing Information	6PCS/CTN	4PCS/CTN	2PCS/CTN	2PCS/CTN
Export Carton Size	490*345*230(mm)	615*385*195(mm)	450*310*195(mm)	450*360*195(mm)
Gross Weight	16.5kg	16kg	10kg	11kg
Material	Housing	Aluminum Alloy		
	Optics	Tempered glass		
Finish	Powder Coating			
Fixture Color	Black			
Mounting Option	Bracket Installation/ Slip Fitter			
Storage temperature range	-30℃~+70℃			
Storage humidity range	85% max			
Operating temperature range	-30℃~+40℃			
Operating humidity range	85% max			
Life Time	50000H			
Warranty	3 Years			
Optional Accessories	Metal breathing valve			
	60mm/76mm Slip-fitter for street light, Area light/ Sport light or billboard lighting			
	CRI >80/ 90 optional			
	Wire guard			
Aluminum shading cover				

### Accessories



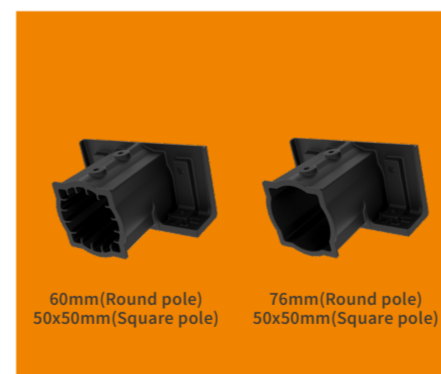
Wire guard



Aluminum shading cover

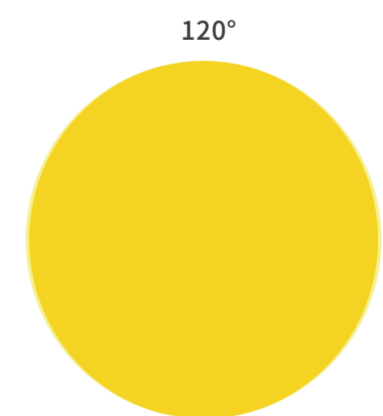


Metal breathing valve



Slip fitter for street light, Area light/ Sport light or billboard lighting

### Light distribution curve



### Dimensions

