



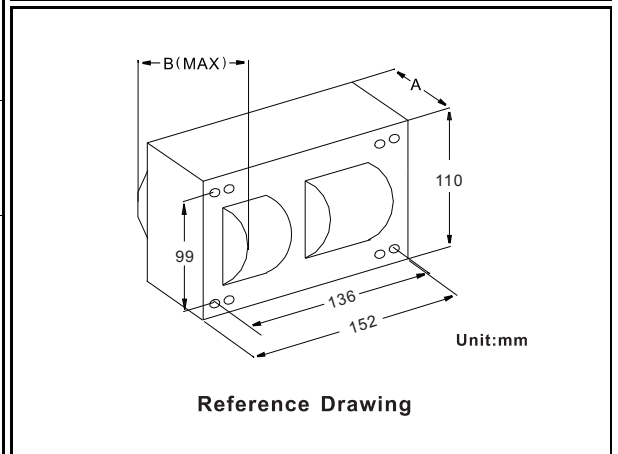
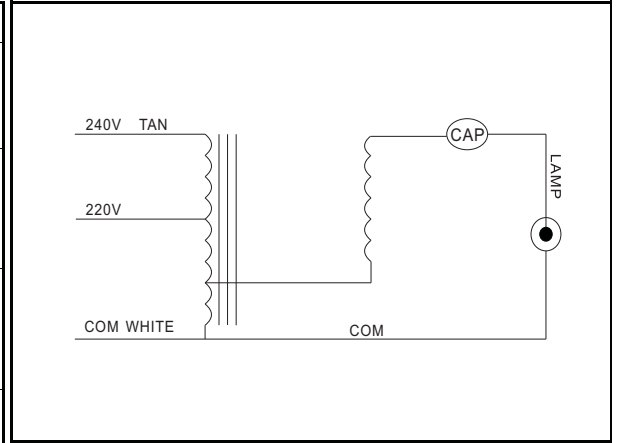
**VENTURE[®]
LIGHTING**

Specification Sheet

1000W M47

**CWA MH1000W
Metal Halide
220/240V 50Hz**

Input Volts	220	240			
Regulation					
Line Volts	±5%	±5%			
Lamp Watts	±10%	±10%			
Power Factor (min)	90%	90%			
Input Watts(max)	1085W	1085W			
NOM. Open Circuit Voltage	425V	425V			
Line Current (Amps)					
Operating	4.85	4.60			
Open Circuit	1.20	1.40			
UL Temperature Ratings					
Insulation Class	H (180°C)	H (180°C)			
Temperature Code	D	D			
MIN. Starting Temperature	-20F-30°C	-20F-30°C			
CAPACITOR Specifications					
Microfarads	28 uf	28 uf			
Volts (min.)	480 V	480 V			
50Hz Test Procedures					
High Potential Test 1 Minute	1600 V	1600 V			
High Potential Test 1 Second	2000 V	2000 V			
Secondary Open Ckt Voltage (V)	380-485	380-485			
Secondary Current Shorted (A)	4.70-7.00	4.70-7.00			
Input Open Circuit Current (A)	0.20-2.50	0.20-2.50			
Input Short Circuit Current (A)	3.50-6.50	3.50-6.50			
Core and Coil Specifications					
Dimension A	80mm				
Dimension B	170mm				
Coil Material (Pri. / Sec.):	Cu/Cu				



--

--

Internal Approval		Customer Approval	
Signature	Date	Signature	Date