



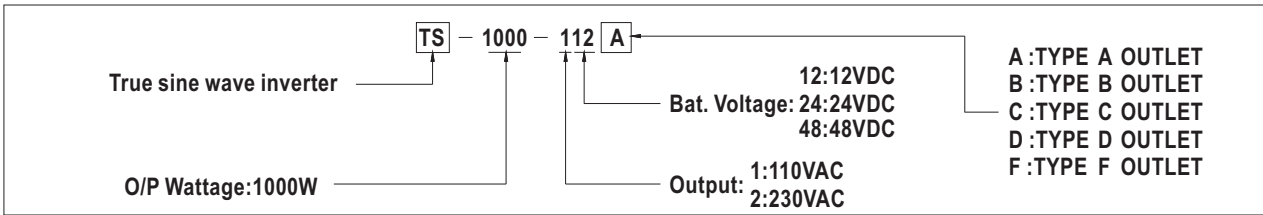
■ Features :

- True sine wave output (THD<3%)
- High surge power up to 2000W
- High efficiency up to 92%
- Power ON-OFF switch
- Standby saving mode can be selected
- Front panel indicator for operation status
- Built-in fan ON-OFF control function
- Protections: Bat. low alarm / Bat. low shutdown / Over voltage / Over temp. / Output short / Input reverse polarity / Overload
- Application : Home appliance, power tools, office and portable equipment, vehicle and yacht ...etc.
- 3 years warranty



SPECIFICATION

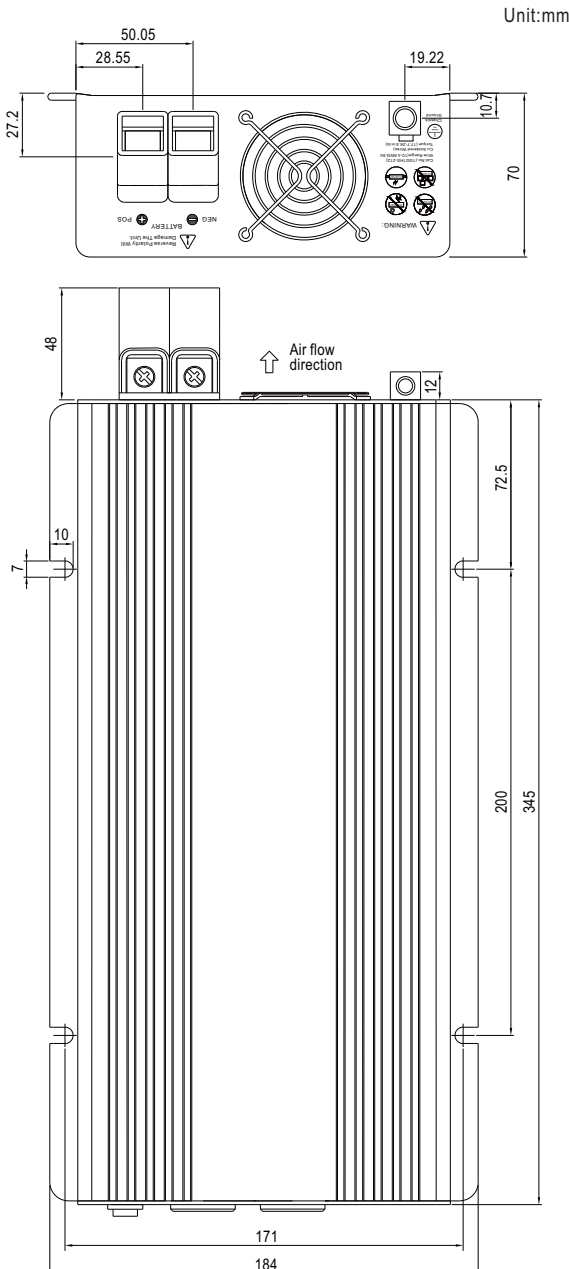
| MODEL NO.                |   | TS-1000-112□  | TS-1000-124□ | TS-1000-148□  | TS-1000-212□   | TS-1000-224□ | TS-1000-248□ |
|--------------------------|---|---|--------------|---------------|--|--------------|--------------|
|                          |   | □ = A, F  |              |               | □ = B, C, D  |              |              |
| OUTPUT                   | RATED POWER (Typ.)  | 1000W   |              |               |  |              |              |
|                          | MAXIMUM OUTPUT POWER (Typ.)   | 1150W for 180 sec. / 1500W for 10 sec. / surge power 2000W for 30 cycles  |              |               |  |              |              |
|                          | AC VOLTAGE  | Factory setting set at 110VAC<br>100 / 110 / 115 / 120VAC selectable by setting button S.W                          |              |               | Factory setting set at 230VAC<br>200 / 220 / 230 / 240VAC selectable by setting button S.W |              |              |
|                          | FREQUENCY <small>Note.8</small>   | 60±0.1Hz 50/60Hz selectable by setting button S.W   |              |               | 50±0.1Hz 50/60Hz selectable by setting button S.W  |              |              |
|                          | WAVEFORM <small>Note.6</small>  | True sine wave (THD<3%)   |              |               |  |              |              |
|                          | AC REGULATION (Typ.)  | ±3.0%   |              |               |  |              |              |
|                          | SAVING MODE (Typ.)  | Default disabled. Load ≤5W will be changed to standby mode  |              |               |  |              |              |
| FRONT PANEL INDICATOR    | Battery voltage level, output load level, saving mode, fault and operation status   |   |              |               |  |              |              |
| INPUT                    | BAT. VOLTAGE  | 12V   | 24V          | 48V           | 12V  | 24V          | 48V          |
|                          | VOLTAGE RANGE (Typ.) <small>Note.4,6</small>  | 10.5 ~ 15VDC  | 21 ~ 30VDC   | 42 ~ 60VDC    | 10.5 ~ 15VDC   | 21 ~ 30VDC   | 42 ~ 60VDC   |
|                          | DC CURRENT (Typ.)   | 100A  | 50A          | 25A           | 100A   | 50A          | 25A          |
|                          | NO LOAD DISSIPATION (Typ.)  | ≤6W @ standby saving mode   |              |               |  |              |              |
|                          | OFF MODE CURRENT DRAW   | ≤1mA  |              |               |  |              |              |
|                          | EFFICIENCY (Typ.) <small>Note.1</small>   | 88%   | 89%          | 90%           | 90%  | 91%          | 92%          |
|                          | BATTERY TYPES   | Open & sealed lead acid   |              |               |  |              |              |
| BATTERY INPUT PROTECTION | FUSE  | 40A*4   | 40A*2        | 20A*2         | 40A*4  | 40A*2        | 20A*2        |
|                          | BAT. LOW ALARM  | 11.3±4%   | 22.5±4%      | 45±4%         | 11.3±4%  | 22.5±4%      | 45±4%        |
|                          | BAT. LOW SHUTDOWN   | 10.5±4%   | 21±4%        | 42±4%         | 10.5±4%  | 21±4%        | 42±4%        |
|                          | REVERSE POLARITY  | By internal fuse open   |              |               |  |              |              |
| OUTPUT PROTECTION        | OVER TEMPERATURE  | 90°C ± 5°C  |              |               | 70°C ± 5°C   |              |              |
|                          | OUTPUT SHORT  | Protection type : Shut down o/p voltage, re-power on to recover; by internal RTH3 detect on heatsink of power diode |              |               |  |              |              |
|                          | OVER LOAD (Typ.)  | 105 ~ 115% load for 180 sec., 115% ~ 150% load for 10 sec.  |              |               |  |              |              |
|                          | GFCI PROTECTION   | Optional (Only type F)  |              |               |  | None         |              |
| ENVIRONMENT              | WORKING TEMP. <small>Note.3</small>   | 0 ~ +40°C @ 100% load ; +60°C @ 50% load  |              |               |  |              |              |
|                          | WORKING HUMIDITY  | 20% ~ 90% RH non-condensing   |              |               |  |              |              |
|                          | STORAGE TEMP., HUMIDITY   | -30 ~ +70°C / -22 ~ +158°F, 10 ~ 95% RH non-condensing  |              |               |  |              |              |
|                          | VIBRATION   | 10 ~ 500Hz, 3G 10min./1cycle, 60min. each along X, Y, Z axes  |              |               |  |              |              |
| SAFETY & EMC             | SAFETY STANDARDS  | UL458 (only for "GFCI" receptacle-Type F), EAC TP TC 004  |              | EAC TP TC 004 | IEC62368-1 CB, EAC TP TC 004 approved  |              |              |
|                          | WITHSTAND VOLTAGE   | Bat I/P - AC O/P:3.0KVAC AC O/P - FG:1.5KVAC  |              |               |  |              |              |
|                          | ISOLATION RESISTANCE  | Bat I/P - AC O/P, Bat I/P - FG, AC O/P - FG: 100M ohms / 500VDC / 25°C / 70% RH                                     |              |               |  |              |              |
|                          | EMC EMISSION  | Compliance to FCC class A, EAC TP TC 020  |              |               | Compliance to EN55032 class A, 72/245/ CEE, 95/ 54/ CE, E-Mark, EAC TP TC 020              |              |              |
|                          | EMC IMMUNITY  | Compliance to EAC TP TC 020   |              |               | Compliance to EN61000-4-2,3,8, EAC TP TC 020   |              |              |
| OTHERS                   | MTBF  | 66.9K hrs min. MIL-HDBK-217F (25°C)   |              |               |  |              |              |
|                          | DIMENSION   | 345*184*70mm (L*W*H)  |              |               |  |              |              |
|                          | PACKING   | 4.3Kg; 2pcs/9.6Kg/1.16CUFT  |              |               |  |              |              |
|                          | COOLING   | Loading controlled cooling fan for GFCI receptacle-type F ; Thermostatically controlled cooling fan for others.     |              |               |  |              |              |
| NOTE                     | <p>1.Efficiency is tested by 750W, linear load at 13V, 26V, 52V input voltage.</p> <p>2.All parameters not specified above are measured at rated load, 25°C of ambient temperature and set to factory setting.</p> <p>3.Output derating capacity referenced by curve 1.</p> <p>4.Input derating capacity referenced by curve 2.</p> <p>5.The tolerance of each voltage value by models is:112/212→±0.5V;124/224→±1V;148/248→±2V</p> <p>6.THd is tested by 1000W, linear load at 13,26,52V input voltage.</p> <p>7.The ambient temperature derating of 3.5°C/1000m with fanless models and of 5°C/1000m with fan models for operating altitude higher than 2000m(6500ft).</p> <p>8.Type F for 60Hz only.</p> <p>※ Product Liability Disclaimer : For detailed information, please refer to <a href="https://www.meanwell.com/serviceDisclaimer.aspx">https://www.meanwell.com/serviceDisclaimer.aspx</a></p> |   |              |               |  |              |              |



■ AC Output Socket (optional)

| MODEL NO.   | TS-1000-112 <input type="checkbox"/> | TS-1000-124 <input type="checkbox"/> | TS-1000-148 <input type="checkbox"/> | TS-1000-212 <input type="checkbox"/> | TS-1000-224 <input type="checkbox"/> | TS-1000-248 <input type="checkbox"/> |
|-------------|--------------------------------------|--------------------------------------|--------------------------------------|--------------------------------------|--------------------------------------|--------------------------------------|
| Socket type |                                      |                                      |                                      |                                      |                                      |                                      |
|             | TYPE-A                               | TYPE-F                               | TYPE-B                               | TYPE-C                               | TYPE-D                               | TYPE-D                               |
|             | Standard                             | Optional                             | Standard                             | Optional                             | Optional                             | Optional                             |
| Country     | USA                                  | GFCI (60Hz)                          | EUROPE                               | AUSTRALIA                            | U.K.                                 | U.K.                                 |
| Certificate |                                      |                                      |                                      |                                      |                                      |                                      |

■ Mechanical Specification



■ Derating Curve

