

LED PERFORMANCE FLOODLIGHT

The LEDVANCE® LED PERFORMANCE FLOODLIGHT is a reliable and high efficacy LED floodlight with aluminum die-cast housing for general-purpose applications. It provides performance LED alternative to traditional double-ended halogen-lamp floodlights. The range is available in 5 housing sizes for different wattages to meet most of the application requirements. The long lifetime enables substantial energy and maintenance savings. A universal mounting bracket allows wall or surface mounting that tilts upwards or downwards. The LEDVANCE® LED PERFORMANCE FLOODLIGHT is available in black housing.

Product Features & Benefits

- Available in 65W, 80W, 125W, 165W, 200W
- SMD LED design to maximize product reliability
- CRI >80
- High system efficiency up to 125lm/W
- Standard CCT: 3000K, 4000K, 6500K
- Aluminum die-cast housing
- Elegant slim design reduces windage
- Tempered frosted front glass to increase uniformity
- IP65 water and dust proof
- IK08 vandal-protected
- Available in black housing
- Long 50,000hr lifetime reduces maintenance costs
- Pre-wired with 1m mains cable
- Built in breather
- Safety compliance certificates: CB

Application Areas:

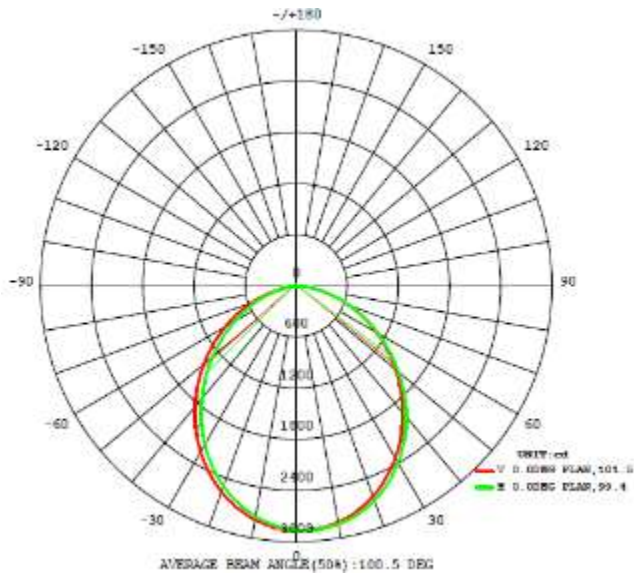
- Architecture and landscape lighting
- Industrial warehouses lighting
- Billboard and advertising lighting
- Security, amenity and parking area lighting

General Specifications

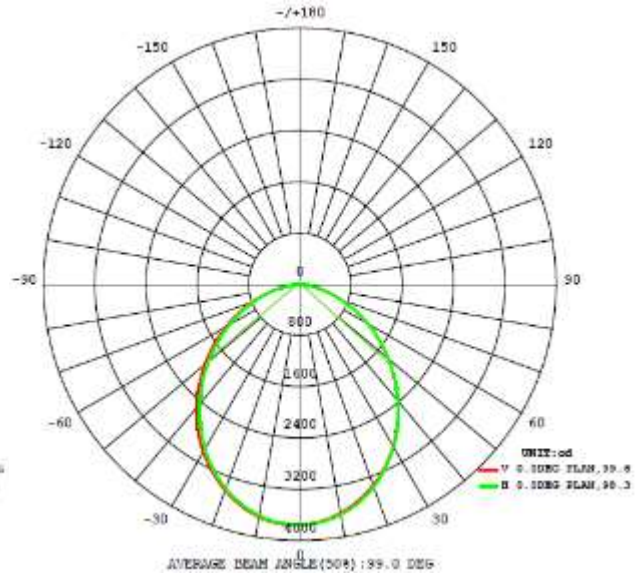
LEDVANCE® LED PERFORMANCE FLOODLIGHT						
Electrical Data	Wattage	65W	80W	125W	165W	200W
	Rated Input Voltage	100 - 277VAC				
	Input current	0.68A max. 0.33A@230V	0.82A max. 0.43A@230V	1.35A max. 0.63A@230V	1.75A max. 0.83A@230V	2.1A max. 1A@230V
	Power factor	0.9				
	Line frequency	50/60Hz				
	Surge protection	4KV/6KV				
	Protection class	Class I				
Optical / Photometric	Rated lumens @3000K	7150	8800	13750	18150	22000
	Rated lumens @4000&6500K	8000	10000	15000	20000	25000
	Beam angle	100°				
	CCT (K)	3000 & 4000 & 6500				
	CRI	>80				
	Lumen efficacy	110lm/W @3000K 120+lm/W@4000 & 6500K				
	LED	SMD				
	Rated lifetime	50,000 hrs @ L70 B50 35°C				
	Operating temperature	-30 - +50°C				
	Storage temperature	-30 - +70°C				
Housing	Project area(m ²)	0.046	0.061	0.083	0.102	0.124
	Material	Die-cast aluminum				
	Front glass	Tempered frost glass				
	Heat sink	Die-cast Aluminum				
	Housing color	Black				
	Ingress protection	IP 65				
	Shock protection	IK08				
	Driver	Non-isolated Driver				

Polar intensity diagram

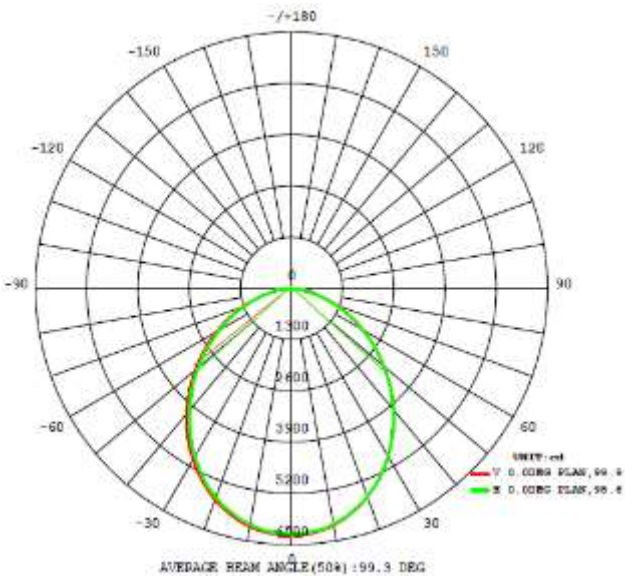
65W



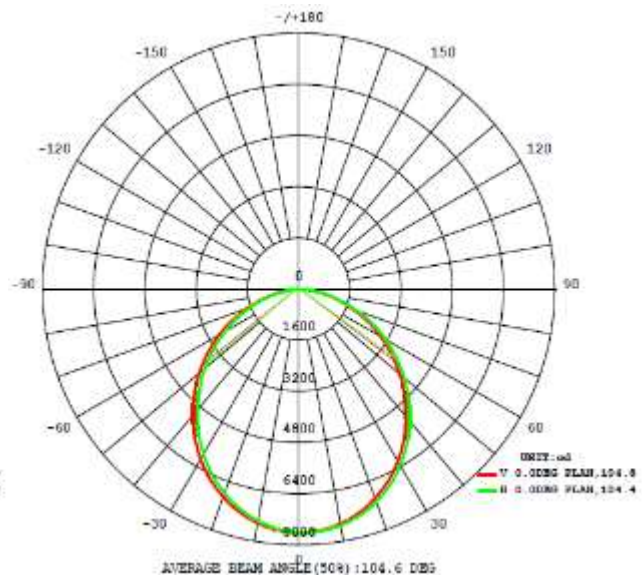
80W



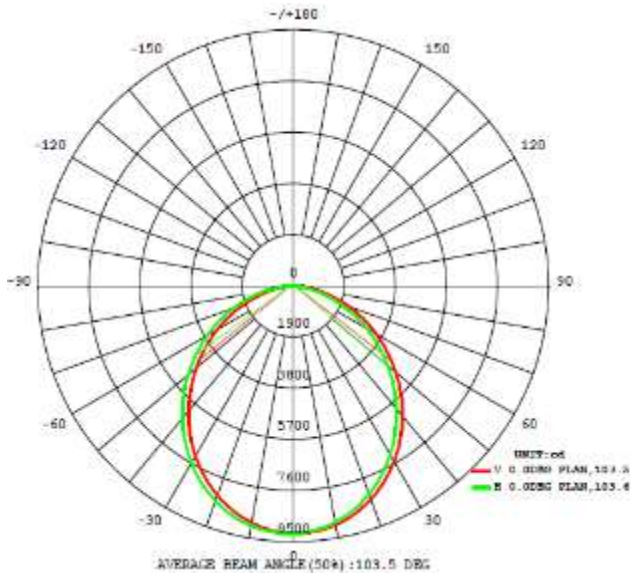
125W



165W



200w



Ordering Codes for APM EN Version:

Material	Short Text	Model Name	Ship Units	EAN-010	EAN-040
AC238110055	LDPFM FL 65W 830 277V BK 4X1 EN LEDV	LDPFM-FL-65W-WV-AM	4	4058075429123	4058075429130
AC238120055	LDPFM FL 65W 840 277V BK 4X1 EN LEDV	LDPFM-FL-65W-WV-AM	4	4058075429147	4058075429154
AC238130055	LDPFM FL 65W 865 277V BK 4X1 EN LEDV	LDPFM-FL-65W-WV-AM	4	4058075429161	4058075429178
AC238140055	LDPFM FL 80W 830 277V BK 2X1 EN LEDV	LDPFM-FL-80W-WV-AM	2	4058075429185	4058075429192
AC238150055	LDPFM FL 80W 840 277V BK 2X1 EN LEDV	LDPFM-FL-80W-WV-AM	2	4058075429208	4058075429215
AC238160055	LDPFM FL 80W 865 277V BK 2X1 EN LEDV	LDPFM-FL-80W-WV-AM	2	4058075429222	4058075429239
AC238170055	LDPFM FL 125W 830 277V BK 2X1 EN LEDV	LDPFM-FL-125W-WV-AM	2	4058075429246	4058075429253
AC238180055	LDPFM FL 125W 840 277V BK 2X1 EN LEDV	LDPFM-FL-125W-WV-AM	2	4058075429260	4058075429277
AC238190055	LDPFM FL 125W 865 277V BK 2X1 EN LEDV	LDPFM-FL-125W-WV-AM	2	4058075429284	4058075429291
AC238200055	LDPFM FL 165W 830 277V BK 2X1 EN LEDV	LDPFM-FL-165W-WV-AM	2	4058075429307	4058075429314
AC238210055	LDPFM FL 165W 840 277V BK 2X1 EN LEDV	LDPFM-FL-165W-WV-AM	2	4058075429321	4058075429338
AC238220055	LDPFM FL 165W 865 277V BK 2X1 EN LEDV	LDPFM-FL-165W-WV-AM	2	4058075429345	4058075429352
AC238230055	LDPFM FL 200W 830 277V BK 2X1 EN LEDV	LDPFM-FL-200W-WV-AM	2	4058075429369	4058075429376
AC238240055	LDPFM FL 200W 840 277V BK 2X1 EN LEDV	LDPFM-FL-200W-WV-AM	2	4058075429383	4058075429390
AC238250055	LDPFM FL 200W 865 277V BK 2X1 EN LEDV	LDPFM-FL-200W-WV-AM	2	4058075429406	4058075429413



Ordering Codes for APM TW Version:

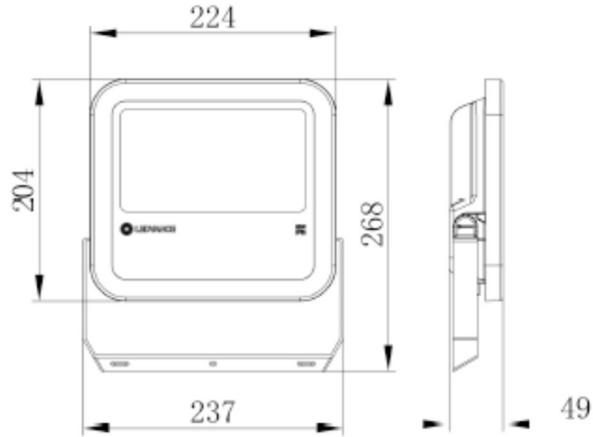
Material	Short Text	Model Name	Ship Units	EAN-010	EAN-040
AC238170155	LDPFM FL 125W 830 277V BK 2X1 TW LEDV	LDPFM-FL-125W-WV-AM	2	4058075472303	4058075472310
AC238190155	LDPFM FL 125W 865 277V BK 2X1 TW LEDV	LDPFM-FL-125W-WV-AM	2	4058075472327	4058075472334
AC238230155	LDPFM FL 200W 830 277V BK 2X1 TW LEDV	LDPFM-FL-200W-WV-AM	2	4058075472341	4058075472358
AC238250155	LDPFM FL 200W 865 277V BK 2X1 TW LEDV	LDPFM-FL-200W-WV-AM	2	4058075472365	4058075472372

Ordering Codes for AU Version:

Material	Short Text	Model Name	Ship Units	EAN-010	EAN-040
AC238110155	LDPFM FL 65W 830 277V BK 4X1 AU LEDV	LDPFM-FL-65W-WV-AU	4	4058075476578	4058075476585
AC238120155	LDPFM FL 65W 840 277V BK 4X1 AU LEDV	LDPFM-FL-65W-WV-AU	4	4058075476592	4058075476608
AC238130155	LDPFM FL 65W 865 277V BK 4X1 AU LEDV	LDPFM-FL-65W-WV-AU	4	4058075476615	4058075476622
AC238140155	LDPFM FL 80W 830 277V BK 2X1 AU LEDV	LDPFM-FL-80W-WV-AU	2	4058075476639	4058075476646
AC238150155	LDPFM FL 80W 840 277V BK 2X1 AU LEDV	LDPFM-FL-80W-WV-AU	2	4058075476653	4058075476660
AC238160155	LDPFM FL 80W 865 277V BK 2X1 AU LEDV	LDPFM-FL-80W-WV-AU	2	4058075476677	4058075476684
AC238170255	LDPFM FL 125W 830 277V BK 2X1 AU LEDV	LDPFM-FL-125W-WV-AU	2	4058075476691	4058075476707
AC238180155	LDPFM FL 125W 840 277V BK 2X1 AU LEDV	LDPFM-FL-125W-WV-AU	2	4058075476714	4058075476721
AC238190255	LDPFM FL 125W 865 277V BK 2X1 AU LEDV	LDPFM-FL-125W-WV-AU	2	4058075476738	4058075476745
AC238200155	LDPFM FL 165W 830 277V BK 2X1 AU LEDV	LDPFM-FL-165W-WV-AU	2	4058075476752	4058075476769
AC238210155	LDPFM FL 165W 840 277V BK 2X1 AU LEDV	LDPFM-FL-165W-WV-AU	2	4058075476776	4058075476783
AC238220155	LDPFM FL 165W 865 277V BK 2X1 AU LEDV	LDPFM-FL-165W-WV-AU	2	4058075476790	4058075476806
AC238230255	LDPFM FL 200W 830 277V BK 2X1 AU LEDV	LDPFM-FL-200W-WV-AU	2	4058075476813	4058075476820
AC238240155	LDPFM FL 200W 840 277V BK 2X1 AU LEDV	LDPFM-FL-200W-WV-AU	2	4058075476837	4058075476844
AC238250255	LDPFM FL 200W 865 277V BK 2X1 AU LEDV	LDPFM-FL-200W-WV-AU	2	4058075476851	4058075476868

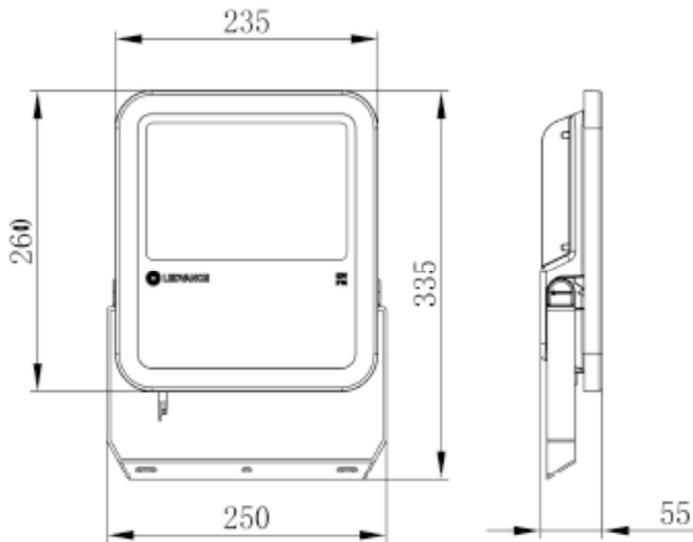
Drawing/Dimensions:

65W



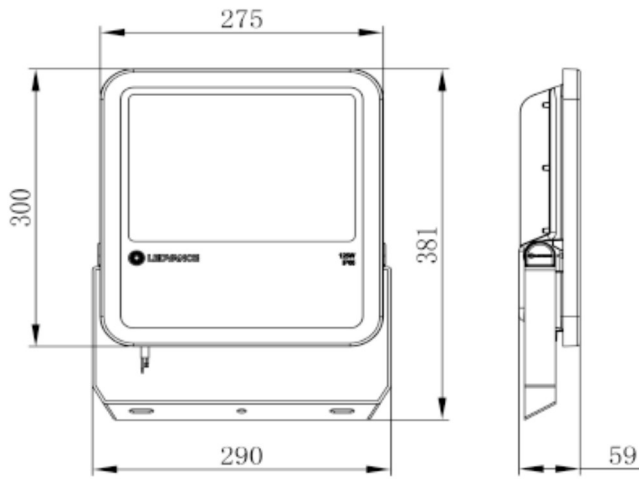
65W	Length	Width	Height	Weight
	237mm	268mm	49mm	2.05kg

80W



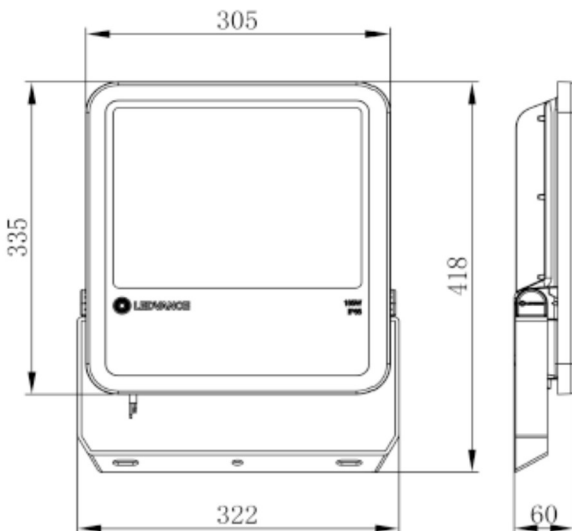
80W	Length	Width	Height	Weight
	260mm	335mm	55mm	2.8kg

125W

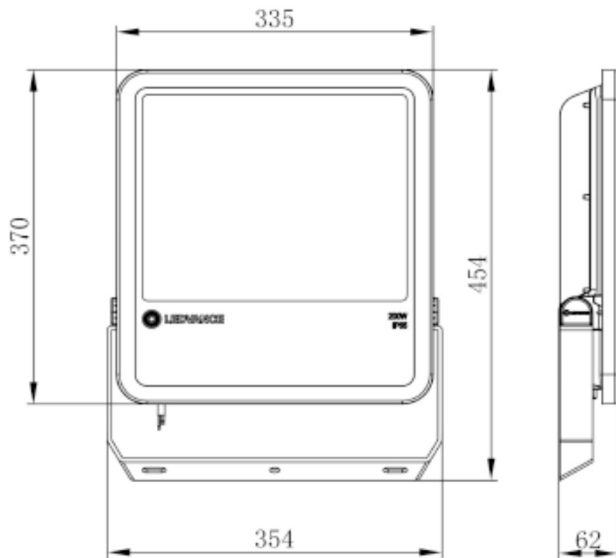


125W	Length	Width	Height	Weight
	290mm	381mm	59mm	3.81kg

165W



1650W	Length	Width	Height	Weight
	418mm	322mm	60mm	4.82kg

200W


200W	Length	Width	Height	Weight
	354mm	454mm	62mm	5.99kg