



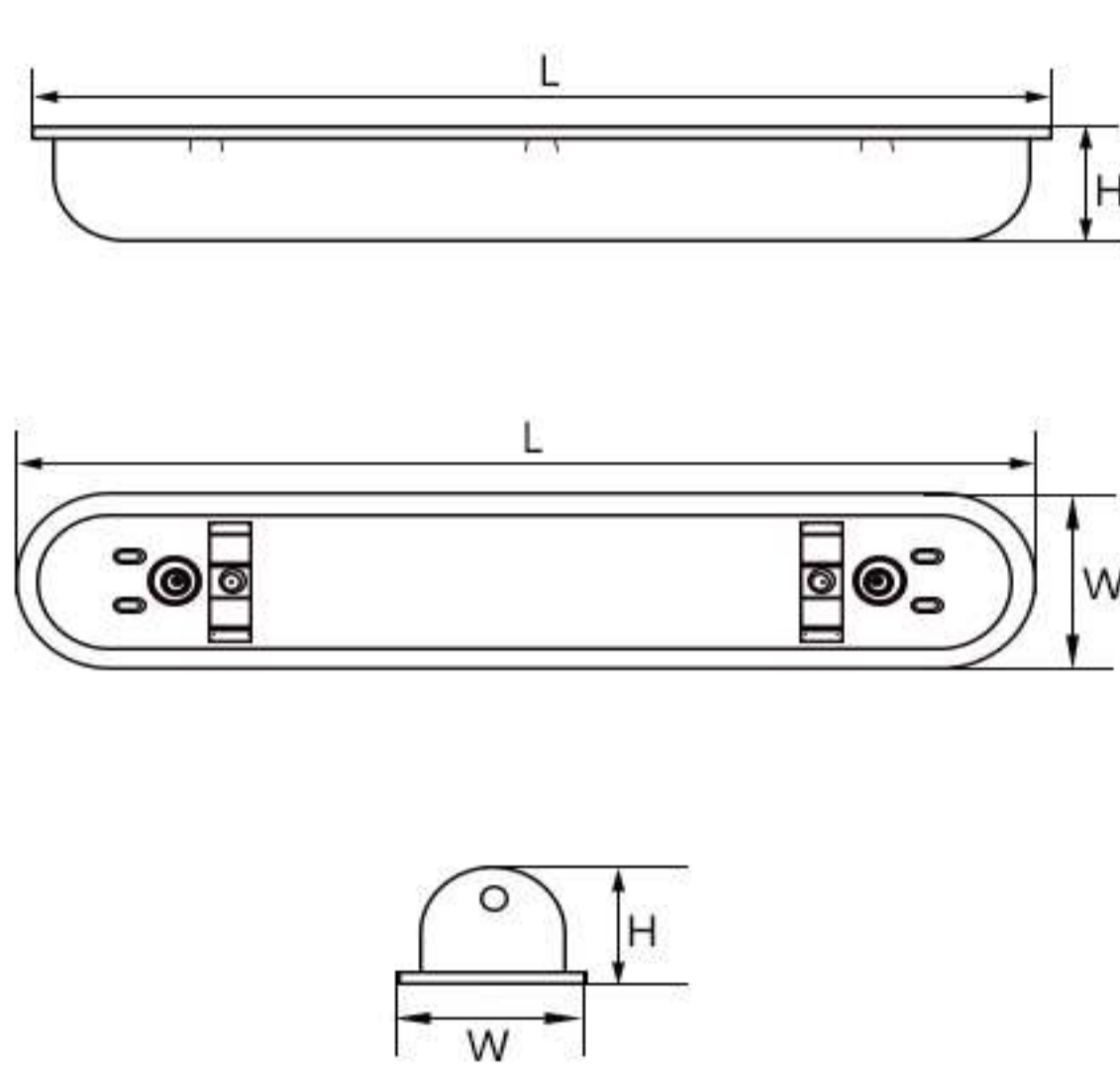
Stainless Steel Housing Series
Triple Proof Light



Features

- ▶ Base: stainless steel 304, can upgrade to 316
- ▶ Cover: toughened glass, it's fixed to the body with the help of a shell
- ▶ Sealing: silicone rubber
- ▶ Lock: stainless steel
- ▶ Installation: installation individually. Mounting on the mounting surface with hangers

Dimension

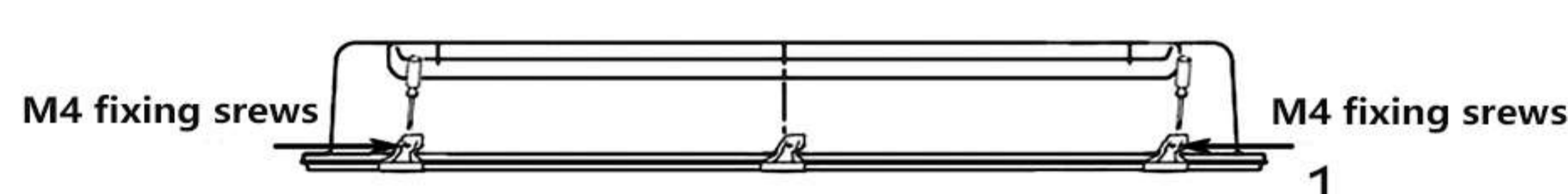


Specification Sheet

Model No.	Watt(W)	IP Rating	N.W (Kg/Ctn)	G.W. (Kg/Ctn)	Product Size (L*W*H) (MM)	Base	Cover
LLX-TriProof-SS-118	1*18	IP65	2.8	3.0	700*140*90	Stainless steel	toughened glass
LLX-TriProof-SS-218	2*18	IP65	3.5	3.8	700*190*90	Stainless steel	toughened glass
LLX-TriProof-SS-136	1*36	IP65	4.7	5.0	1300*140*90	Stainless steel	toughened glass
LLX-TriProof-SS-236	2*36	IP65	6.0	6.8	1300*190*90	Stainless steel	toughened glass
LLX-TriProof-SS-158	1*58	IP65	6.0	6.4	1600*140*90	Stainless steel	toughened glass
LLX-TriProof-SS-258	2*58	IP65	7.0	8.1	1600*190*90	Stainless steel	toughened glass

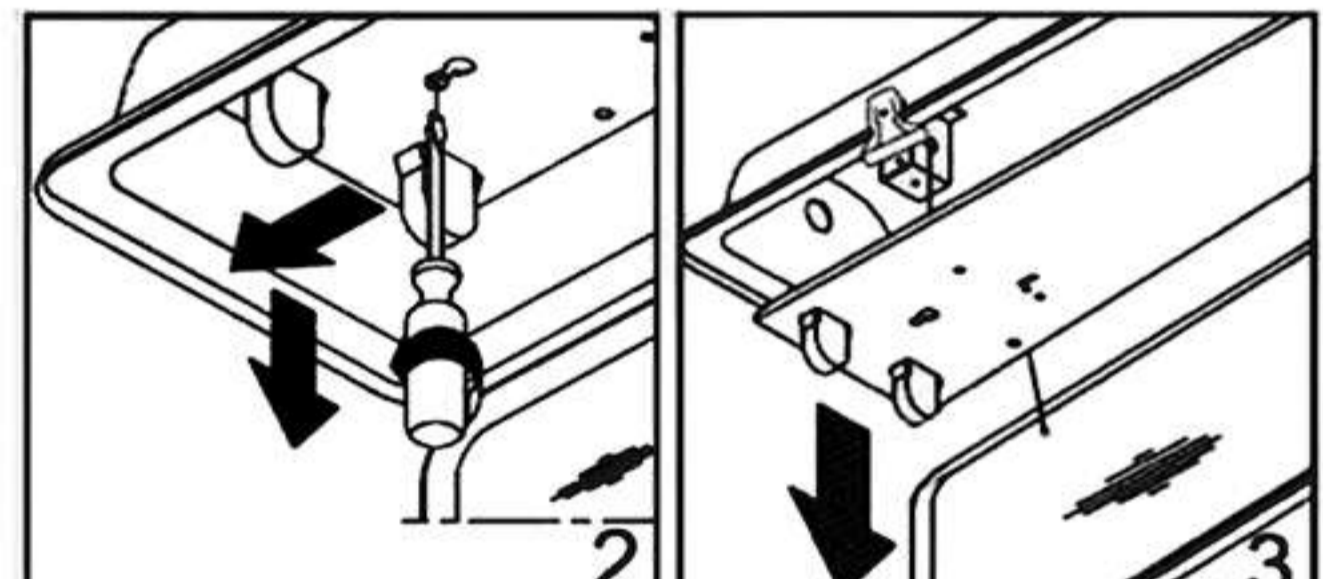
Stainless Steel Housing Series
Triple Proof Light

Install Instructions

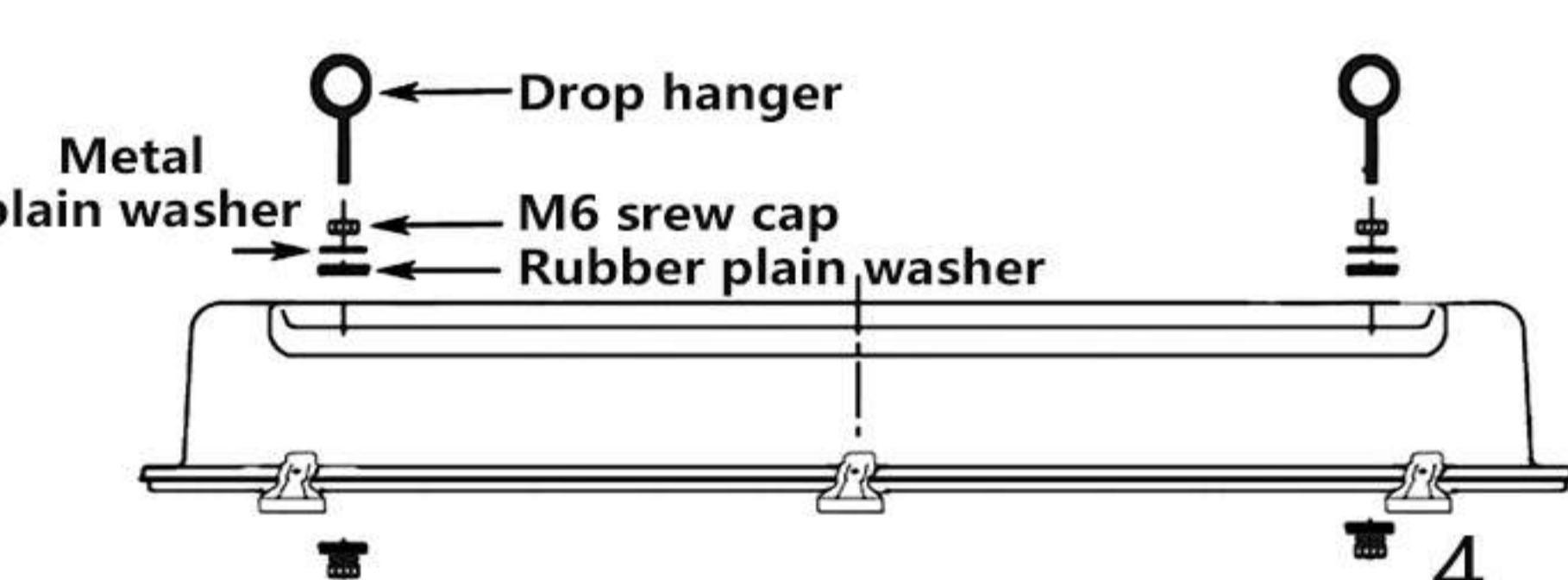
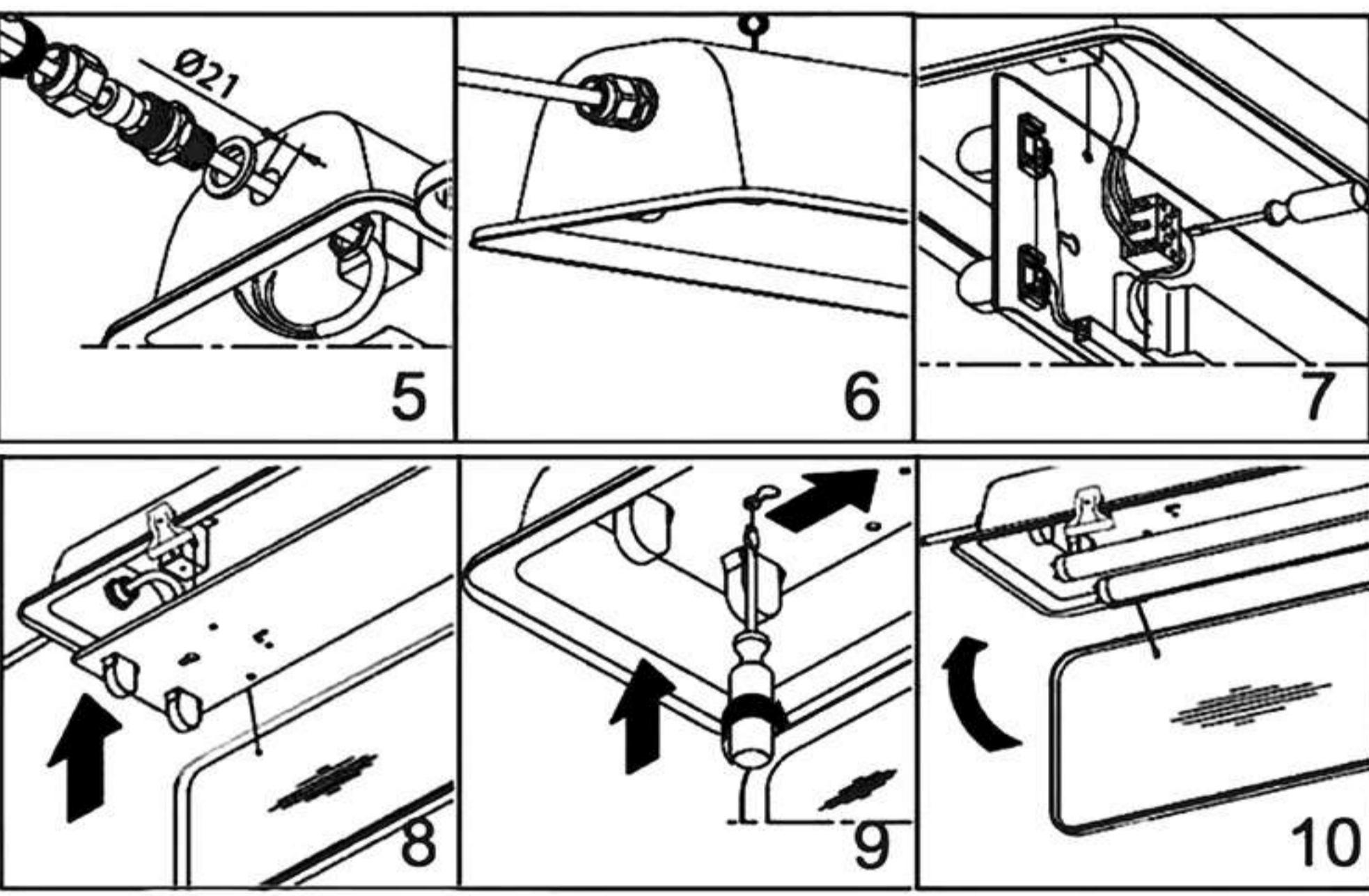


Remarks:

1. There are 4 pieces of M4 fixing screws in the accessory bag, these are for optional use.
2. Unscrew the 4 M4 fixing screws in the fitting before attempting to open it.
3. Tighten the 4 M4 fixing screws back into place after wiring the fitting.



The gear tray and the glass have been removed

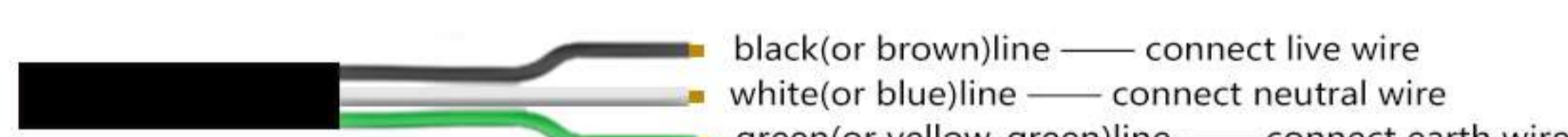


NOTES:

- ▶ Make sure the luminaries are installed and fitted by a qualified electrician ensuring the installation complies to the current.
- ▶ National Electrical Code and all local codes.
- ▶ Ensure all electrical connections are secure & that there are no loose strands.
- ▶ This is a Class I product and must be earthed.
- ▶ Make sure that the fixings are adequate to support the weight of the fitting.
- ▶ Before installation or maintenance, turn off electric power and allow the fitting to be cool.

WIRING INSTRUCTION OF MAIN CABLE:

WARNING:



The product must be grounded and installed in accordance with the National Electrical Code and all local codes. Failure to do so may increase the RISK OF PERSONAL INJURY, PROPERTY DAMAGE, FIRE AND DEATH.

Stainless Steel Housing Series
Triple Proof Light

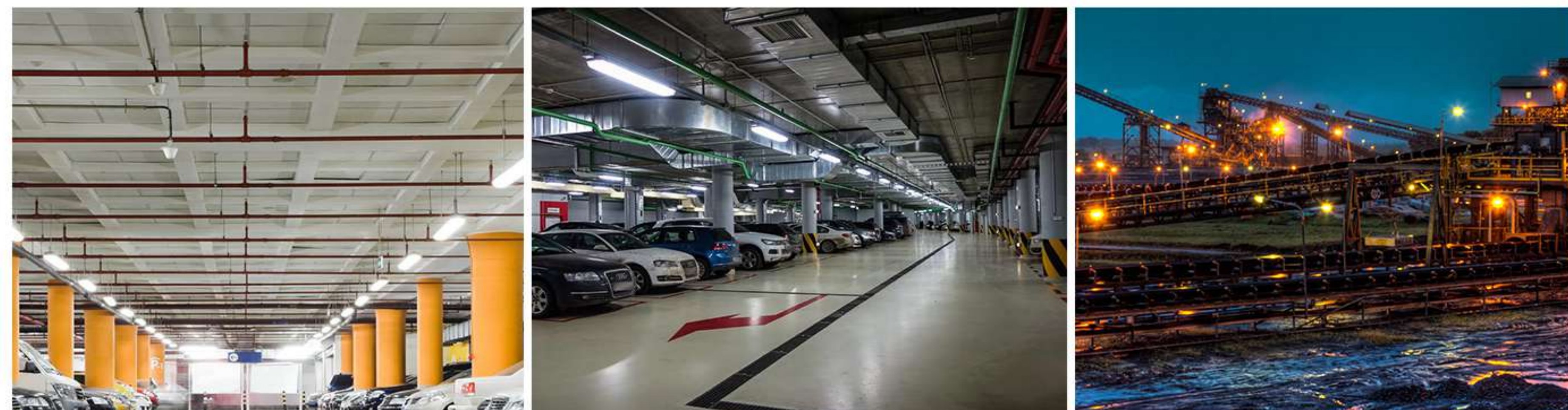
PACKAGING DATA
1PCS/CTN



Model No.	Power (W)	Q'ty/Ctn	N.W (Kg/Ctn)	G.W. (Kg/Ctn)	Carton Dim (L*W*H) (MM)
LLX-TriProof-SS-118	1*18(W)	1	2.8	3.0	750*195*145
LLX-TriProof-SS-218	2*18(W)	1	3.5	3.8	750*245*145
LLX-TriProof-SS-136	1*36(W)	1	4.7	5.0	1350*195*145
LLX-TriProof-SS-236	2*36(W)	1	6.0	6.8	1350*245*145
LLX-TriProof-SS-158	1*58(W)	1	6.0	6.4	1650*195*145
LLX-TriProof-SS-258	2*58(W)	1	7.0	8.1	1650*245*145

Applications:

Can be used in some specific applications. Reliability and durability, High mechanical strength, Corrosion & Explosion resistant. Saulty, acid or arrosion applications like chicken farm, ship, harbor, chemical factory or beach projects Industry, garages, gas station & workshops.



AFTER-SALE SERVICE

LONGLUX warrants this LONGLUX-branded hardware product against defects in materials and workmanship under normal use for a period of FIVE(5) YEARS from the date of purchase. LONGLUX provides free repair or replacement within warranty PERIOD. LONGLUX shall charge LONGLUX by abnormal storage, usage, connect on or change the structure or any components of the product.

*Damage by thunder stroke over 4KV(L,N to FG)/4KV(L to N) will not covered by warranty based on IEC6100-4-5.