

Doc. No.			
Version:1.0	Audit No : 0	In Total 8 Pages	1/8

PRODUCT SPECIFICATION

产品规格书



Model	OHBF8197 D	Formulate	Fengze Lv
Product name	LED Fluorecent explosion proof light	Proofreading	
江苏欧辉照明灯具有限公司 Jiangsu Ouhui Lighting Co.,Ltd.		Review	
		Approve	
		Date	2019.7.24

Doc. No.			
Version:1.0	Audit No : 0	In Total 8 Pages	2/8

目 录

CONTENTS

1.Picture of real products.....	3
2.Features.....	4
3.Product parameters	5
4.Dimensions	6
5.Install.....	6
6.Caution	7

Doc. No.			
Version:1.0	Audit No : 0	In Total 8 Pages	3/8

1、Picture of real products



Doc. No.			
Version:1.0	Audit No : 0	In Total 8 Pages	4/8

2. Features

2.1 、 Application


This product is suitable for dangerous places in zones 1 and 2, explosive gas environments of Class II A, II B and II C, mixing temperature of explosive gases: T1~T5, widely used in dangerous environments such as petroleum, chemical industry, military industry, medicine, mine, working and scene lighting of dangerous places such as offshore oil platforms, oil tankers, etc.

2.2 、 Product Features

- 1 、 Products can work safely in various flammable and explosive places.
- 2 、 Cast aluminium alloy shell, surface spraying anti-static, corrosion-resistant, waterproof, dust-proof, can be used in high temperature, humidity and various corrosive harsh environments for a long time;
- 3 、 Transparent toughened glass protective cover, good light transmittance, impact resistance, high light flux, energy saving, environmental protection and other advantages.
- 4 、 Beautiful appearance, simple and reliable structure, easy installation; structural steel pipe or cable wiring can be;
- 5 、 Independent wiring cavity design makes wiring more convenient and fast.

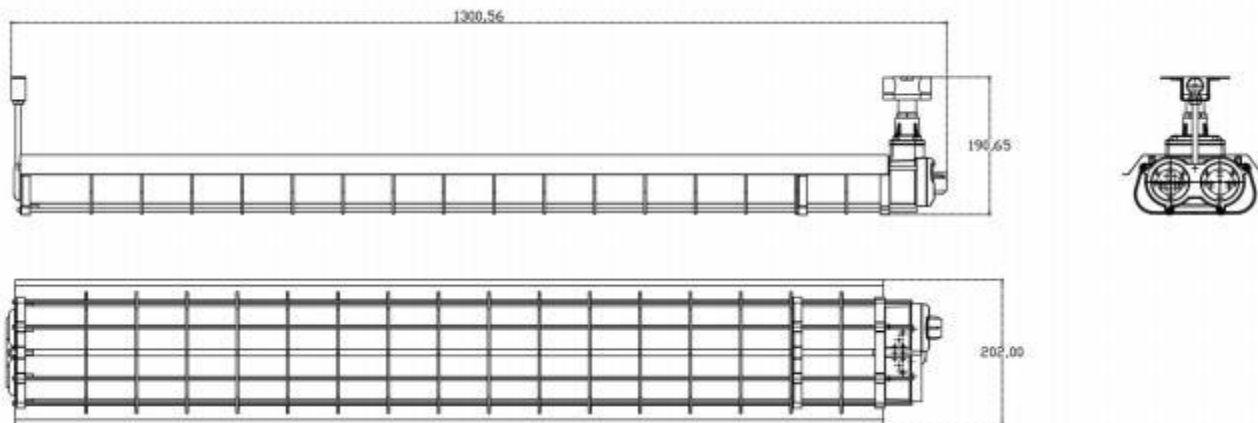
Doc. No.			
Version:1.0	Audit No : 0	In Total 8 Pages	5/8

3、Product parameters

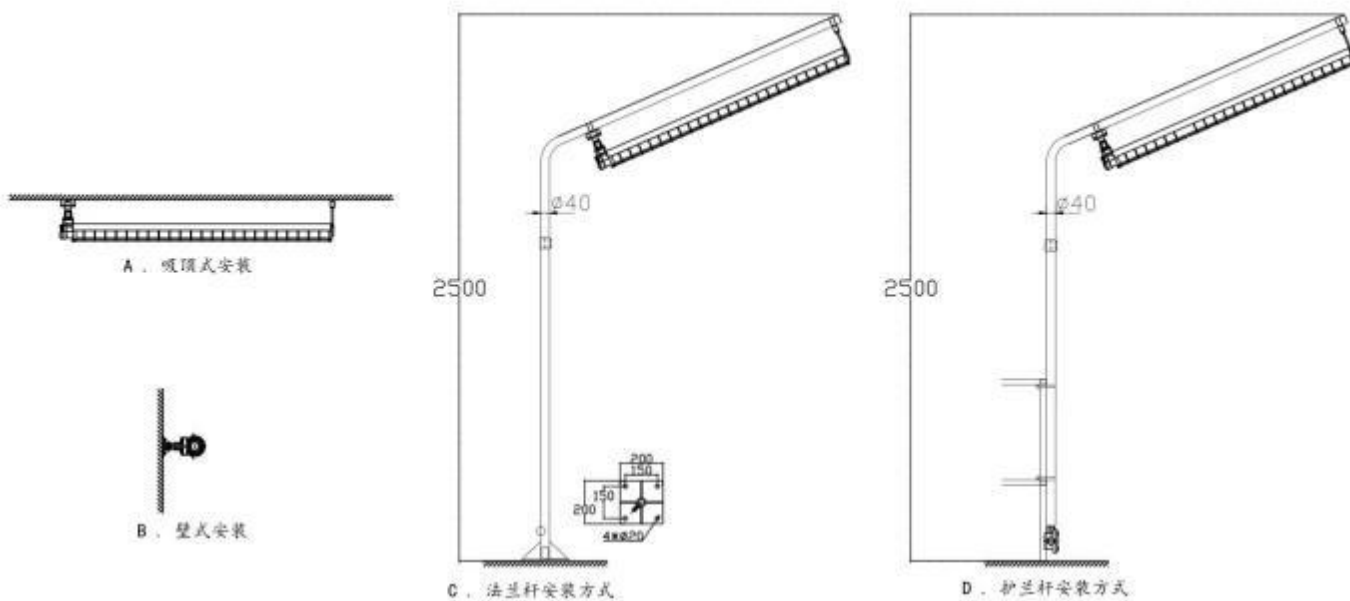
ITEM	Symbol	Description		Unit
Picture of real products				
Rated Voltage	VOLT	220		V
Power	P	2*18/2*36		W
Protection Level	IP	IP65		IP
Lighting Angle	θ	360		$^{\circ}$
Light source specifications	/	T8 Fluorecent tube	T8 led tube	
Anticorrosion grade	/	WF2		
Explosion proof grade	/	Ex d IIC T6		
Light efficiency	η	> 90	> 120	Lm/W
Frequency	f	50/60		Hz
Power Factor	PF	> 0.95		PF
Operating Temperature	TOPR	-30~50		$^{\circ}$ C
Light Source	/	led		PCS
Correlate Color Temperature	Tc	3000K-6500		K
Color Rendering Index	CRI	≥ 70		RA
LED'S Operating Life	LIFE	50000		Hours
Start-up time	T	≤ 0.2		S
Executive standard	/	GB3836.1、GB3836.2		
Size	/	1280*202*146		mm
Weight	/	5.4		KG

Doc. No.			
Version:1.0	Audit No : 0	In Total 8 Pages	6/8

4、Dimensions



5.Install



Doc. No.			
Version:1.0	Audit No : 0	In Total 8 Pages	7/8

6、Caution

6.1、Schematic diagram

1. When installing and maintaining lamps and lanterns, the power supply must be disconnected first.
2. Non-professionals are not allowed to disassemble lamps and lanterns at will.
3. When used, there is a certain temperature rise on the surface of lamps and lanterns, which is a normal phenomenon; the central temperature of transparent parts is higher, so it is not allowed to touch directly with hands.

Warning:

- 1.Do not install directly on combustibles.
- 2.Replace any cracked protective screen.
- 3.Lamps must be grounded reliably.

6.2、Using The Matters Needing Attention

- 1、 This product is explosion-proof and can be used in various flammable and explosive places.
- 2、 Transport lights should be installed in the cartons equipped with foam shock absorption.
- 3、 The power supply voltage can work normally within the prescribed range, too high the power supply voltage will damage the lamps; too low the voltage will cause the lamps can not start normally.

Doc. No.			
Version:1.0	Audit No : 0	In Total 8 Pages	8/8

6.3 Quality Assurance

The company has passed ISO9001:2008 international quality system audit certification, this product strictly implements ISO9001 international quality management system standard production, to ensure that the product quality fully meets national standards and design requirements.