



Hazardous Location Linear Light LED

CES-EX-LN-02 Series (ATEX / IECEx)



CES-EX-LN-02 SERIES(ATEX / IECEX) HAZARDOUS LOCATION LINEAR LIGHT LED

Product description

LN-02 explosion proof lights obtained IECEX ATEX certificate, it's safe for the Zone 1 and Zone 2 hazardous location. The copper-free aluminum alloy body is powder-coated to increase durability and beautiful appearance, are able to withstand violent shaking and shock resistance. With long-life and high efficiency LED driver, it's more energy saving and no need to maintenance. Compared with traditional fluorescent lamps, it has a competitive return on investment.

The combination of multiple fixtures for the high canopy lighting, up to 72000lm.

Features

- Patent designed to be Curved Fin Shape,maximize the best heat transmit.
- Housing: Aluminum alloy (ADC12), good heat transmit.
- Lens: tempered glass shock & vibration resistant, Super clear, >90% light transmit.
- LED:LM80 certified, high efficacy, low decay, long lifespan.120 lm/W ± 5 , up to 72000lm.
- Meanwell LED Driver, >90% driver efficacy.
- Circuit design: 4KV/6Kv Surge Protection power supply.
- Protection: IP66, high protection grade for waterproof and dust-proof.

Certification

IECEX:

- Ex ec IIC T *Gc
- Ex tb IIIC T *°C Db;
- IP66;
- Certificate No:IECEX UL 22.0091X

ATEX :

- Ex II 3G Ex ec IIC T*Gc;
- Ex II 2D Ex tb IIIC T*Db;
- IP66;
- Certificate No:UL 22 ATEX 2543X,
UL 22 ATEX 2544X

Application

Wastewater treatment, oil and gas refineries, drilling rigs, offshore platforms, petrochemical facilities, chemical plants, coal mines, aviation bases, food plant, Pharmaceutical plant, beverage facilities, and where flammable vapors, gases, ignitable dusts, fibers or flyings are present.

Warranty

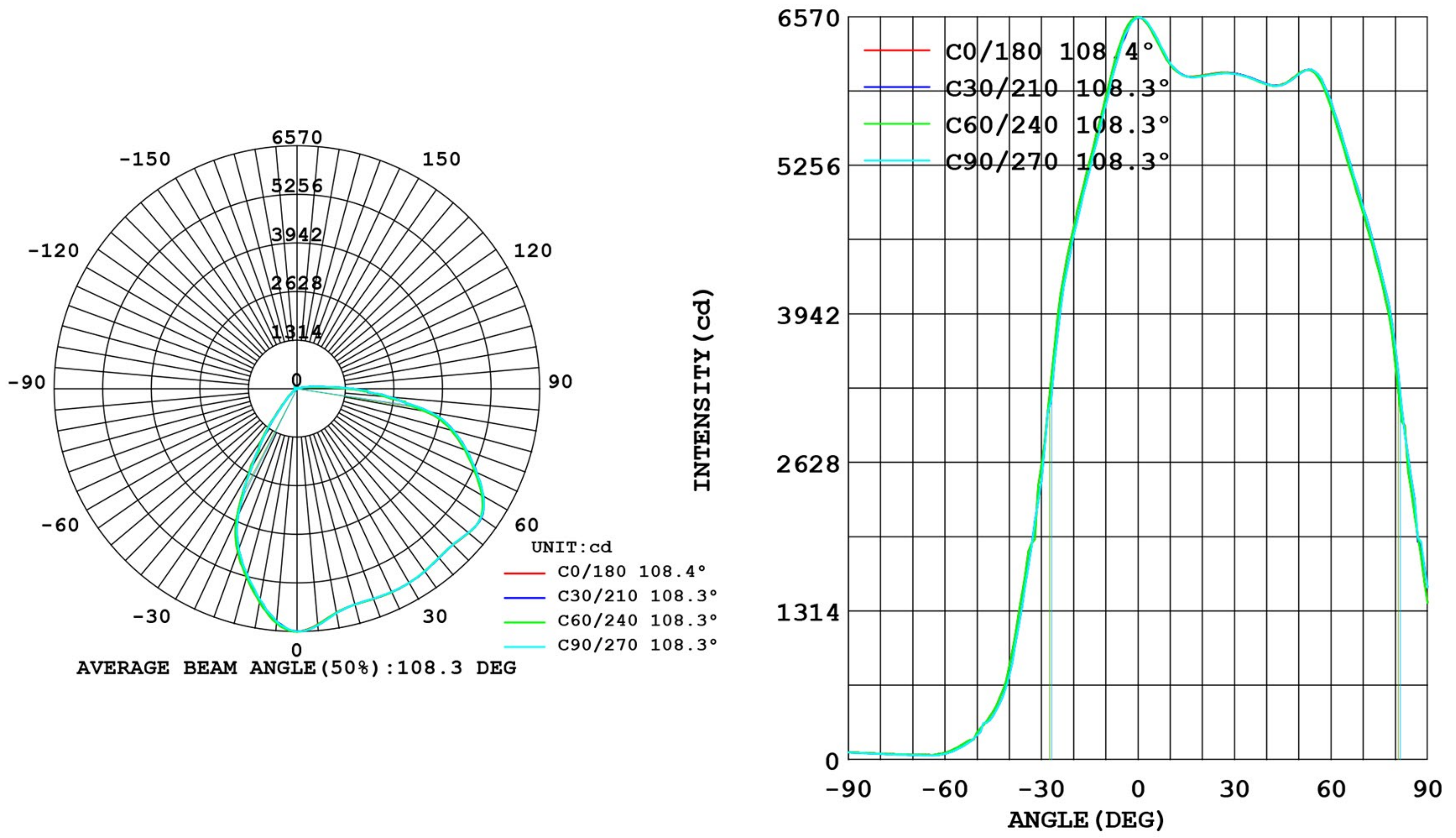
5-Year Standard Warranty



(Please see the specification of UL HazLoc version)



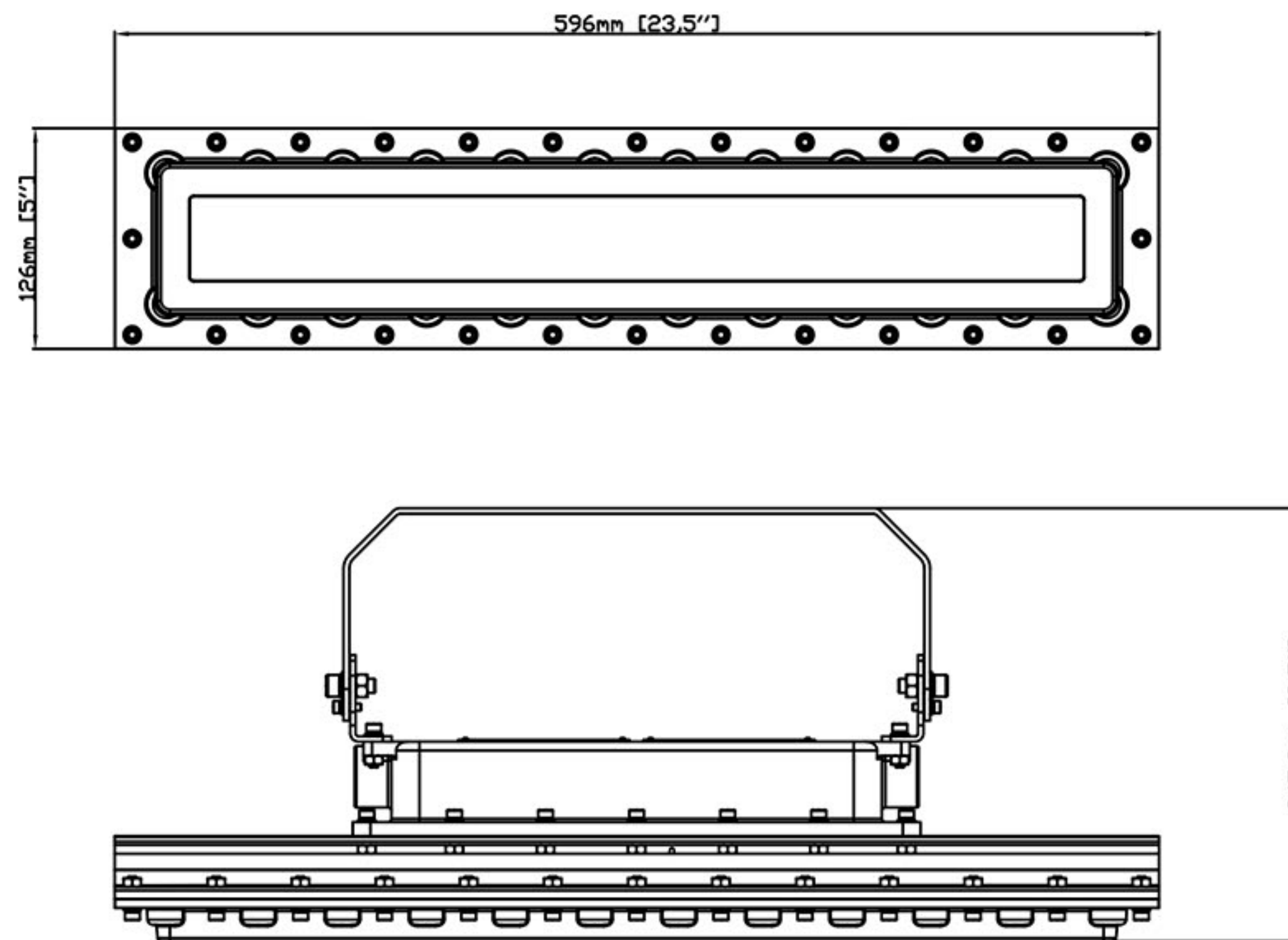
Lighting Distribution



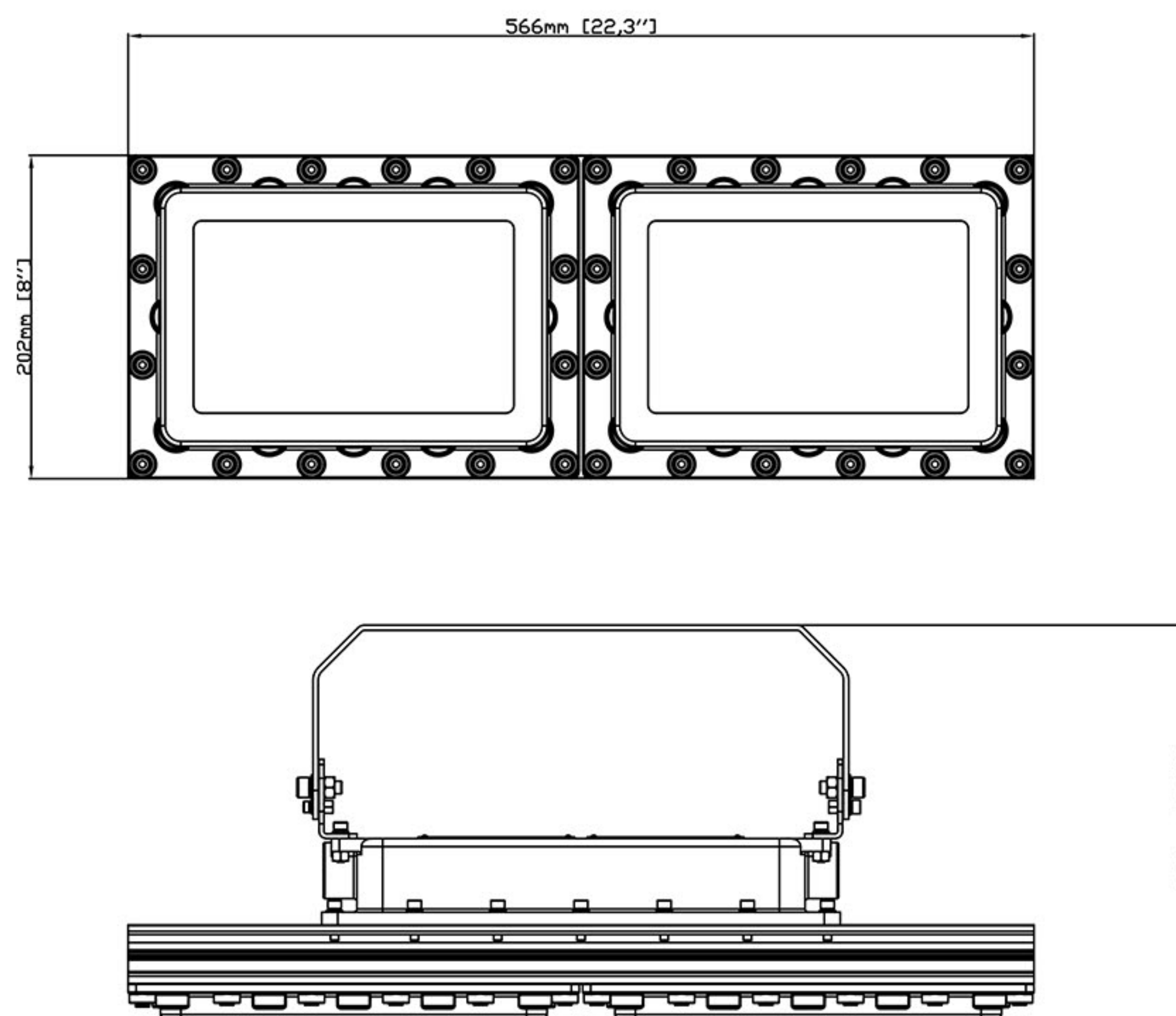
Height	AVR E	CENTER E	Diameter
1.00m	1734.59lx	6568.81lx	276.61cm
3.00m	192.73lx	729.87lx	829.82cm
5.00m	69.38lx	262.75lx	1383.03cm
7.00m	35.40lx	134.06lx	1936.24cm
9.00m	21.41lx	81.10lx	2489.45cm

Angle: 108.3deg

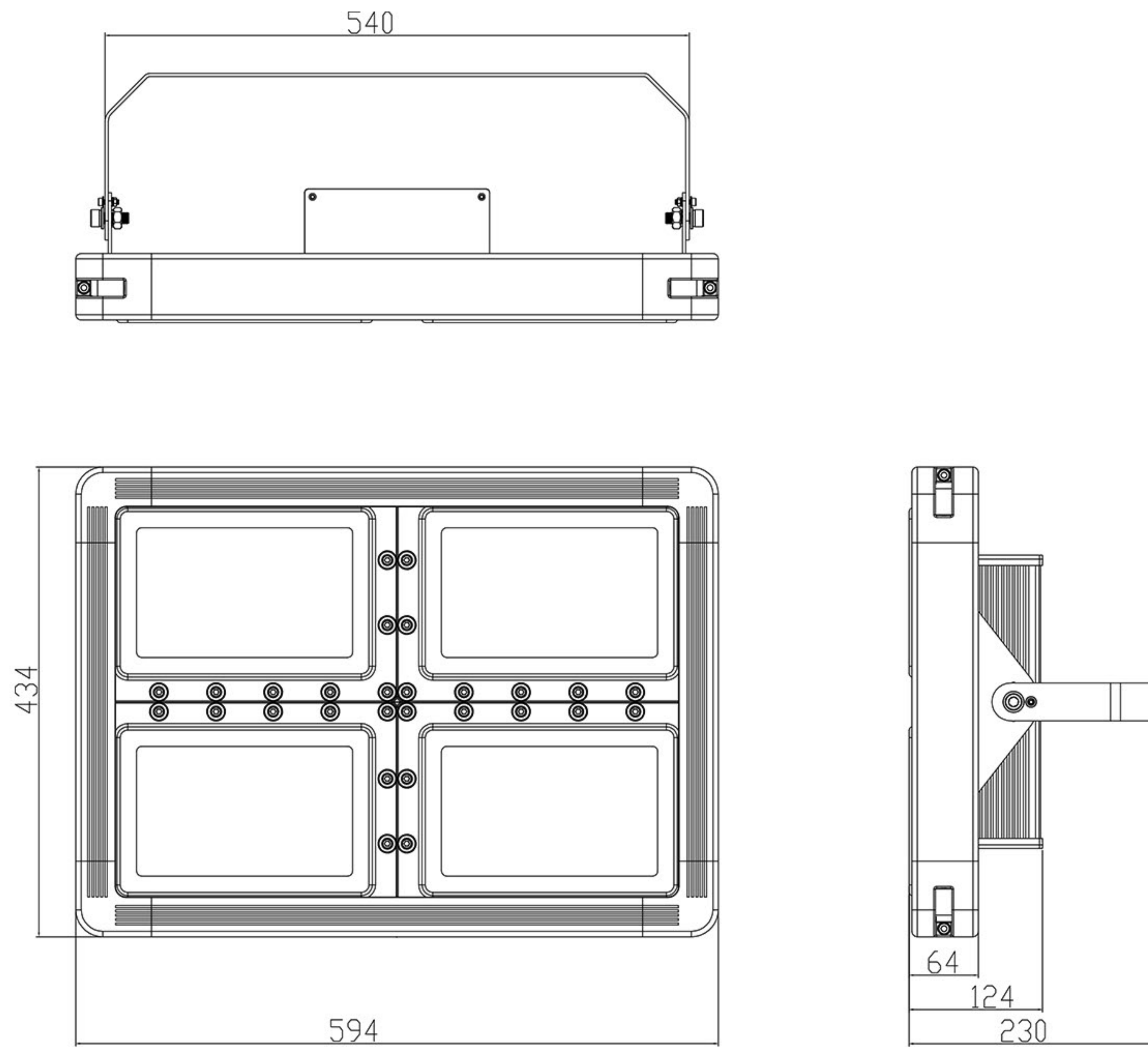
Size and packaging



Product Model	Product Size	Carton Size	QTY/CTN	Net Weight	Gross Weight
CES-EX-LN-02-40XXXX	596×126×114mm/23.5×5×4.5"	670×220×225mm/26.4×8.7×8.9"	1	8.25 kg/18.2 lbs	9.15 kg/20.2 lbs
CES-EX-LN-02-50XXXX	596×126×114mm/23.5×5×4.5"	670×220×225mm/26.4×8.7×8.9"	1	8.25 kg/18.2 lbs	9.15 kg/20.2 lbs
CES-EX-LN-02-60XXXX	596×126×114mm/23.5×5×4.5"	670×220×225mm/26.4×8.7×8.9"	1	8.25 kg/18.2 lbs	9.15 kg/20.2 lbs



Product Model	Product Size	Carton Size	QTY/CTN	Net Weight	Gross Weight
CES-EX-LN-02-80XXXX	566×202×112mm/21.9×8×4.4"	640×280×210mm/25.2×11.1×8.3"	1	11.6 kg/25.6 lbs	13.5 kg/29.76 lbs
CES-EX-LN-02-100XXXX	566×202×112mm/21.9×8×4.4"	640×280×210mm/25.2×11.1×8.3"	1	11.6 kg/25.6 lbs	13.5 kg/29.76 lbs
CES-EX-LN-02-120XXXX	566×202×112mm/21.9×8×4.4"	640×280×210mm/25.2×11.1×8.3"	1	11.6 kg/25.6 lbs	13.5 kg/29.76 lbs
CES-EX-LN-02-150XXXX	566×202×112mm/21.9×8×4.4"	640×280×210mm/25.2×11.1×8.3"	1	11.6 kg/25.6 lbs	13.5 kg/29.76 lbs



Product Model	Product Size	Carton Size	QTY/CTN	Net Weight	Gross Weight
CES-EX-LN-02-160XXXX	594×434×124mm/21.6×17.1×4.9"	—	1	—	—
CES-EX-LN-02-200XXXX	594×434×124mm/21.6×17.1×4.9"	—	1	—	—
CES-EX-LN-02-240XXXX	594×434×124mm/21.6×17.1×4.9"	—	1	—	—
CES-EX-LN-02-300XXXX	594×434×124mm/21.6×17.1×4.9"	—	1	—	—

Technical parameter

Product Model	CES-EX-LN-02-40~60XXXX	CES-EX-LN-02-80~150XXXX
Type	Hazardous Location Linear Light LED	Hazardous Location Linear Light LED
Light efficiency (Lm/W)	120 lm/W	120 lm/W
Power(W)	40W / 50W / 60W	80W / 100W / 120W / 150W
Voltage-Frequency	100-277Vac 50-60Hz	100-277Vac 50-60Hz
Color Temp	5000K (Provides 3000K to 6500K)	5000K (Provides 3000K to 6500K)
CRI(Ra)(typ.)	≥70	≥70
Luminous Flux (lm)	4800-72000	4800-72000
Power Supply	Meanwell HLG Series	Meanwell HLG Series
Beam Angle	90°, 110°	90°, 110°
Power Factor	>0.95	>0.95
Rated Lifetime-L70 (hrs.)	50,000	50,000
THD	<10%	<10%
Operating temperature	-40° C to +40° C	-40° C to +40° C
Entry Size	M25X1.5 (Standard), M26X1.5 or NPT 3/4"-14 (Optional)	M25X1.5 (Standard), M26X1.5 or NPT 3/4"-14 (Optional)
Cable	STOW, UL certification, 3x18AWG with 0.5m cable (standard)	STOW, UL certification, 3x18AWG with 0.5m cable (standard)

2/3/4 Fixtures(CES-EX-LN-02-80-150XXXX)

Product Model	2 Fixtures	3 Fixtures	4 Fixtures
Type	Hazardous Location Linear Light LED	Hazardous Location Linear Light LED	Hazardous Location Linear Light LED
Light efficiency (Lm/W)	120 lm/W	120 lm/W	120 lm/W
Power(W)	160W / 200W / 240W / 300W	240W / 300W / 360W / 450W	320W / 400W / 480W / 600W
Voltage-Frequency	100-277Vac 50-60Hz	100-277Vac 50-60Hz	100-277Vac 50-60Hz
Color Temp	5000K (Provides 3000K to 6500K)	5000K (Provides 3000K to 6500K)	5000K (Provides 3000K to 6500K)
CRI(Ra)(typ.)	≥70	≥70	≥70
Luminous Flux (lm)	4800-72000	4800-72000	4800-72000
Power Supply	Meanwell HLG Series	Meanwell HLG Series	Meanwell HLG Series
Beam Angle	40°, 120°, 140°	40°, 120°, 140°	40°, 120°, 140°
Power Factor	>0.95	>0.95	>0.95
Rated Lifetime-L70 (hrs.)	50,000	50,000	50,000
THD	<10%	<10%	<10%
Operating temperature	-40° C to +40° C	-40° C to +40° C	-40° C to +40° C
Entry Size	M25X1.5 (Standard), M26X1.5 or NPT 3/4"-14 (Optional)	M25X1.5 (Standard), M26X1.5 or NPT 3/4"-14 (Optional)	M25X1.5 (Standard), M26X1.5 or NPT 3/4"-14 (Optional)
Cable	STOW, UL certification, 3x18AWG with 0.5m cable (standard)	STOW, UL certification, 3x18AWG with 0.5m cable (standard)	STOW, UL certification, 3x18AWG with 0.5m cable (standard)

Product display



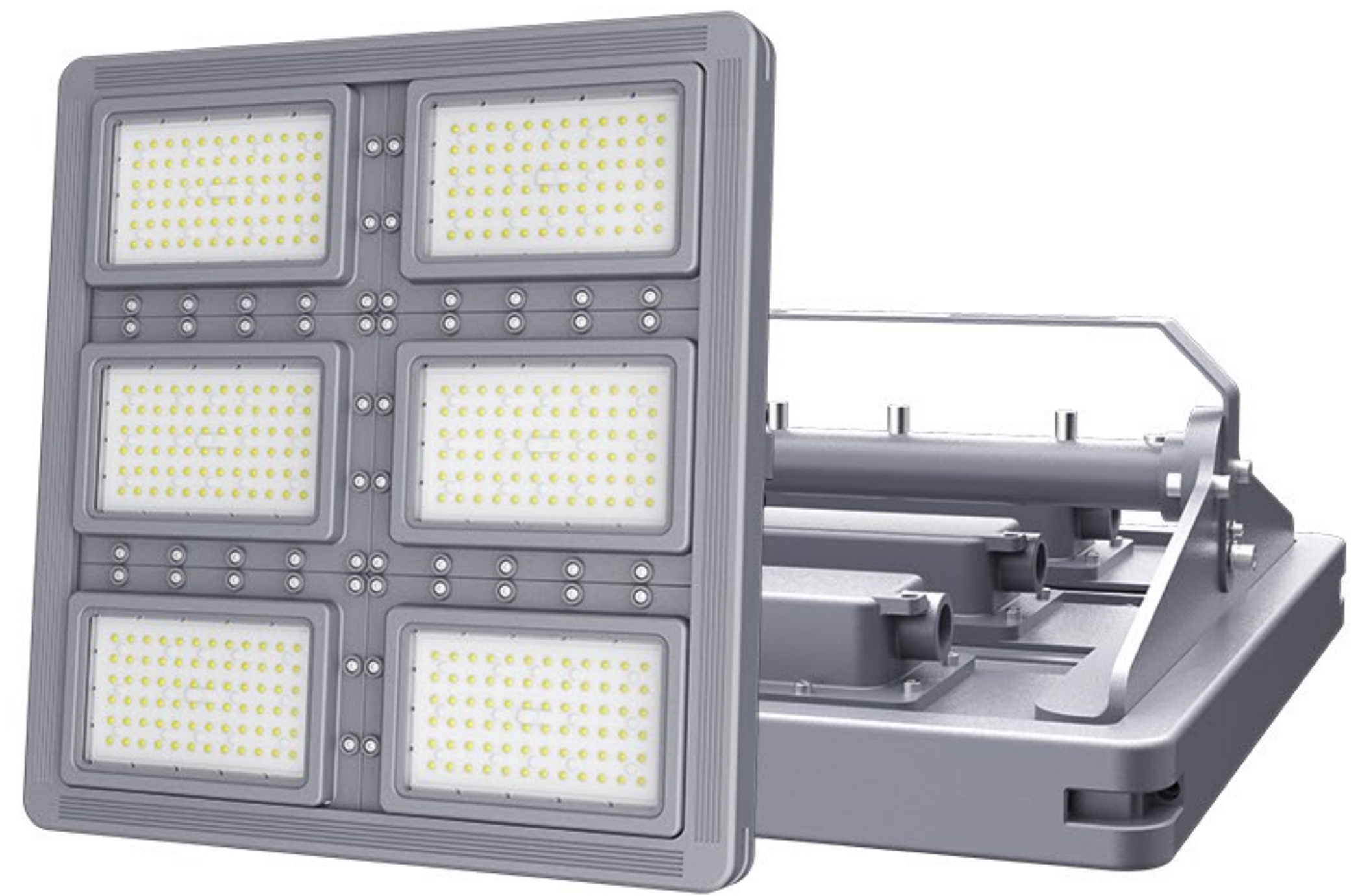
CES-EX-LN-02-40~60



CES-EX-LN-02-80~150



2 Fixtures

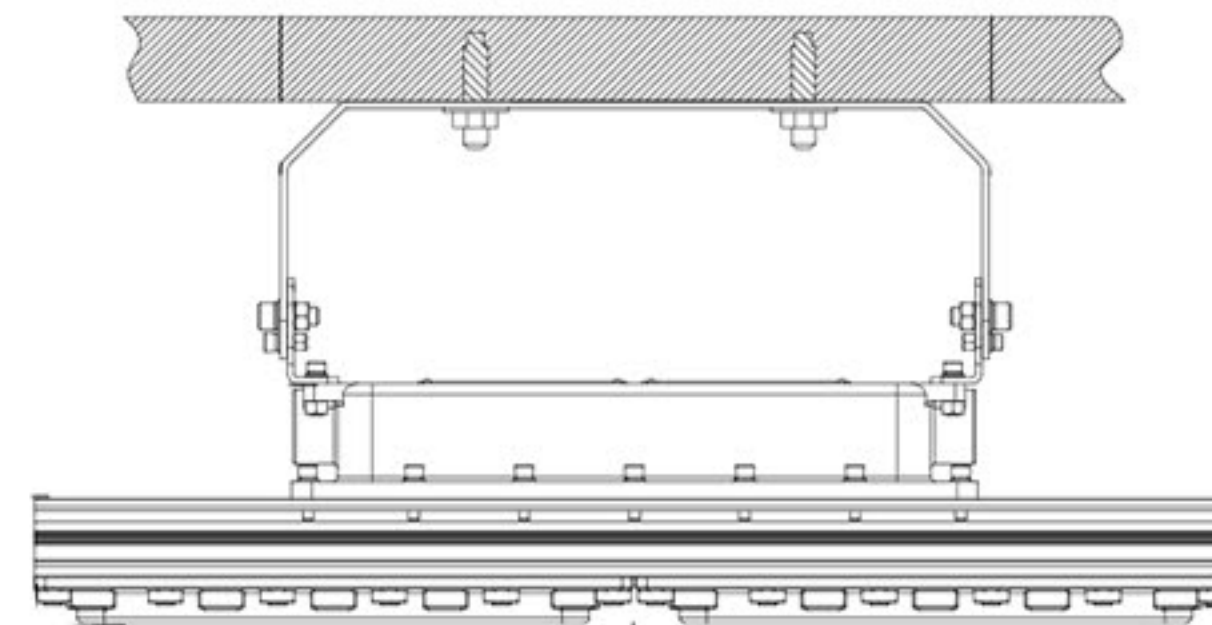
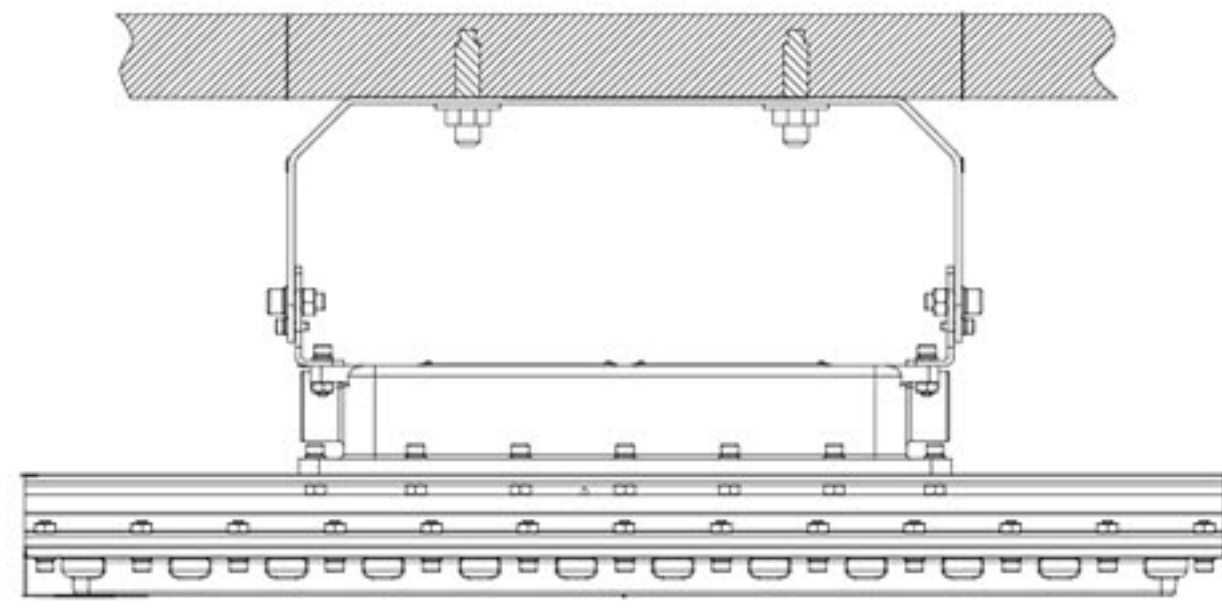


3 Fixtures

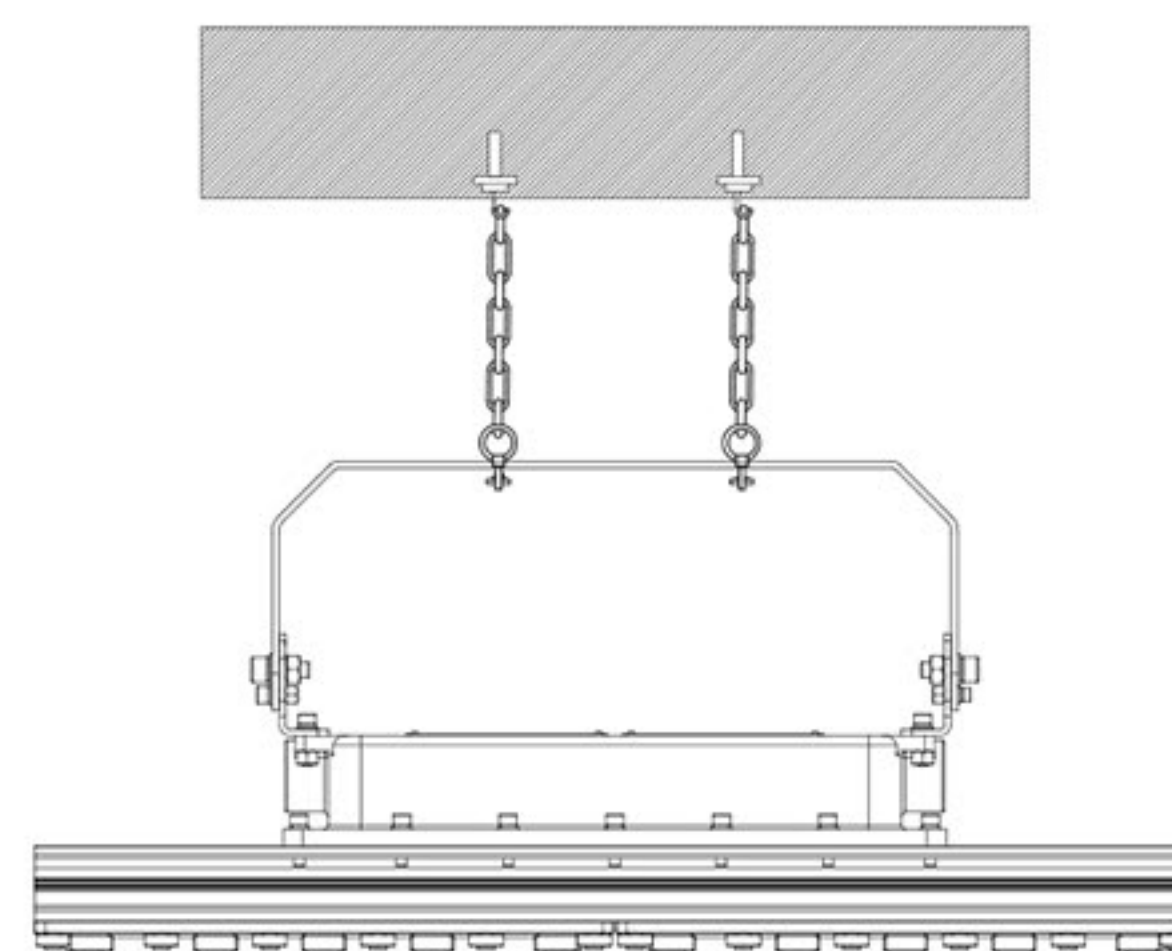
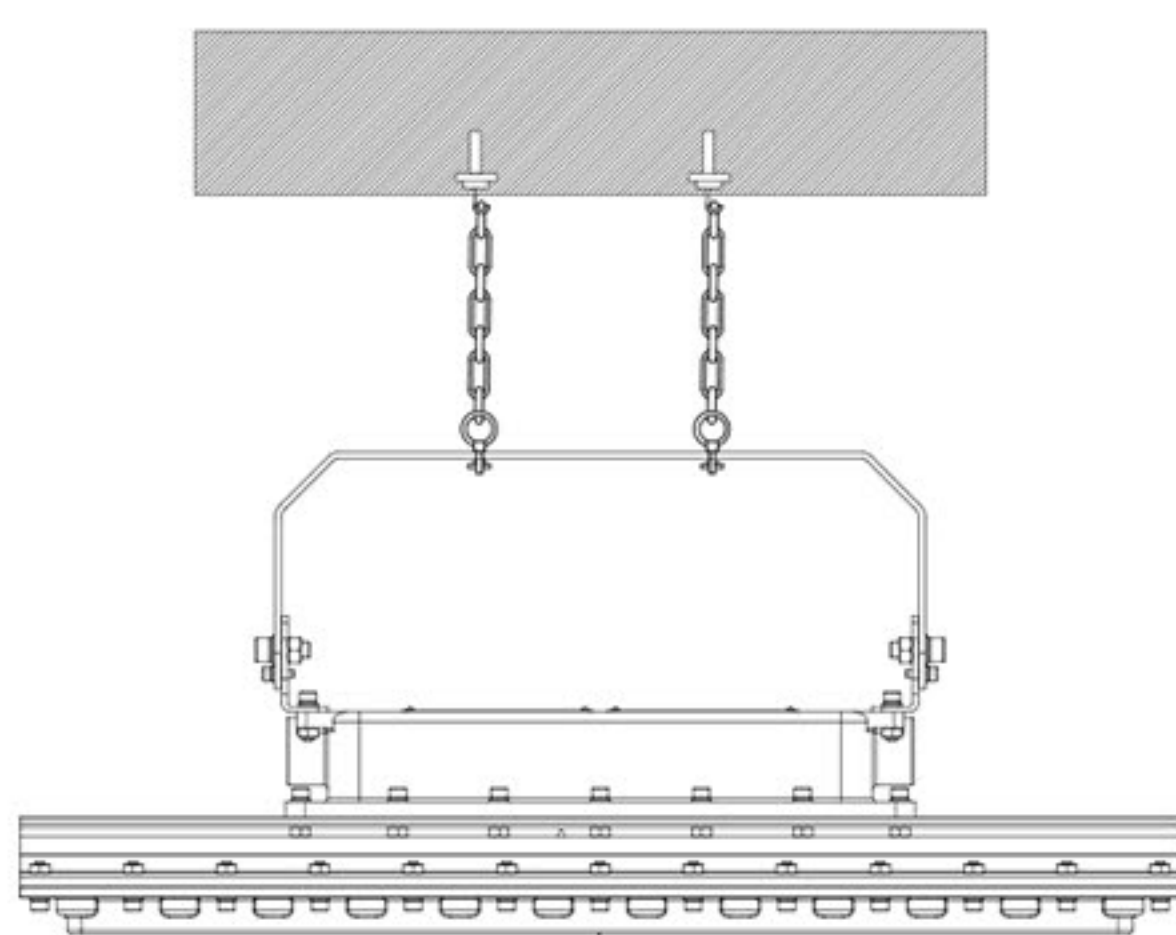


4 Fixtures

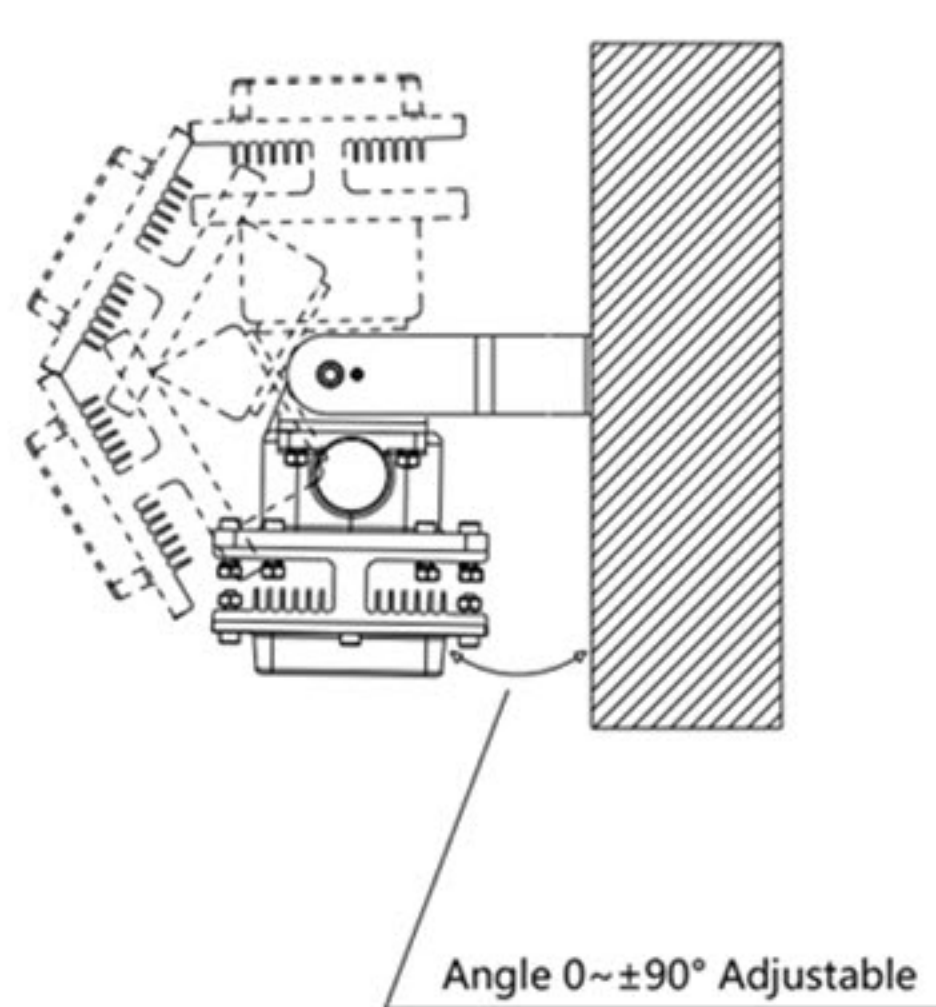
Installation method



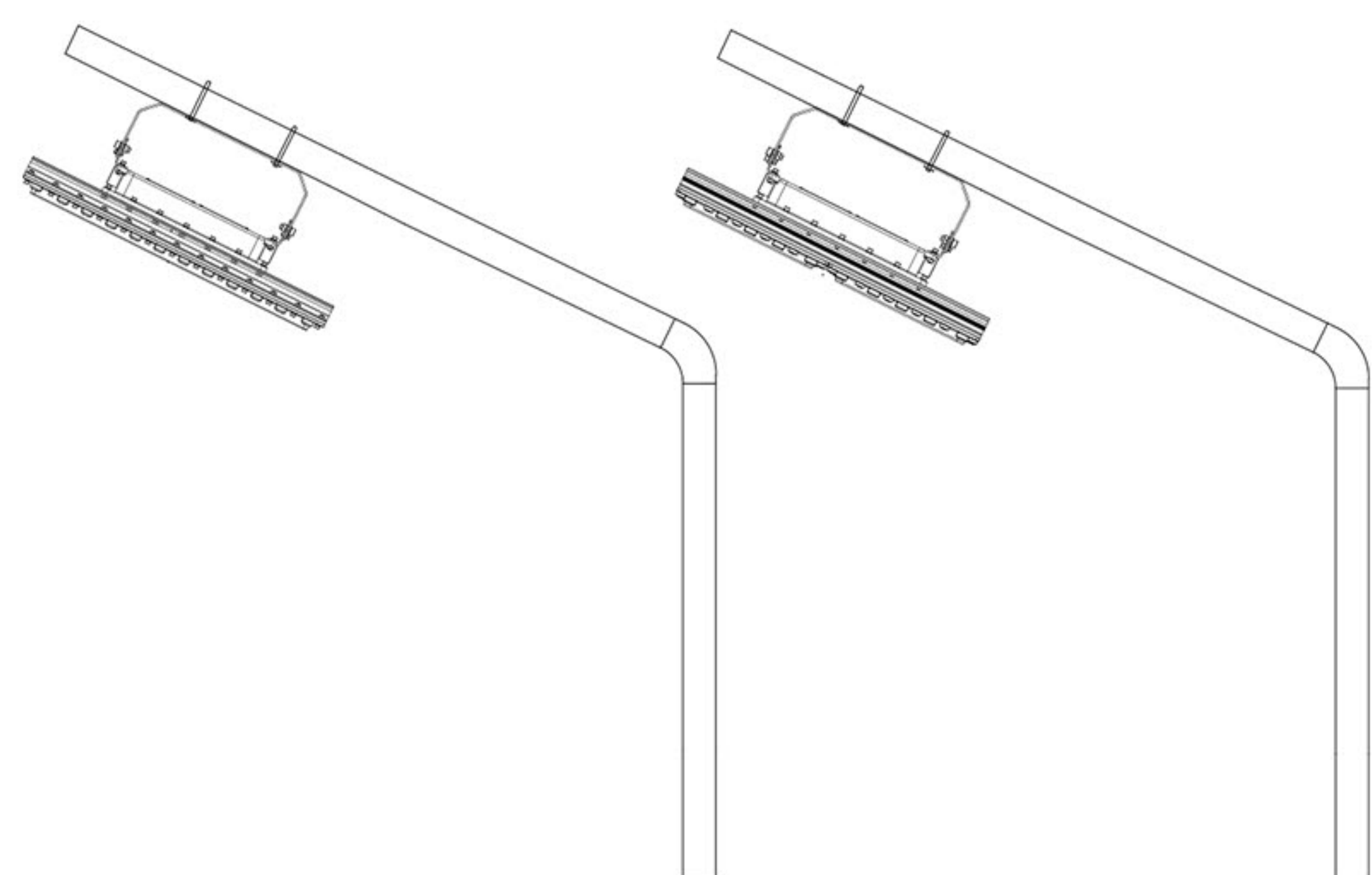
A. Ceiling mount



B. Drop mount



C. WM - Wall Mount



D. Pole Mounting