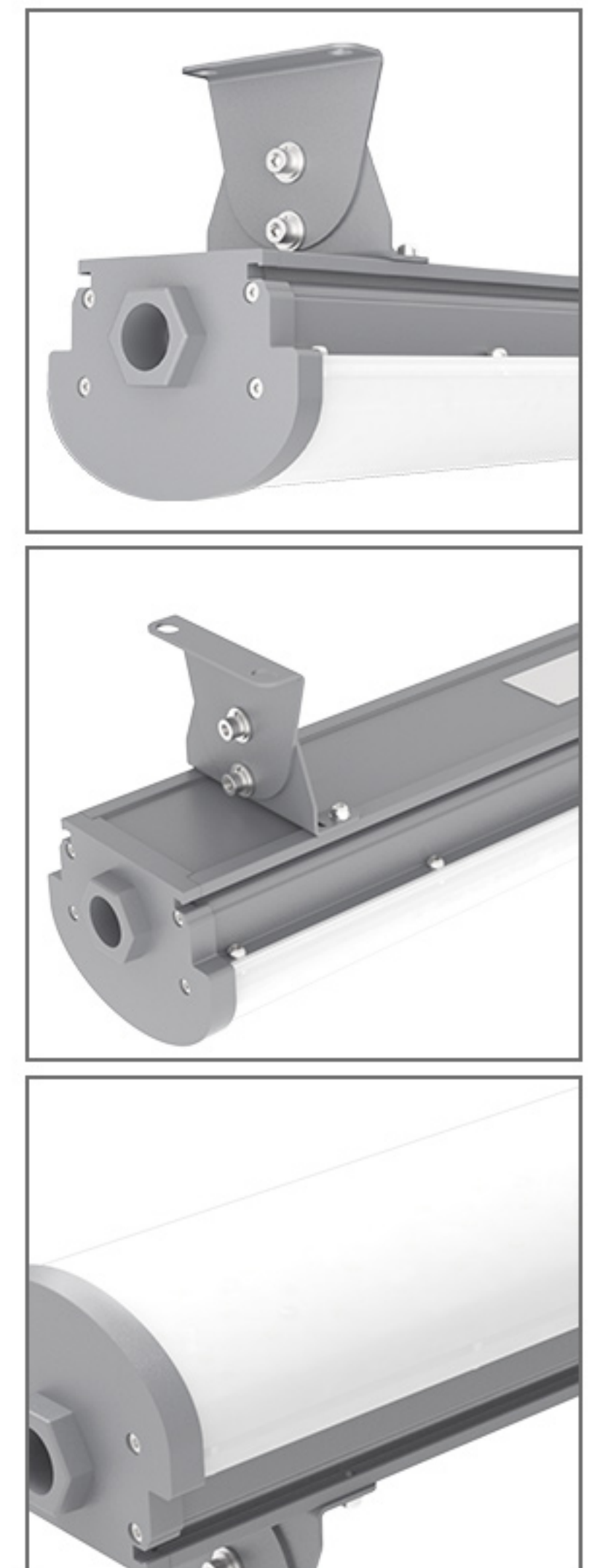




CES-EX-LN-02P SERIES EXPLOSION PROOF LED LINEAR LUMINAIRES

CESP hazardous locations



CES-EX-LN-02P SERIES EXPLOSION PROOF LED LINEAR LUMINAIRES

Product description

The CES-EX-LN-02P is a ATEX IECEx Zone 1 Zone 21 explosion-proof LED linear fixture that replaces the traditional explosion-proof fluorescent lamp and explosion-proof triple proof lamp. High lumen, low power consumption, energy saving. High strength aluminum alloy enclosure, resistant to shock and vibration. High transparent PC cover reduces direct visual contact with the light source. Can use for marine environment.

Features

- Patent designed for explosion-proof protection performance. Aluminum alloy body, maximize the best heat transmit.
- PC cover, excellent anti-corrosion performance Shock & vibration resistant, Anti-gare, >90% light transmit.
- Perfect to replace the traditional explosion-proof fluorescent light lamp shape.
- LED: LM80 certified, 120-140 lm/W, up to 14000 lumen flux.
- High Efficiency LED driver, more than 50000 hours lifespan.
- Circuit design: 4KV/6KV Surge Protection power supply.
- Protection: IP66, high protection grade for waterproof and dust-proof.

Certification

ATEX:

- II 2G Ex eb mb IIC T5 Gb;
- II 2D Ex tb IIIC T75 °C Db;
- IP66;

IECEx:

- Ex eb mb IIC T5 Gb;
- Ex tb IIIC T75°C Db;
- IP66;

Application

Wastewater treatment, oil and gas refineries, drilling rigs, petrochemical facilities, food and beverage facilities, tunnels, outdoor or indoor mounted general area lighting, and where flammable vapors, gases, ignitable dusts, fibers or flyings are present.

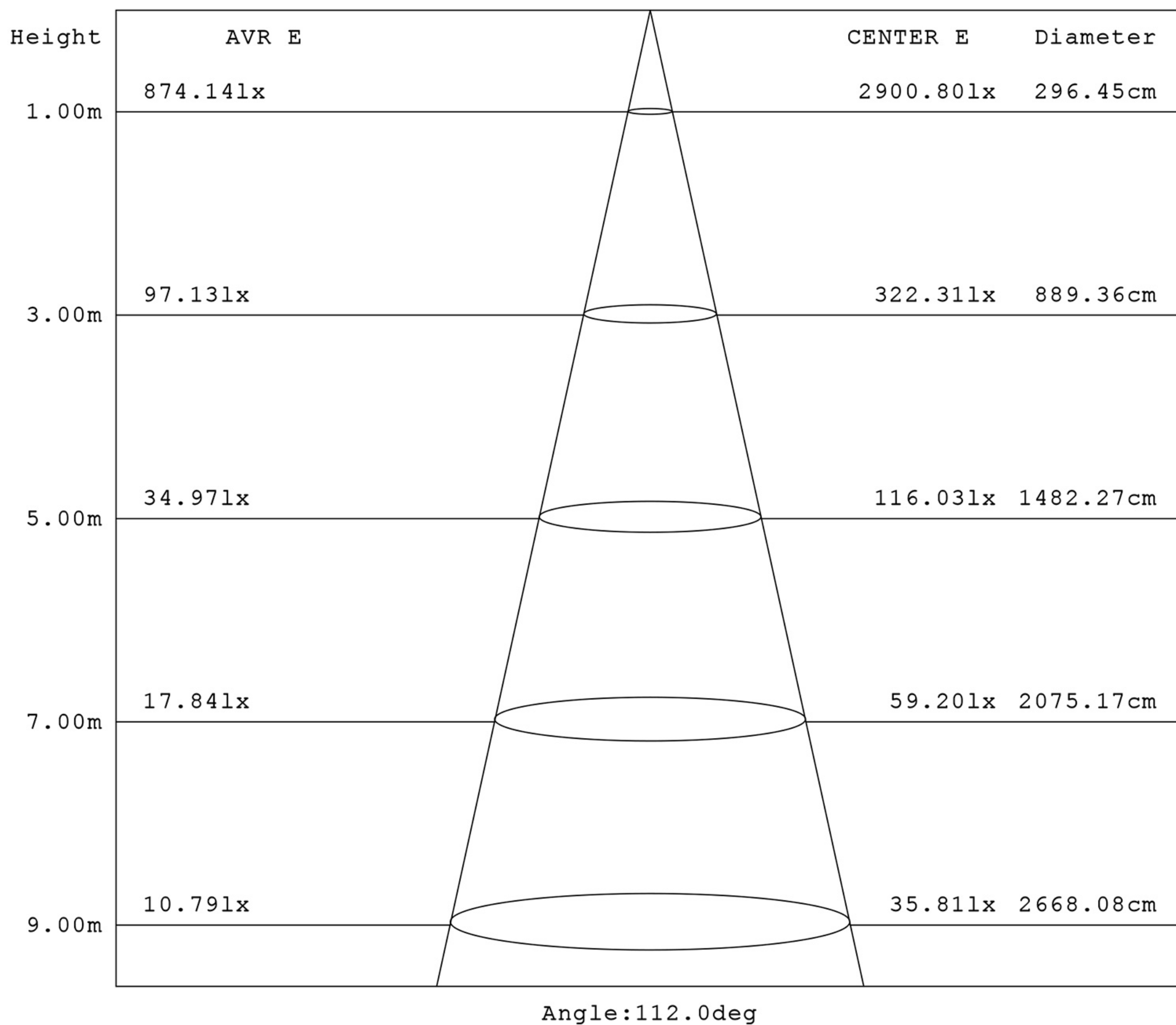
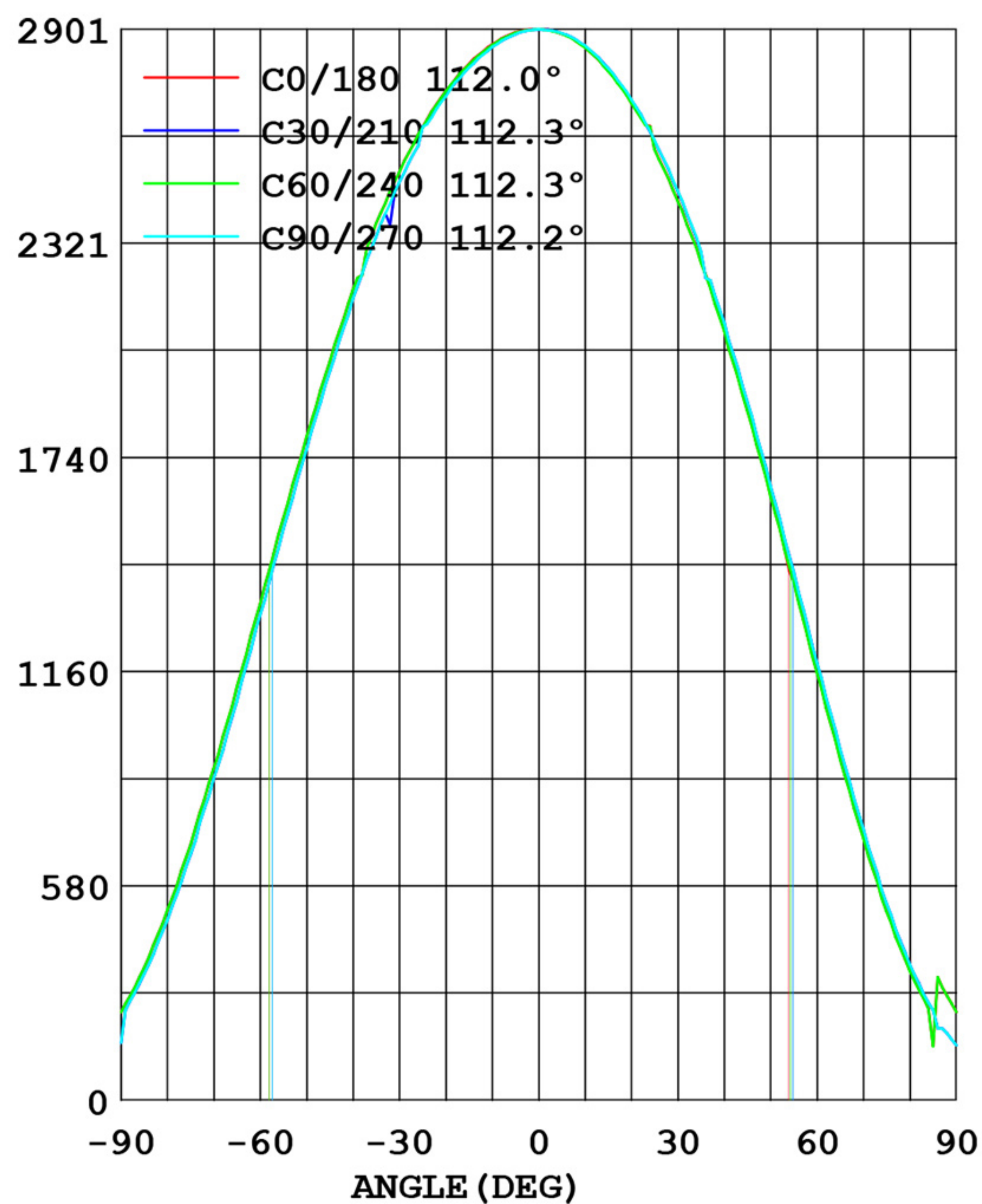
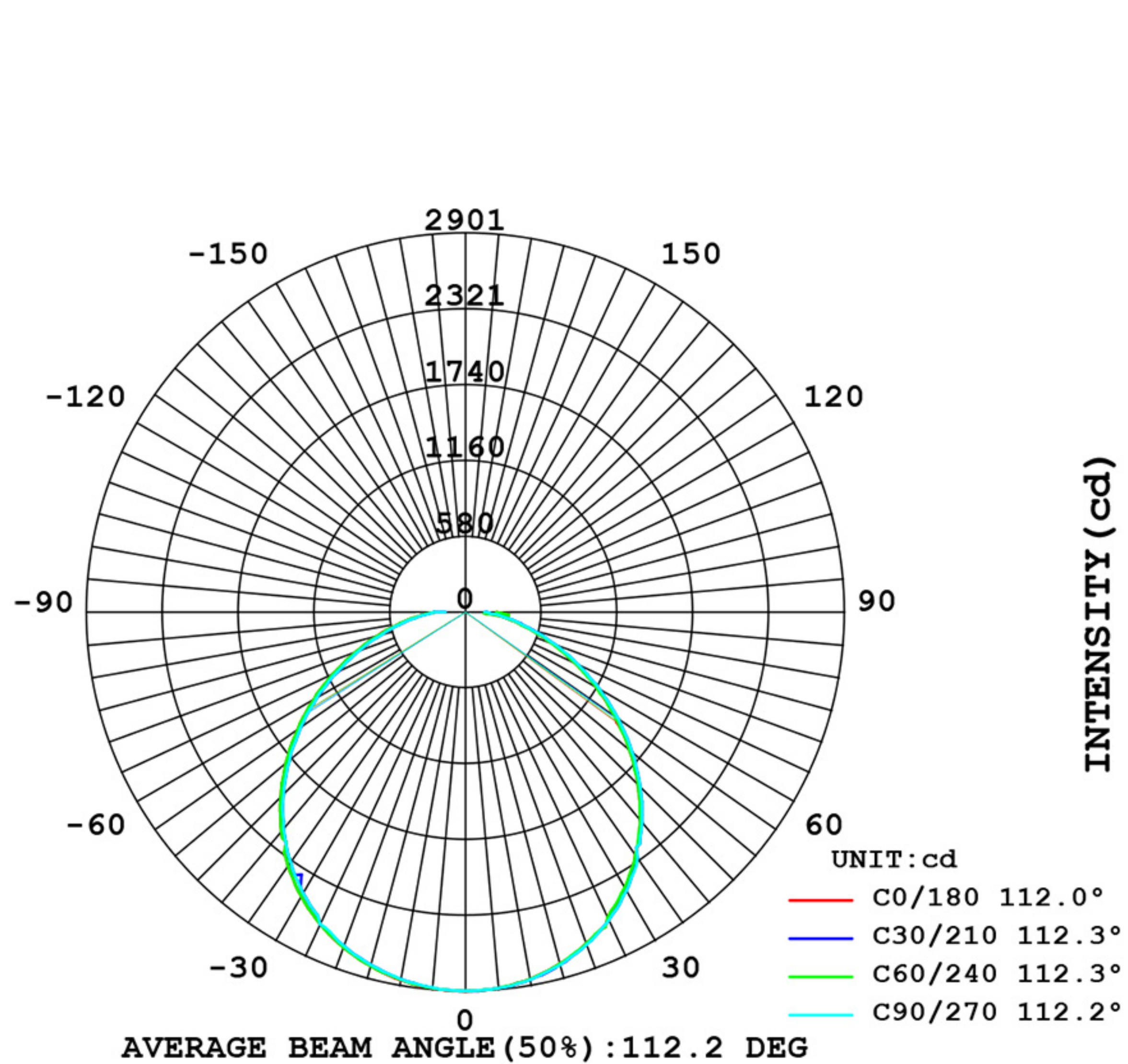
Warranty

5-Year Standard Warranty

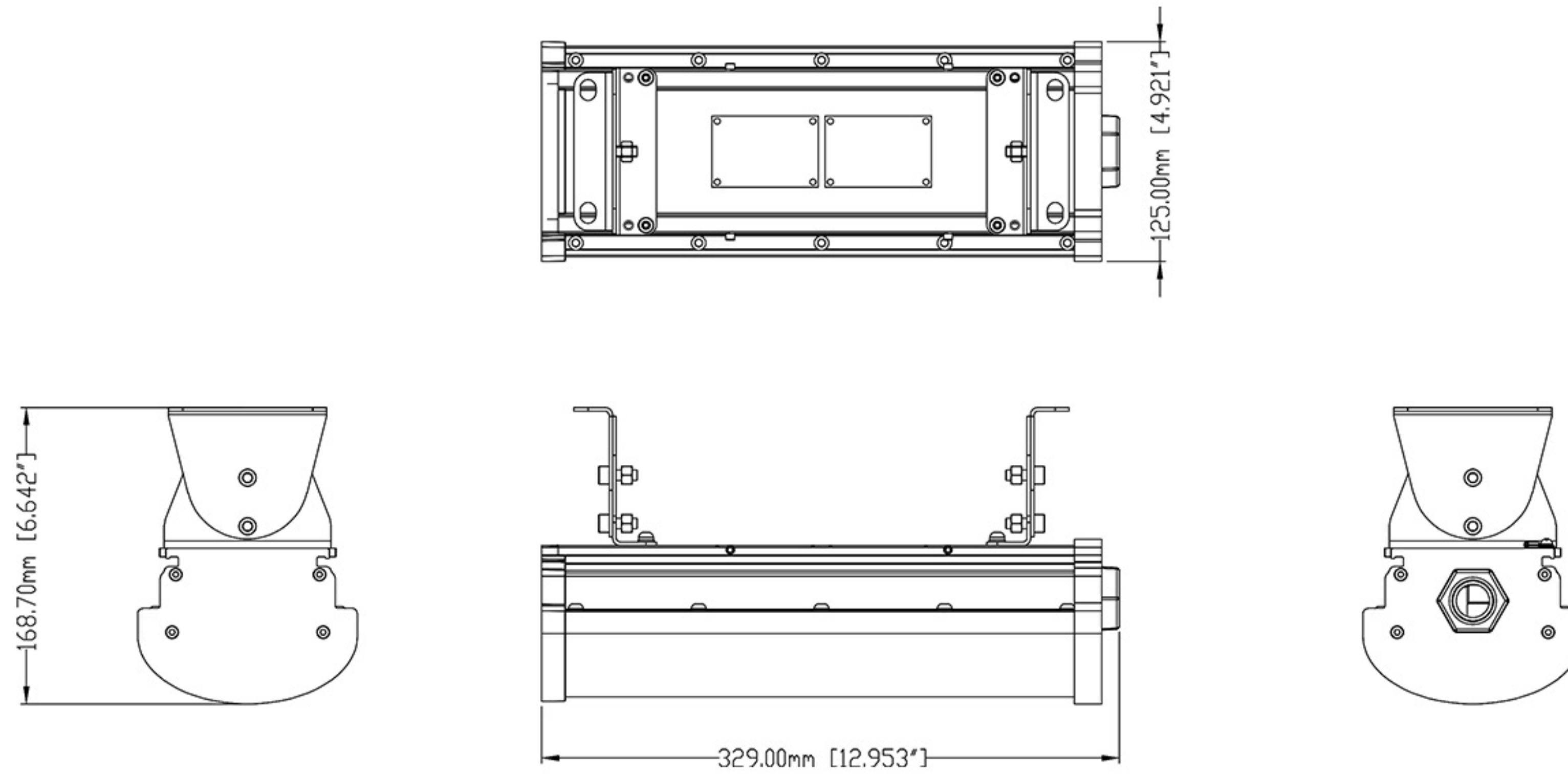


(Please see the specification of UL HazLoc version)

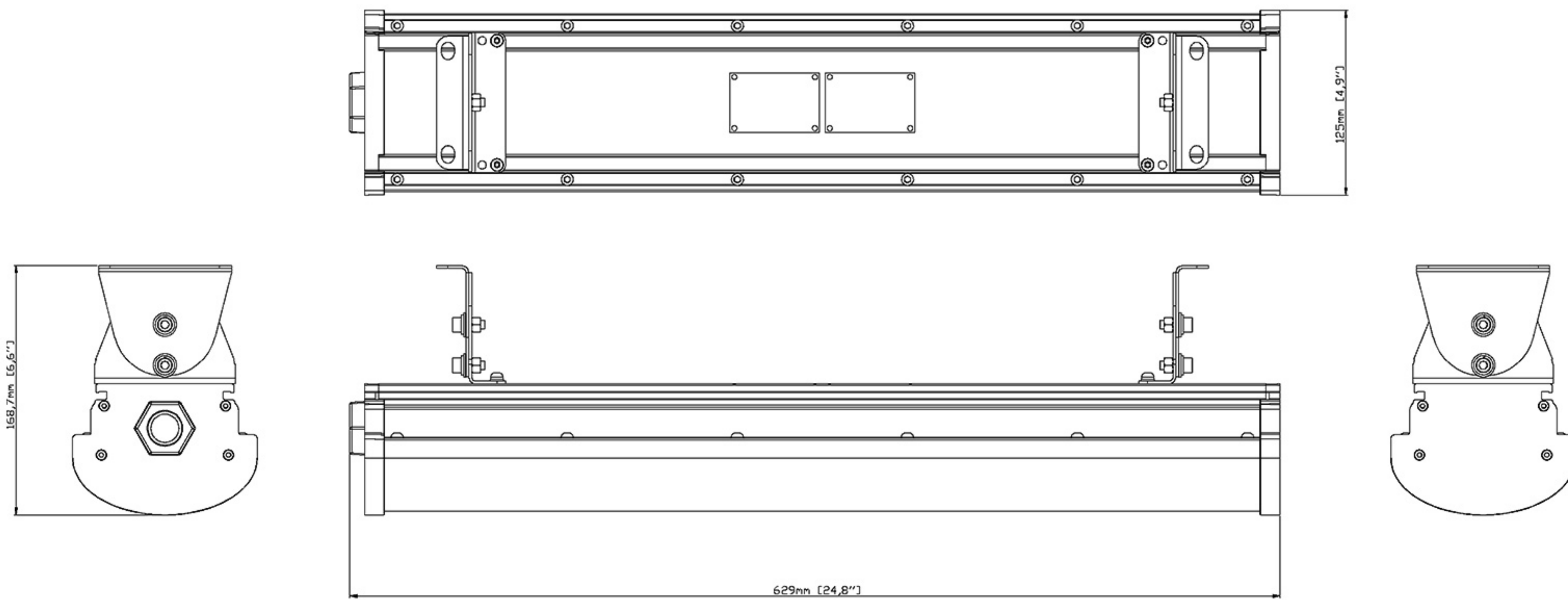
Lighting Distribution



Size and packaging



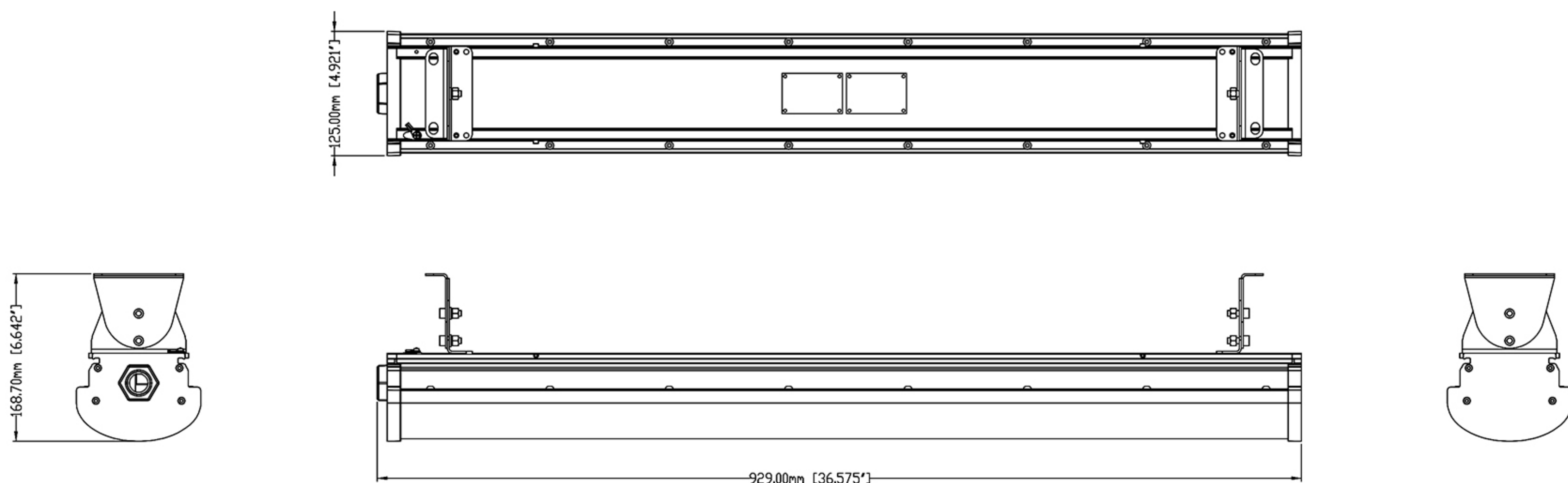
Product Model	Product Size	Carton Size	QTY/CTN	Net Weight	Gross Weight
CES-EX-LN-02P-20A	329×125×168.7 mm / 13×4.9×3.6"	480×185×145 mm / 18.9×7.3×5.7"	1	—	—
CES-EX-LN-02P-30A	329×125×168.7 mm / 13×4.9×3.6"	480×185×145 mm / 18.9×7.3×5.7"	1	—	—



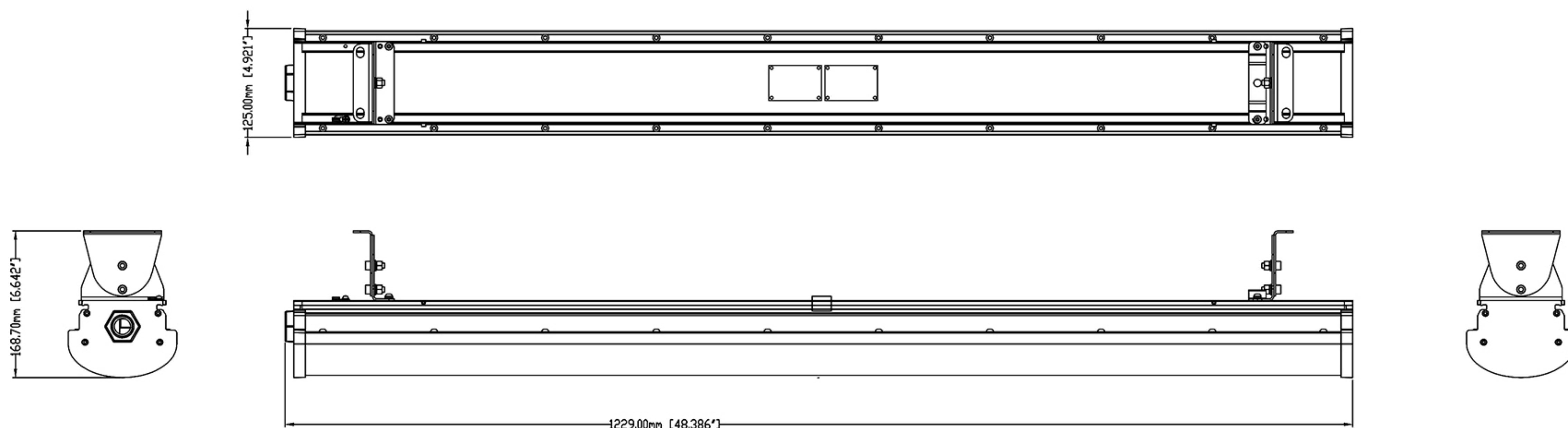
Product Model	Product Size	Carton Size	QTY/CTN	Net Weight	Gross Weight
CES-EX-LN-02P-20B	629×125×168.7 mm / 24.8×4.9×6.6"	780×185×145mm / 30.7×7.3×5.7"	1	4.6 KG / 10.14 lbs	5.1 KG / 11.2 lbs
CES-EX-LN-02P-30B	629×125×168.7 mm / 24.8×4.9×6.6"	780×185×145mm / 30.7×7.3×5.7"	1	4.6 KG / 10.14 lbs	5.1 KG / 11.2 lbs
CES-EX-LN-02P-40B	629×125×168.7 mm / 24.8×4.9×6.6"	780×185×145mm / 30.7×7.3×5.7"	1	4.6 KG / 10.14 lbs	5.1 KG / 11.2 lbs
CES-EX-LN-02P-50B	629×125×168.7 mm / 24.8×4.9×6.6"	780×185×145mm / 30.7×7.3×5.7"	1	4.6 KG / 10.14 lbs	5.1 KG / 11.2 lbs

CES-EX-LN-02P Series

Explosion Proof LED Linear Luminaires



Product Model	Product Size	Carton Size	QTY/CTN	Net Weight	Gross Weight
CES-EX-LN-02P-40C	929×125×168.7 mm / 36.6×4.9×6.6"	1080×185×145 mm / 42.5×7.3×5.7"	1	—	—
CES-EX-LN-02P-50C	929×125×168.7 mm / 36.6×4.9×6.6"	1080×185×145 mm / 42.5×7.3×5.7"	1	—	—
CES-EX-LN-02P-60C	929×125×168.7 mm / 36.6×4.9×6.6"	1080×185×145 mm / 42.5×7.3×5.7"	1	—	—
CES-EX-LN-02P-70C	929×125×168.7 mm / 36.6×4.9×6.6"	1080×185×145 mm / 42.5×7.3×5.7"	1	—	—



Product Model	Product Size	Carton Size	QTY/CTN	Net Weight	Gross Weight
CES-EX-LN-02P-40D	1229×125×168.7 mm / 48.4×4.9×6.6"	1380×185×145 mm/54.3×7.3×5.7"	1	7.7 KG / 17 lb	8.5 KG / 18.7 lb
CES-EX-LN-02P-50D	1229×125×168.7 mm / 48.4×4.9×6.6"	1380×185×145 mm/54.3×7.3×5.7"	1	7.7 KG / 17 lb	8.5 KG / 18.7 lb
CES-EX-LN-02P-60D	1229×125×168.7 mm / 48.4×4.9×6.6"	1380×185×145 mm/54.3×7.3×5.7"	1	7.7 KG / 17 lb	8.5 KG / 18.7 lb
CES-EX-LN-02P-70D	1229×125×168.7 mm / 48.4×4.9×6.6"	1380×185×145 mm/54.3×7.3×5.7"	1	7.7 KG / 17 lb	8.5 KG / 18.7 lb
CES-EX-LN-02P-80D	1229×125×168.7 mm / 48.4×4.9×6.6"	1380×185×145 mm/54.3×7.3×5.7"	1	7.7 KG / 17 lb	8.5 KG / 18.7 lb
CES-EX-LN-02P-100D	1229×125×168.7 mm / 48.4×4.9×6.6"	1380×185×145 mm/54.3×7.3×5.7"	1	7.7 KG / 17 lb	8.5 KG / 18.7 lb

Technical parameter

ProductModel	CES-EX-LN-02P-(30A~20A)	CES-EX-LN-02P-(50B~20B)
Type	LED Explosion proof Linear Light	LED Explosion proof Linear Light
luminous efficiency	120-140lm/W	120-140lm/W
Power (W)	30W / 20W	50W / 40W / 30W / 20W
Voltage - Frequency	100-277Vac 50-60Hz	100-277Vac 50-60Hz
Color Temp	Provides 3000K to 6500K	Provides 3000K to 6500K
CRI (Ra) (typ.)	≥70	≥70
Power Supply	High Efficiency LED driver, more than 50000 hours lifespan	High Efficiency LED driver, more than 50000 hours lifespan
Beam Angle	120°	120°
Power Factor	>0.95	>0.95
Rated Lifetime - L70 (hrs.)	50,000	50,000
THD	< 10%	< 10%
Operating temperature	-40 °C to +50 °C	-40 °C to +50 °C
Entry Size	3/4"-14 NPT or M25 X1.5 or M26 X1.5	3/4"-14 NPT or M25 X1.5 or M26 X1.5
Cable	Three-core rubber cable, IEC (CE) certification, with 0.5m cable (Standard)	Three-core rubber cable, IEC (CE) certification, with 0.5m cable (Standard)

***Emergency optional:** Emergency power: 12W Emergency time: ≥90min Battery: Li-ion battery- 11.1V/2500mAH

ProductModel	CES-EX-LN-02P-(70C~40C)	CES-EX-LN-02P-(100D~40D)
Type	LED Explosion proof Linear Light	LED Explosion proof Linear Light
luminous efficiency	120-140lm/W	120-140lm/W
Power (W)	70W / 60W / 50W / 40W	100W / 80W / 70W / 60W / 50W / 40W
Voltage - Frequency	100-277Vac 50-60Hz	100-277Vac 50-60Hz
Color Temp	Provides 3000K to 6500K	Provides 3000K to 6500K
CRI (Ra) (typ.)	≥70	≥70
Power Supply	High Efficiency LED driver, more than 50000 hours lifespan	High Efficiency LED driver, more than 50000 hours lifespan
Beam Angle	120°	120°
Power Factor	>0.95	>0.95
Rated Lifetime - L70 (hrs.)	50,000	50,000
THD	< 10%	< 10%
Operating temperature	-40 °C to +50 °C	-40 °C to +50 °C
Entry Size	3/4"-14 NPT or M25 X1.5 or M26 X1.5	3/4"-14 NPT or M25 X1.5 or M26 X1.5
Cable	Three-core rubber cable, IEC (CE) certification, with 0.5m cable (Standard)	Three-core rubber cable, IEC (CE) certification, with 0.5m cable (Standard)

***Emergency optional:** Emergency power: 12W Emergency time: ≥90min Battery: Li-ion battery- 11.1V/2500mAH

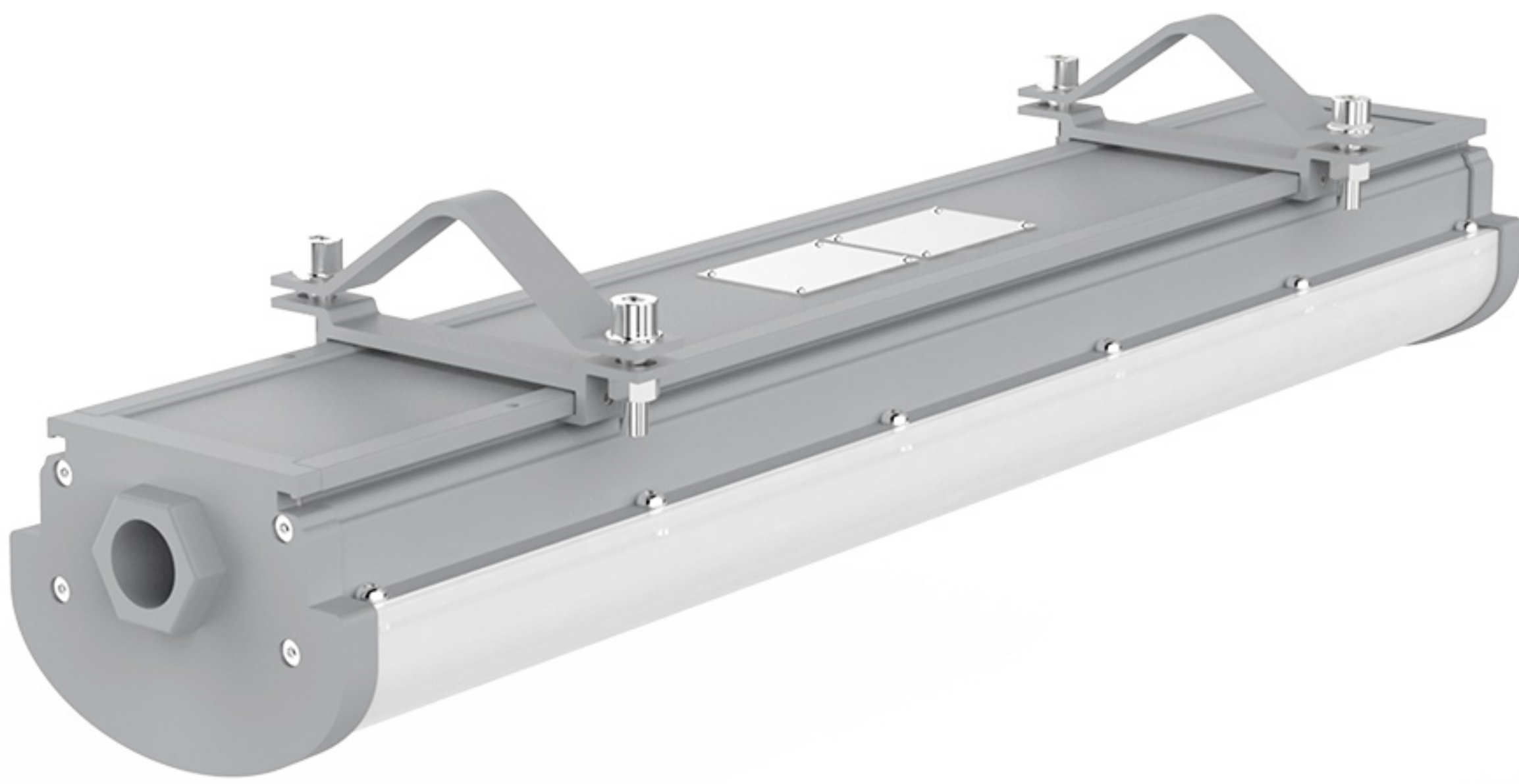
Product display



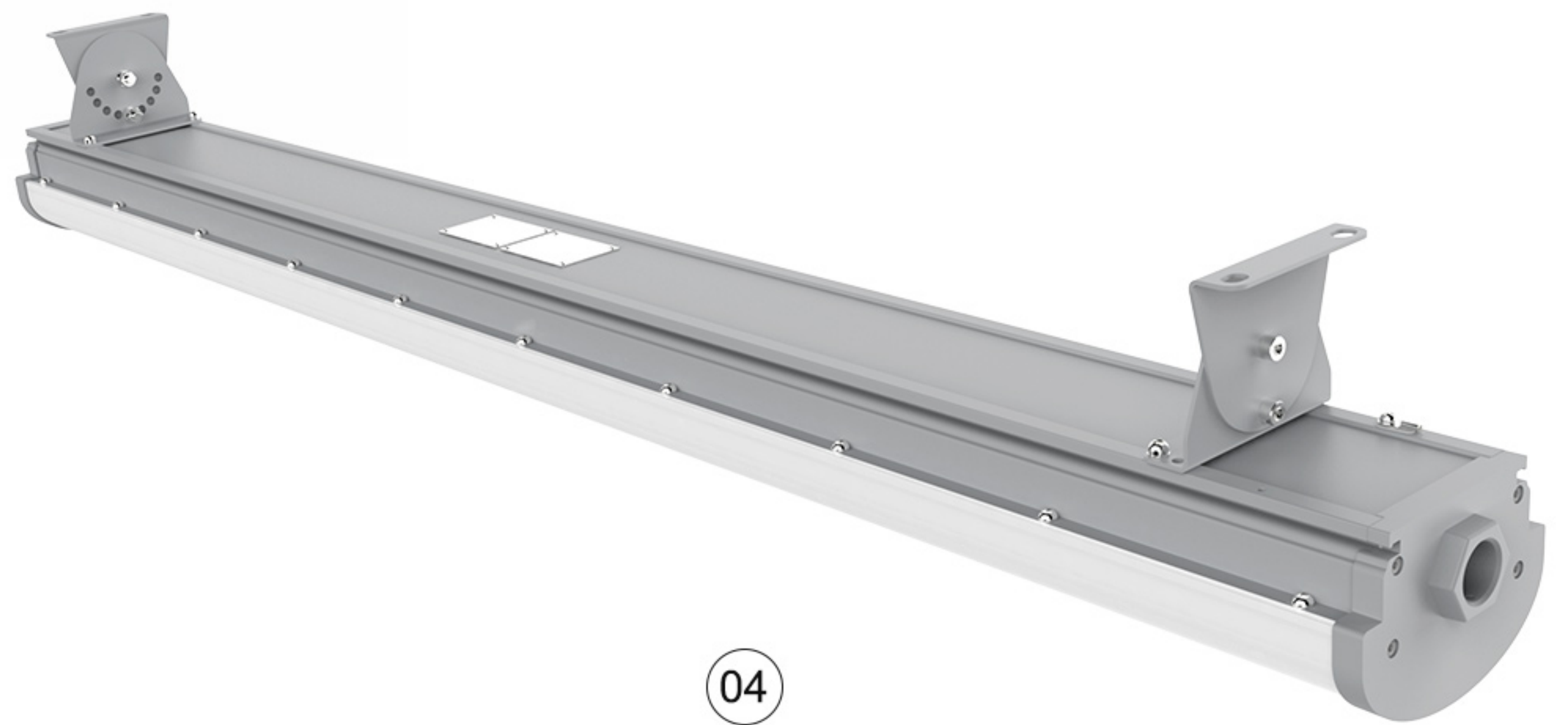
01



02



03

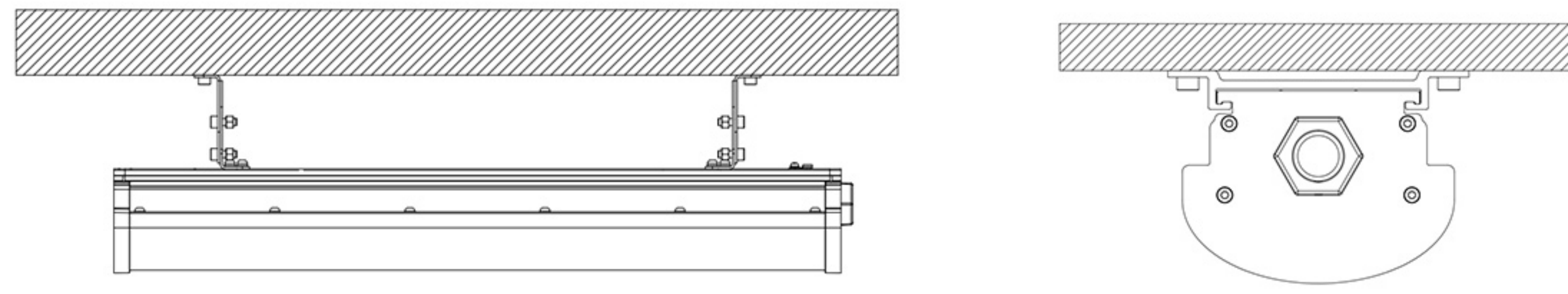


04

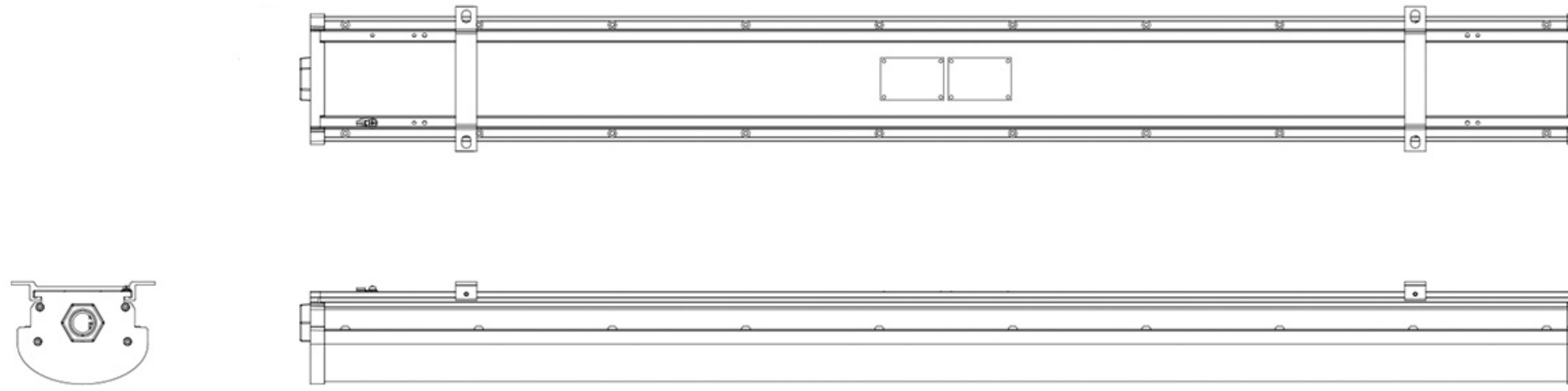


05

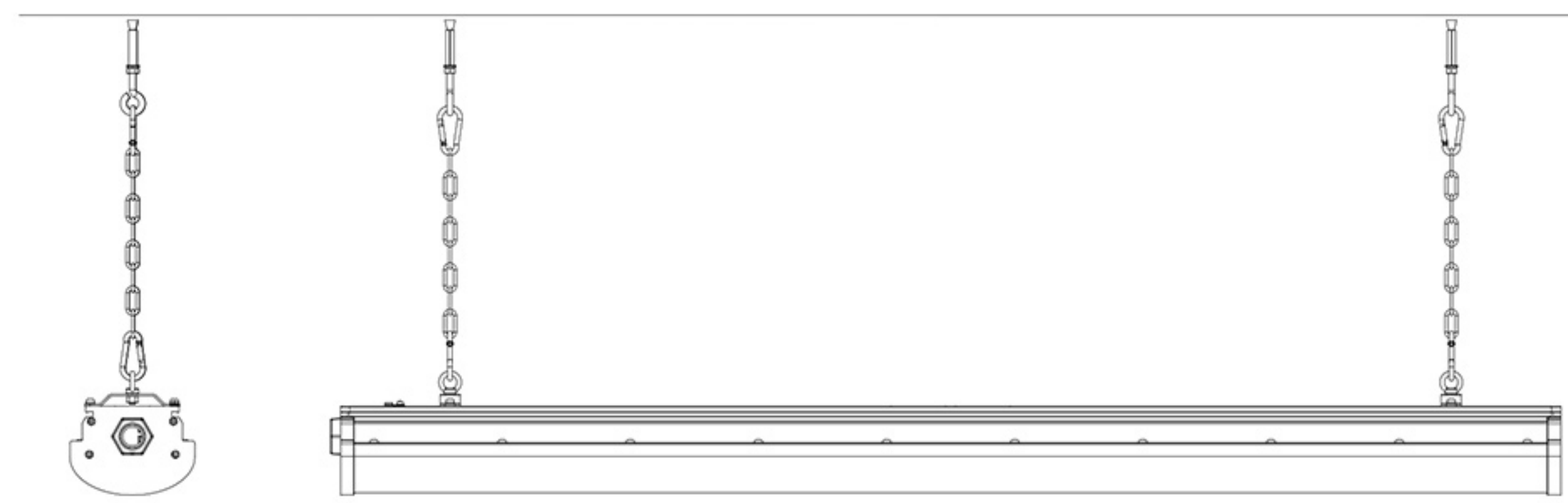
Installation method



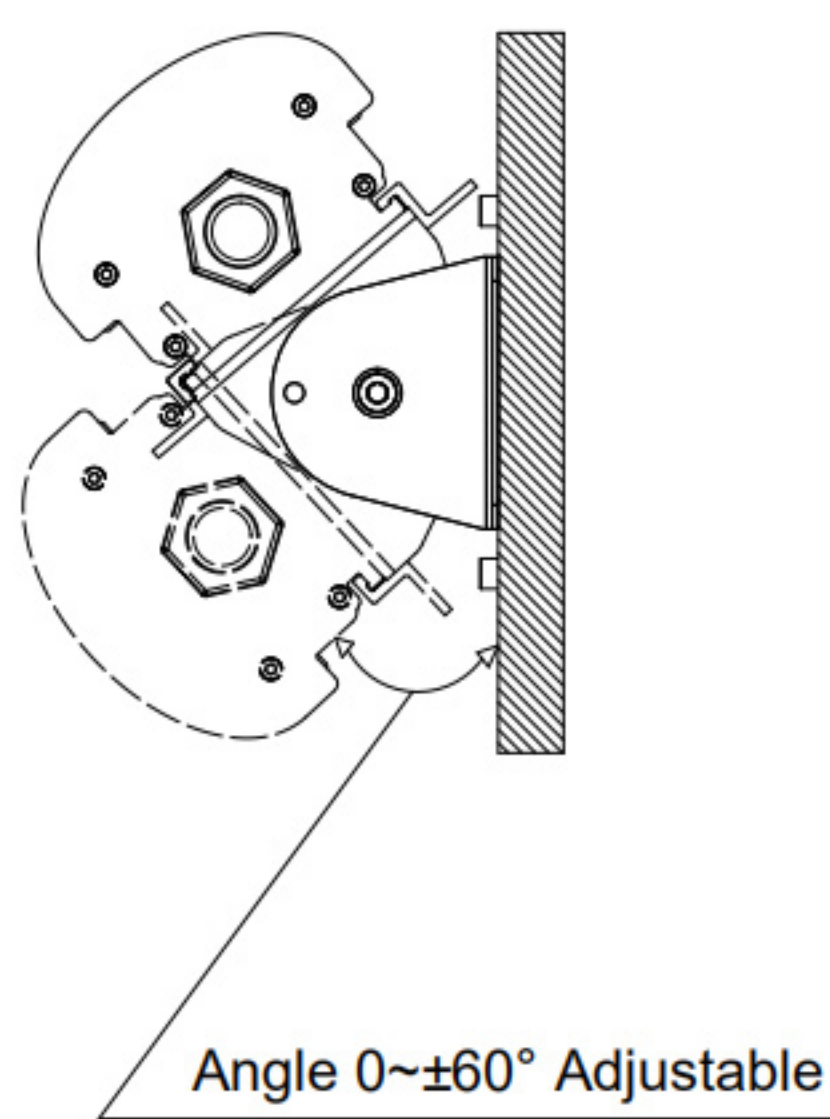
A.Ceiling mounting



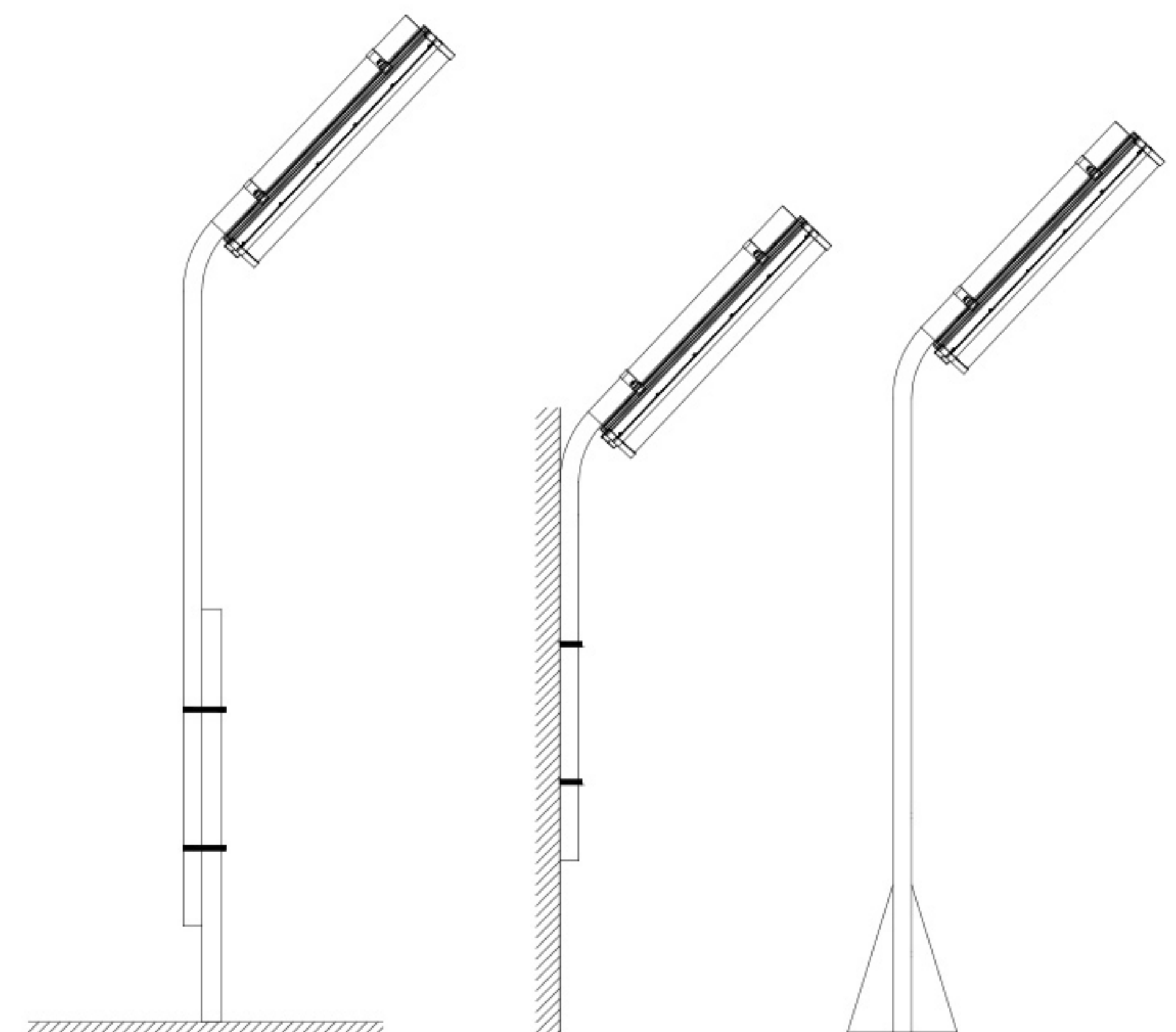
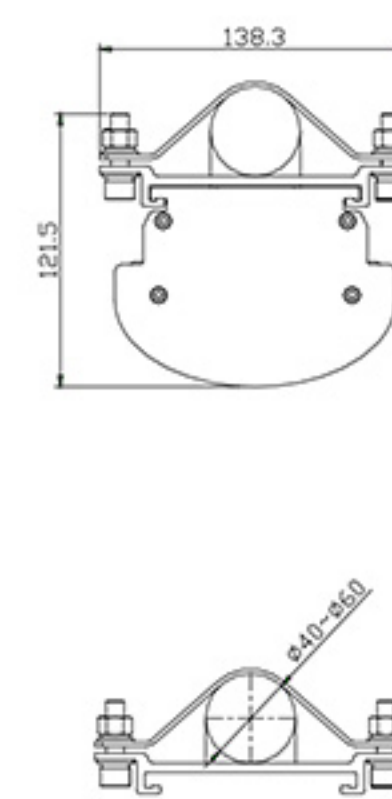
B.Pendant mounting



C.Pendant chain mounting



D.Wall mounting



E.Pole Mounting