



CES-EX-GB SERIES  
**EXPLOSION PROOF  
LED HIGH BAY LIGHT**

CESP hazardous locations

# CES-EX-GB SERIES EXPLOSION PROOF LED HIGH BAY LIGHT



## Product description

Although it is a high-power explosion-proof high bay lighting, the flameproof enclosure design (Wiring chamber, power supply chamber, and light source chamber are independent.) can prevent the electric spark generated in the lamp from being transmitted to the outside. And its rating is IP66, it can withstand 7J shock and vibration, and its explosion-proof performance is more reliable than HPS explosion-proof lamps, metal halide lamps, halogen lamps, etc, and can be used in hazardous areas Zone 1&21, Zone 2&22. It is suitable for salt water and corrosive environments if you need.

## Features

- Patent designed to be Curved Fin Shape, maximize the best heat transmit.
- Housing - Aluminum alloy (ADC12), 1800ton high pressure die casting into lamp shape.
- Lens -tempered glass (10mm). Shock & vibration resistant, Super clear, >90% light transmit.
- LED: LM80 certified, high efficacy, low decay, long lifespan. 130lm/W ±5, up to 26000lm.
- Meanwell LED Driver, >90% driver efficacy.
- Circuit design: 4KV/6KV Surge Protection power supply.

## Application

- Wastewater treatment, oil and gas refineries, drilling rigs, petrochemical facilities, food and beverage facilities, tunnels, outdoor or indoor mounted general area lighting, and where flammable vapors, gases, ignitable dusts, fibers or flyings are present.
- Applies to hazardous locations of Zone 1 and Zone 2 with explosive gas atmosphere.

## Warranty

5-Year Standard Warranty

## Certification

### ATEX:

- Ex II 2G Ex db op is IIC T4...T5...T6 Gb;
- Ex II 2D Ex tb op is IIC T103°C...T98°C...T93°C Db;
- IP66;
- Certificate No: SEV 19 ATEX 0334 X

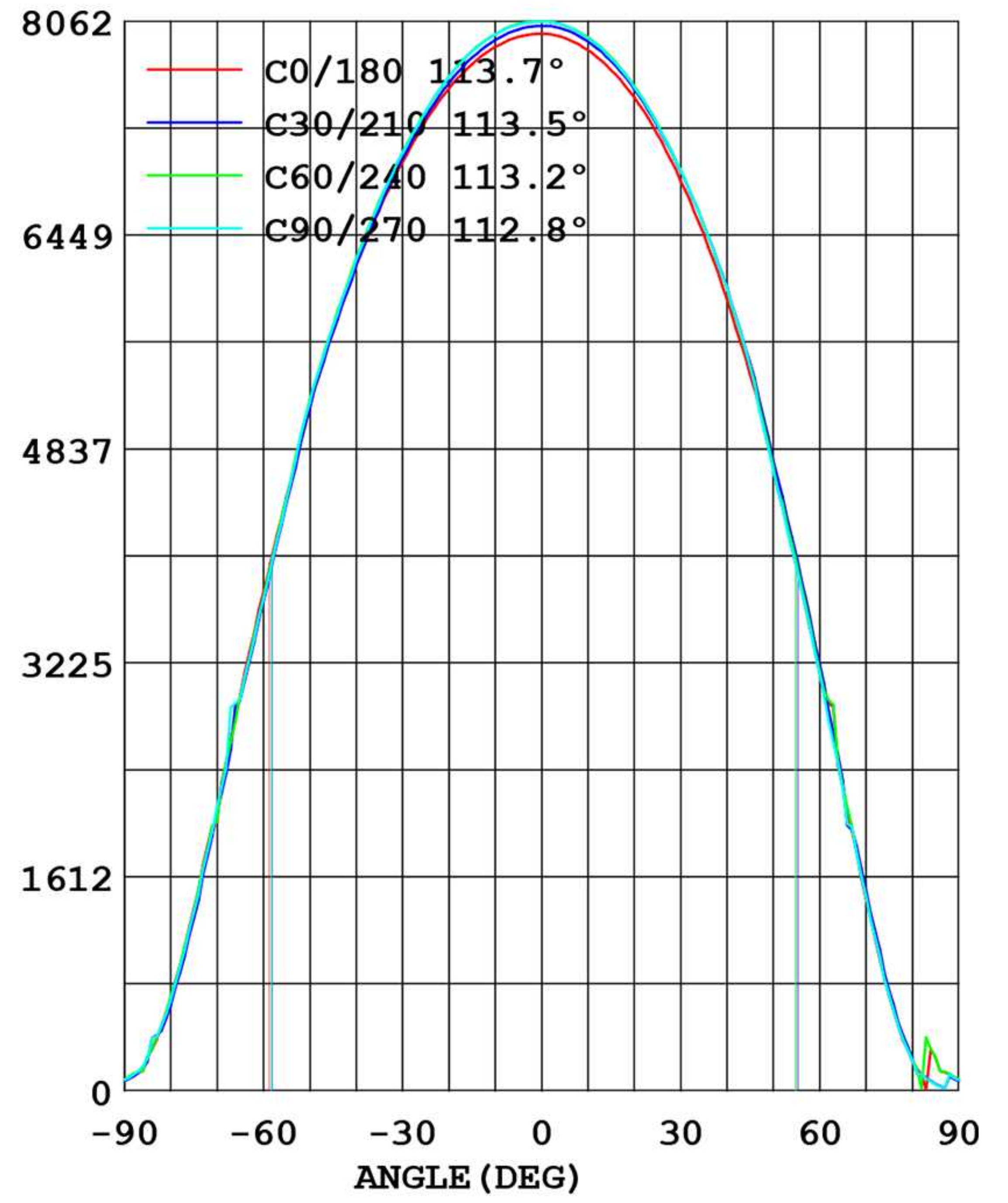
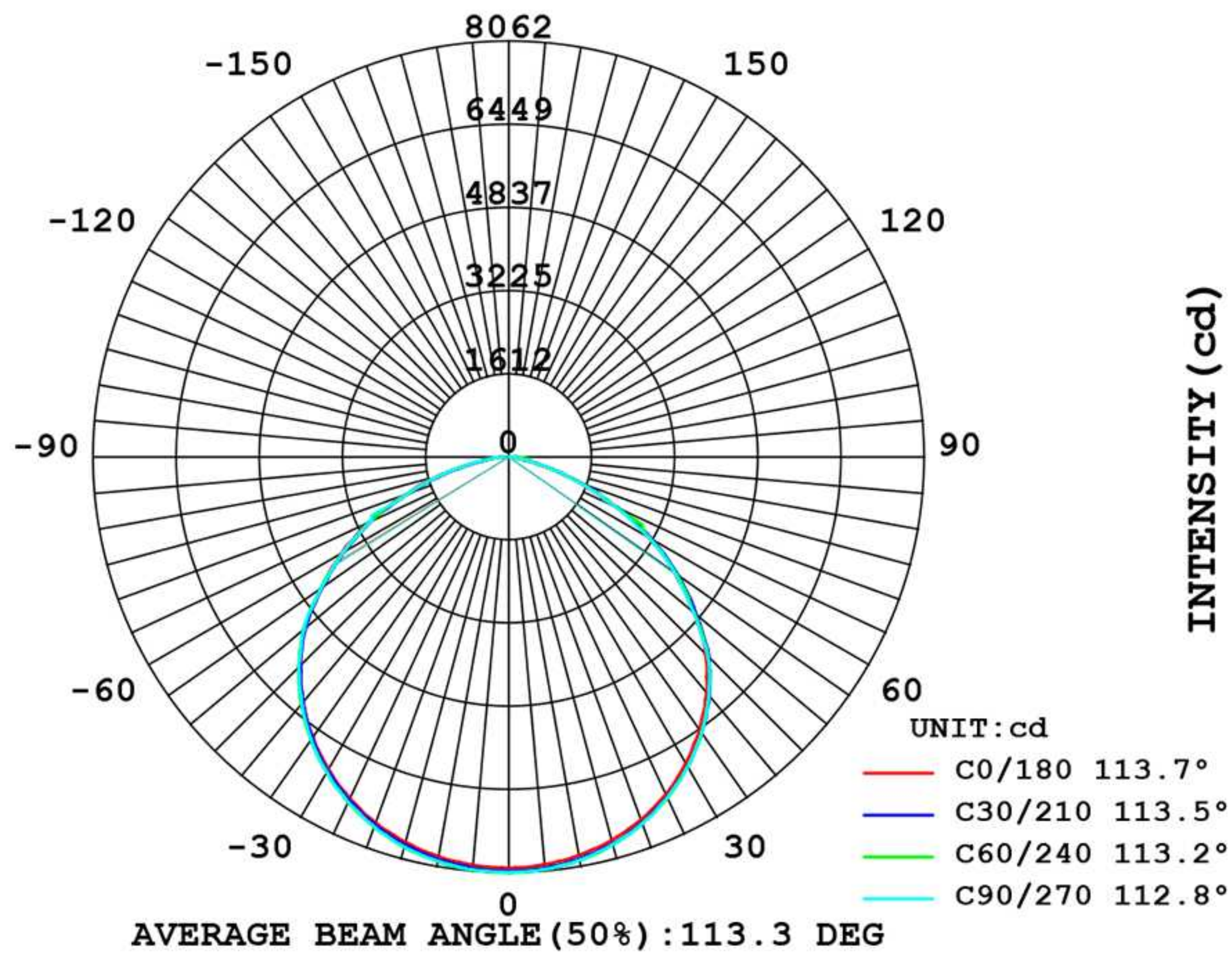
### IECEX:

- Ex db op is IIC T4...T5...T6 Gb;
- Ex tb op is IIC T103°C...T98°C ...T93°C Db;
- IP66;
- Certificate No: IECEX SEV 19.0040X



(Please see the specification of UL HazLoc version)

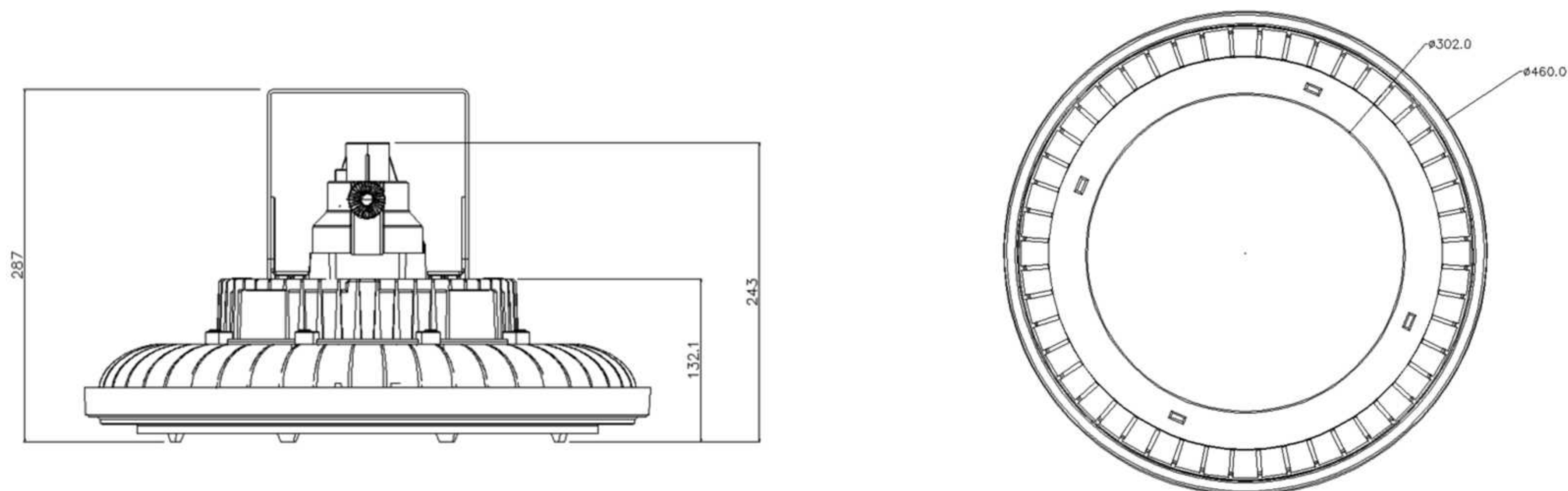
# Lighting Distribution



Height	AVR E	CENTER E	Diameter
1.00m	2421.18lx	7966.73lx	301.13cm
3.00m	269.02lx	885.19lx	903.40cm
5.00m	96.85lx	318.67lx	1505.67cm
7.00m	49.41lx	162.59lx	2107.94cm
9.00m	29.89lx	98.35lx	2710.21cm

Angle: 112.8deg

Size and packaging

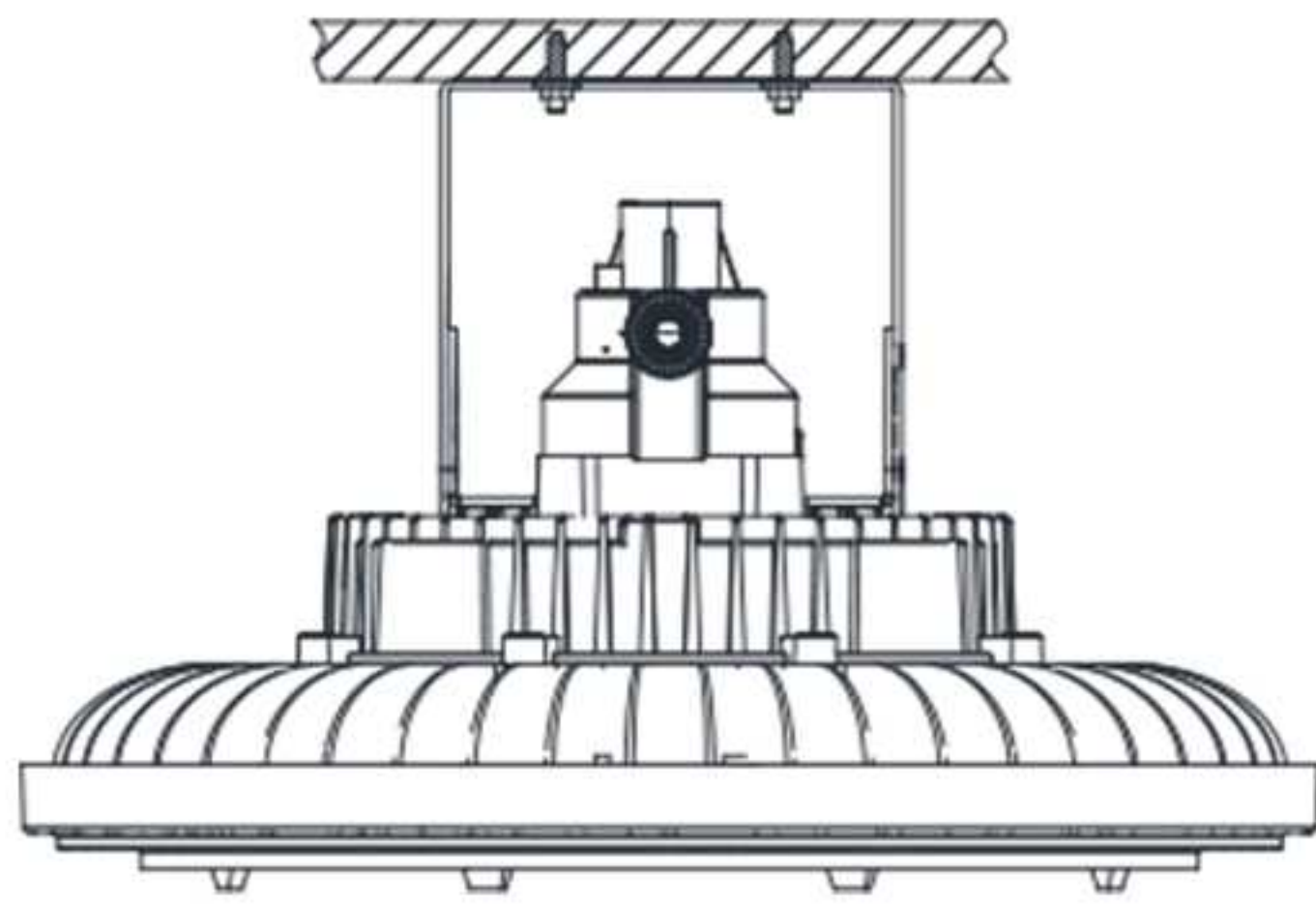


Product Model	Product Size	Carton Size	QTY/CTN	Net Weight	Gross Weight
CES-EX-GB-100XXXX	Φ460×243mm/Φ18.1×9.6"	530×530×390mm/20.9×20.9×15.4"	1	14.3 kg/29.6 lbs	17.2 kg/37.9 lbs
CES-EX-GB-120XXXX	Φ460×243mm/Φ18.1×9.6"	530×530×390mm/20.9×20.9×15.4"	1	14.3 kg/29.6 lbs	17.2 kg/37.9 lbs
CES-EX-GB-150XXXX	Φ460×243mm/Φ18.1×9.6"	530×530×390mm/20.9×20.9×15.4"	1	14.3 kg/29.6 lbs	17.2 kg/37.9 lbs
CES-EX-GB-185XXXX	Φ460×243mm/Φ18.1×9.6"	530×530×390mm/20.9×20.9×15.4"	1	14.3 kg/29.6 lbs	17.2 kg/37.9 lbs
CES-EX-GB-200XXXX	Φ460×243mm/Φ18.1×9.6"	530×530×390mm/20.9×20.9×15.4"	1	14.3 kg/29.6 lbs	17.2 kg/37.9 lbs

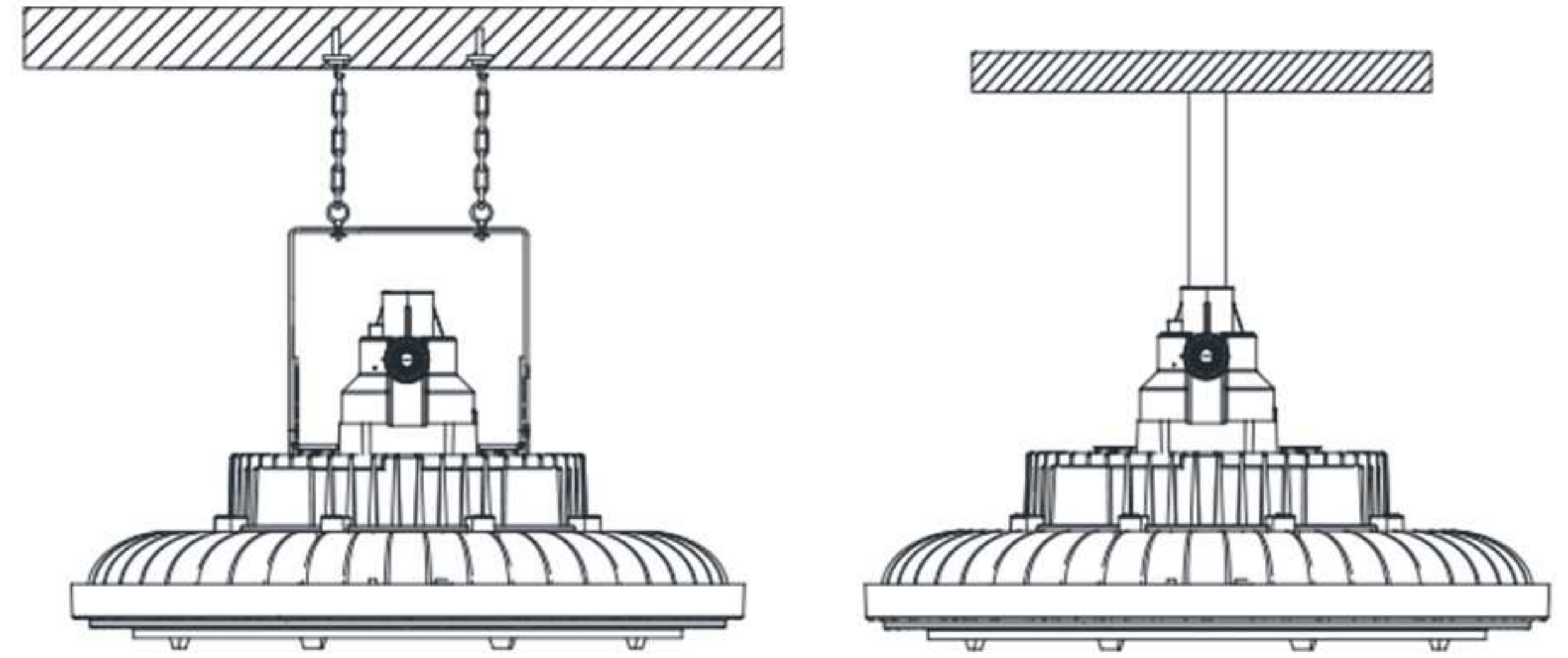
Technical parameter

ProductModel	CES-EX-GB Series
Type	LED Explosion proof High Bay Light
luminous efficiency	110-140 lm/W
Power (W)	100W / 120W / 150W / 185W / 200W
Voltage - Frequency	100-277Vac 50-60Hz
Color Temp	5000K (Provides 3000K to 6500K)
CRI (Ra) (typ.)	≥70
Power Supply	High Efficiency LED driver, more than 50000 hours lifespan
Beam Angle	180° /360°
Power Factor	>0.95
Rated Lifetime - L70 (hrs.)	50,000
THD	< 10%
Operating temperature	-40 °C to +50 °C
Entry Size	3/4"-14 NPT or M25 X1.5 or M26 X1.5
Cable	Three-core rubber cable, IEC (CE) certification, with 0.5m cable (Standard)

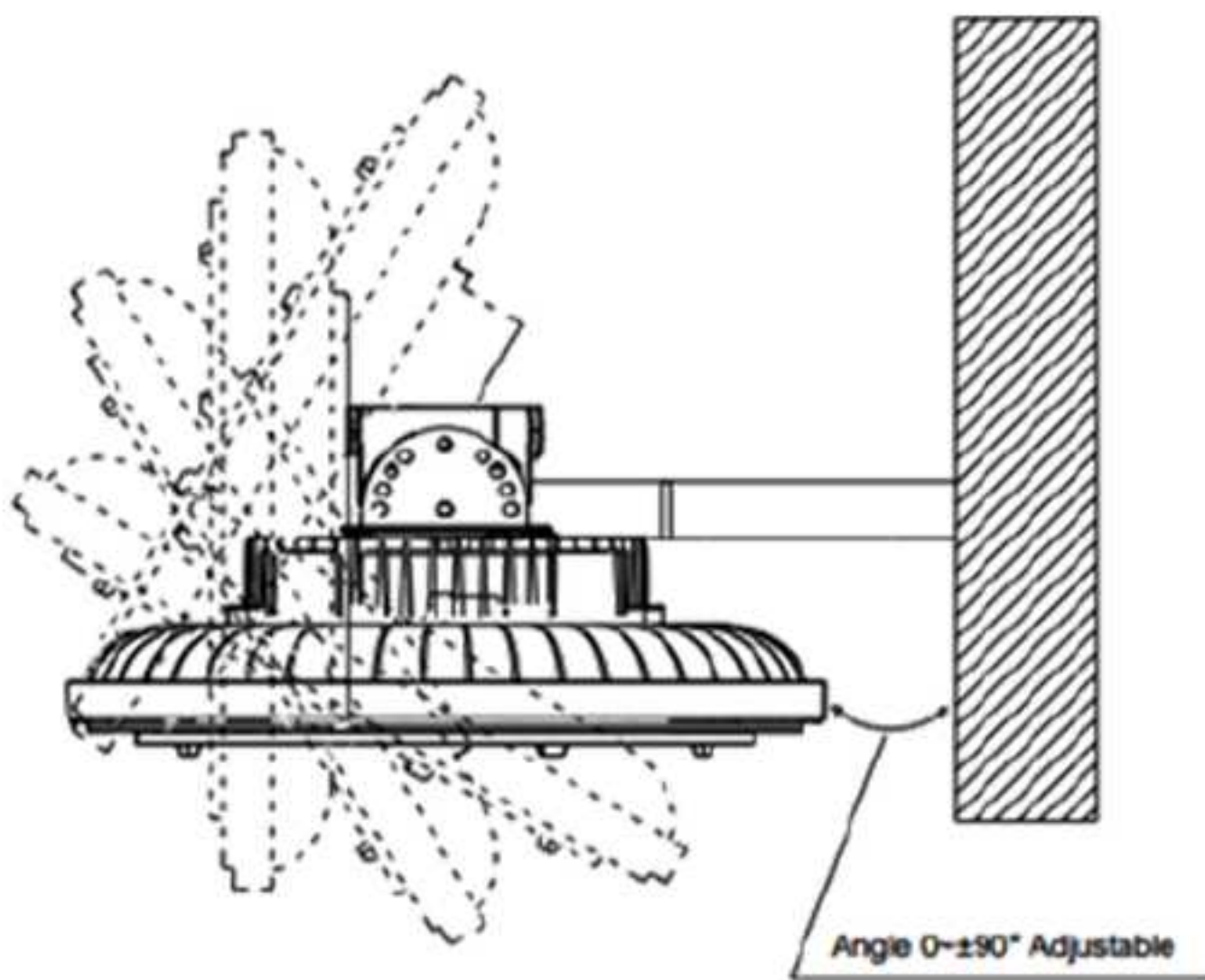
Installation method



A. Ceiling mount



B. Ceiling mount



C. WM - Wall Mount



D. Pole mount