



Hazardous Location LED Low Bay Light

CES-EX-GB-02 Series (ATEX / IECEx)

CES-EX-GB-02 Series (ATEX / IECEx) HAZARDOUS LOCATION LED LOW BAY LIGHT



Product description

CES-EX-GB-02 LED explosion proof lights are made of alloy aluminum and tempered glass, shock resistance and anti-vibration performance.

80 Watt can output high lumen flux no less than 10400LM, it is more energy saving than the HPS ex-proof lamp.

The luminaires have passed ATEX IECEx standards test, can be used for the Zone 1 Zone 2 hazardous area lighting.

In addition to the efficient and safe, these fixtures can with an emergency backup battery that provides energy efficient illumination, the emergency backup provide 1680 lumens for the 1.5 hours. According to the projects of your different requirement, multi-installation can be customized.

Features

- Patent designed to be Curved Fin Shape, maximize the best heat transmit.
- Housing - Aluminum alloy (ADC12).
- LED: LM80 certified, high efficacy, low decay, long lifespan. 120 lm/W +5.
- Lens -tempered glass (6mm) shock & vibration resistant.
- Meanwell LED Driver, >90% driver efficacy.
- Circuit design: 4KV/6Kv Surge Protection powersupply.



Certification

IECEx :

- Ex ec IIC T *Gc
- Ex tb IIIC T *°C Db;
- IP66;
- Certificate No: IECEx UL 22.0091X

ATEX :

- Ex II 3G Ex ec IIC T*Gc;
- Ex II 2D Ex tb IIIC T*Db;
- IP66;
- Certificate No: UL 22 ATEX 2543X,
UL 22 ATEX 2544X

Application

Wastewater treatment, oil and gas refineries, drilling rigs, offshore platforms, petrochemical facilities, chemical plants, coal mines, aviation bases, food plant, Pharmaceutical plant, beverage facilities, and where flammable vapors, gases, ignitable dusts, fibers or flyings are present.

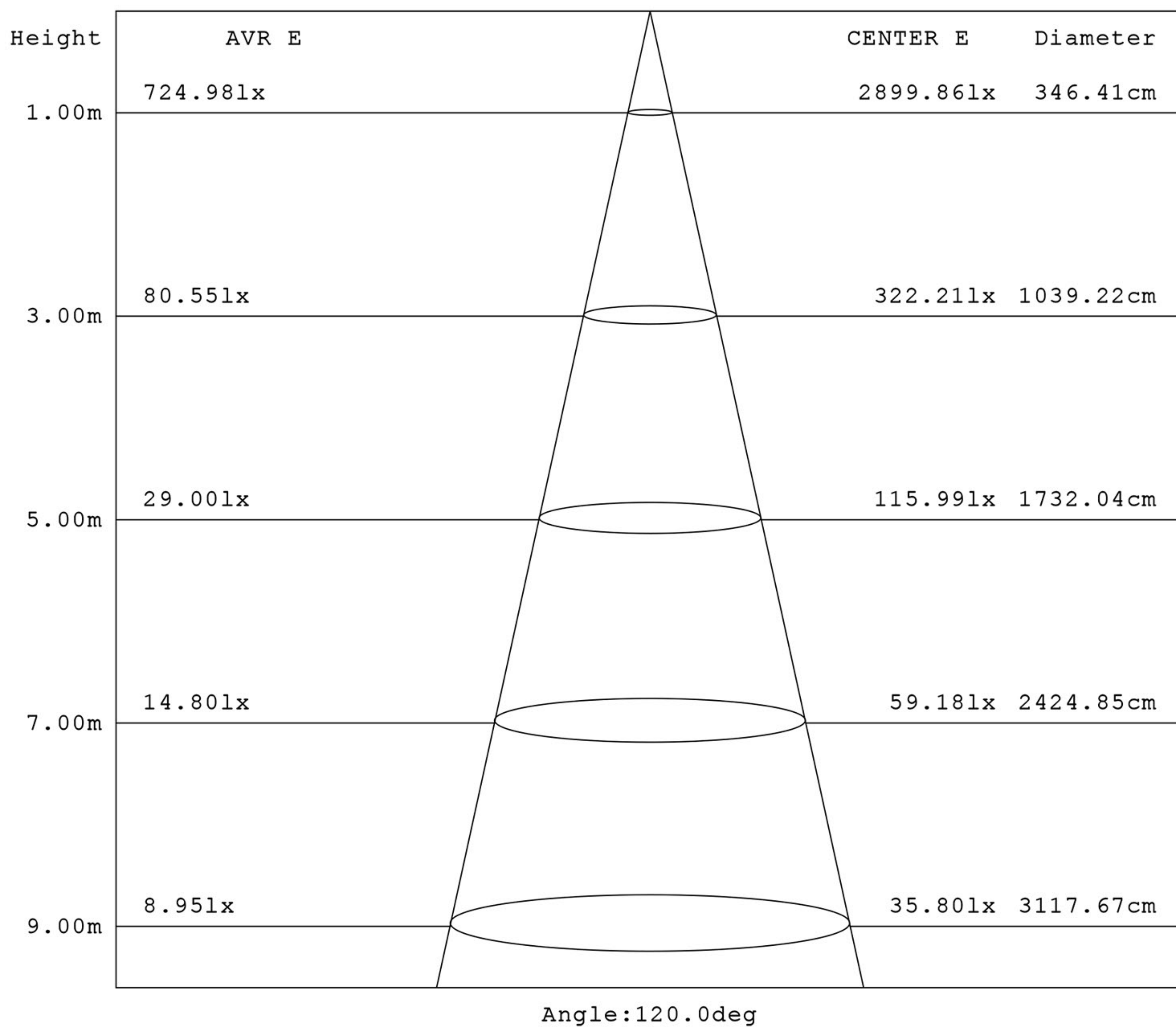
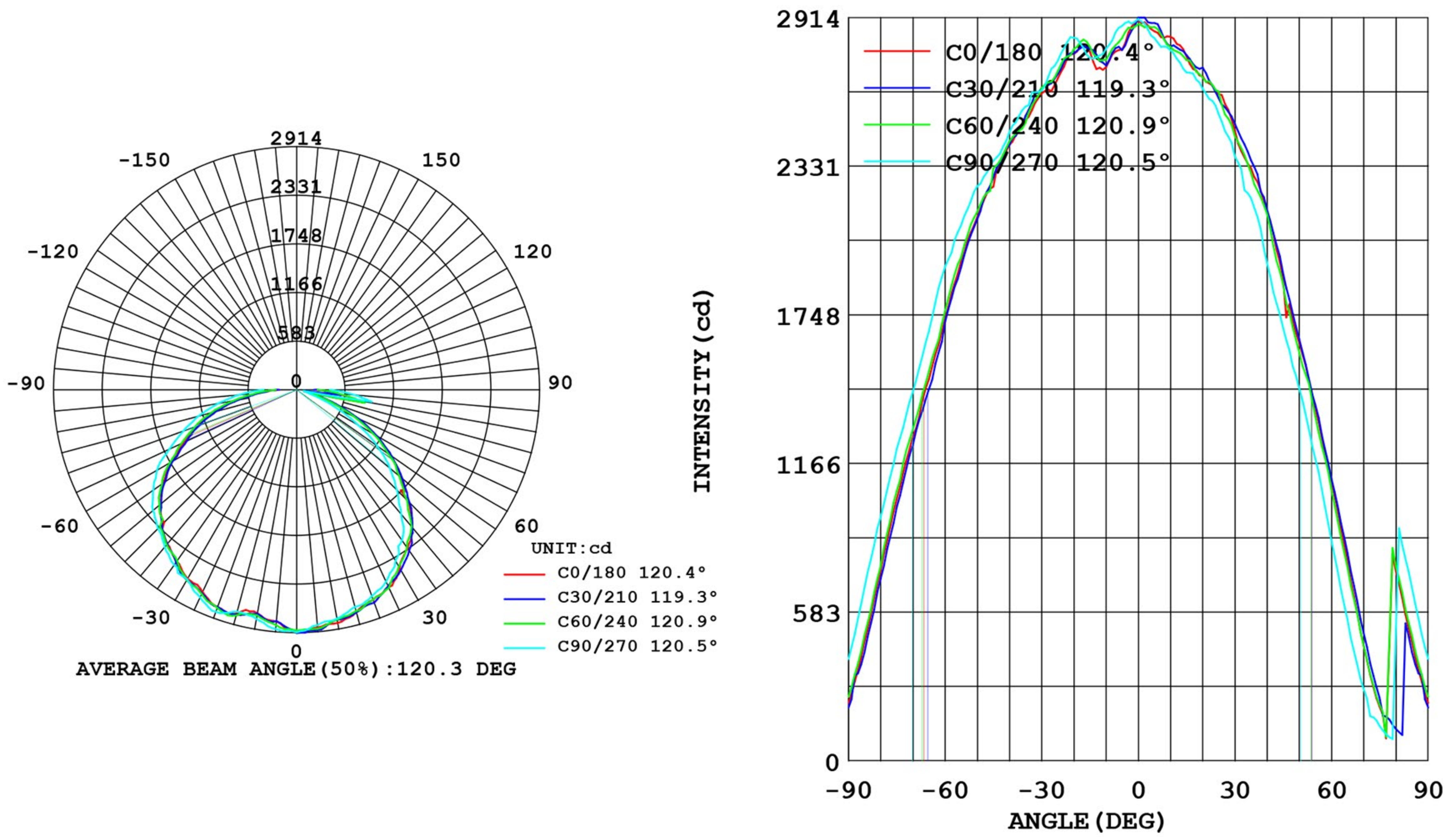
Warranty

5-Year Standard Warranty

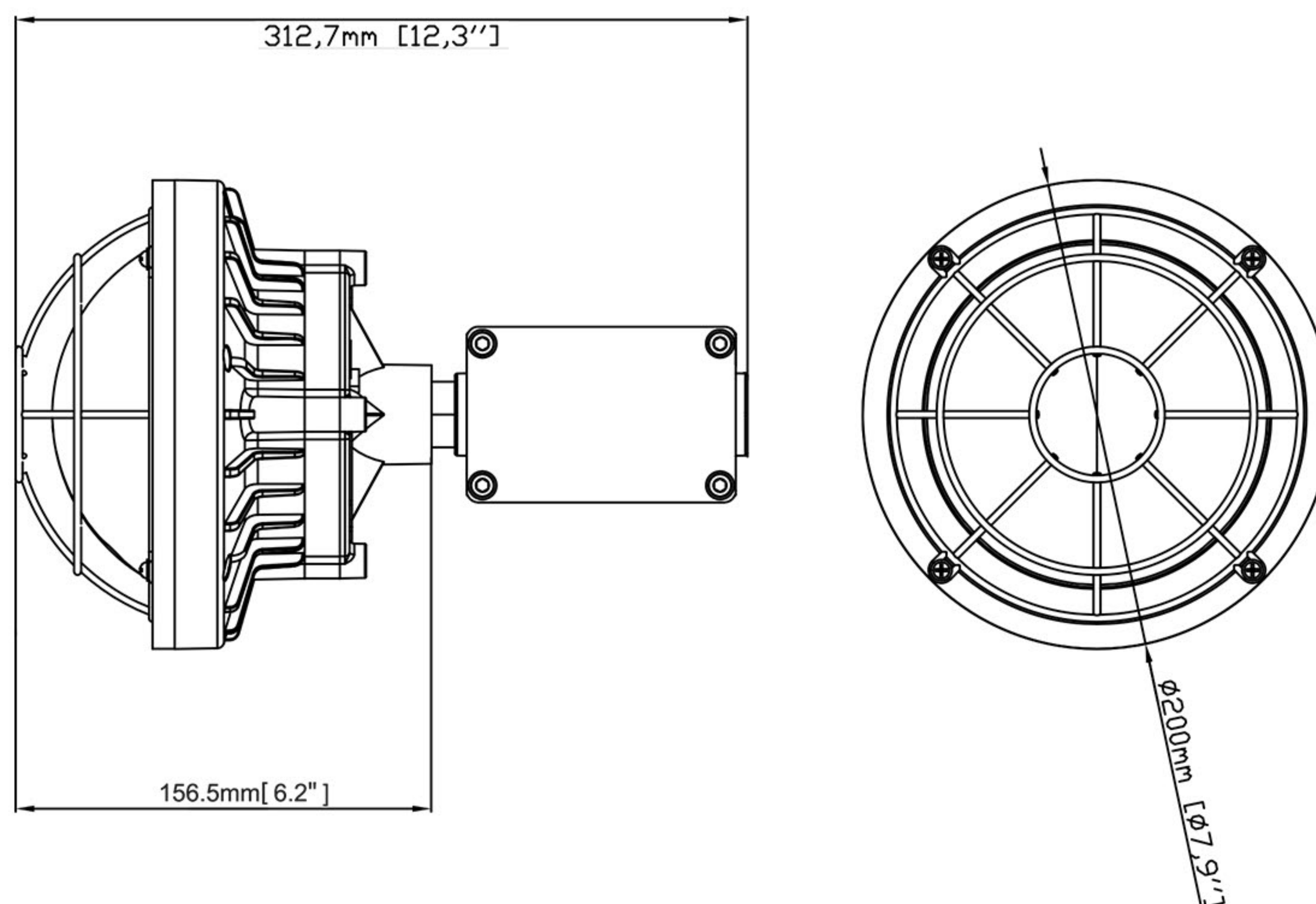


(Please see the specification of UL HazLoc version)

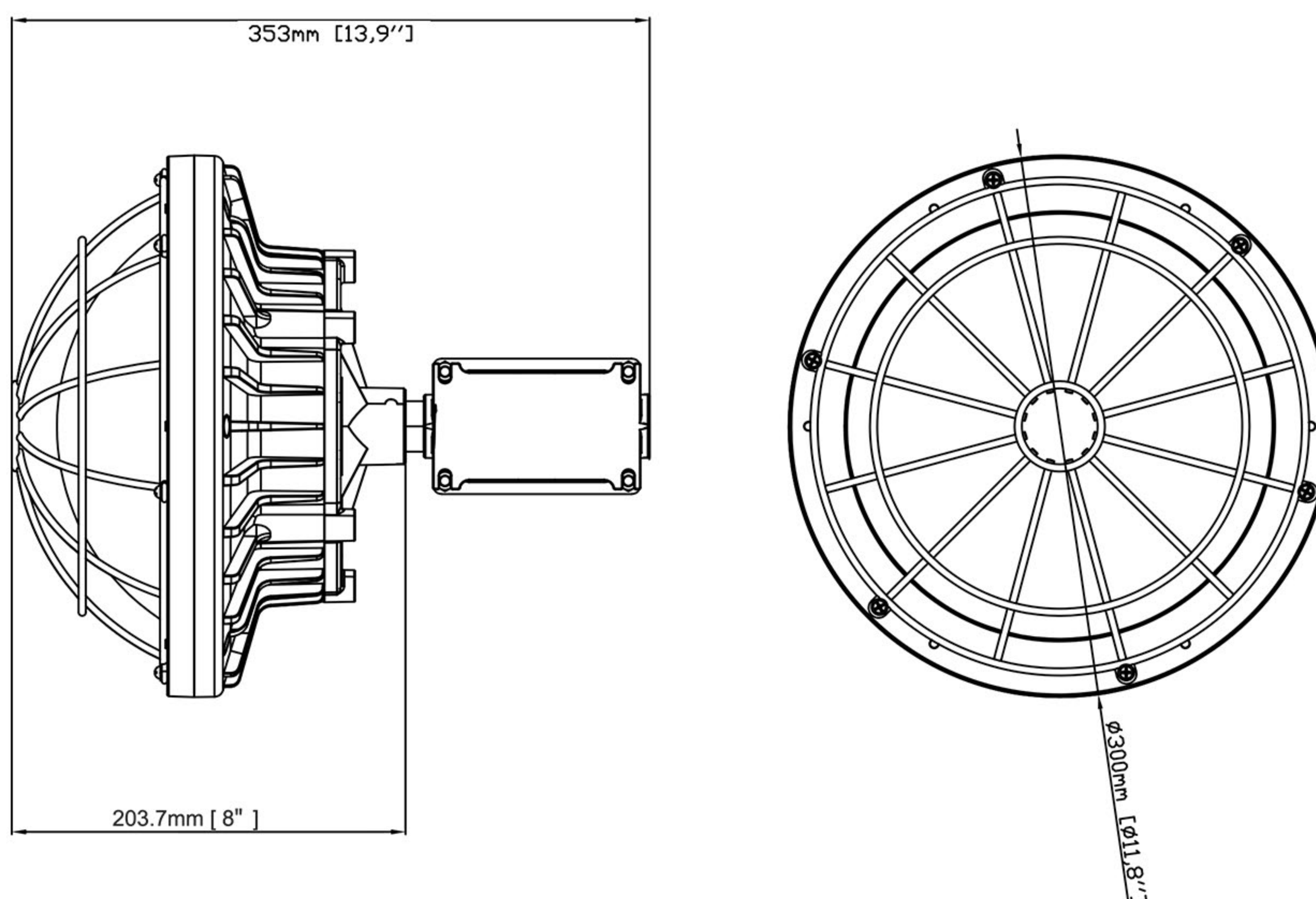
Lighting Distribution



Size and packaging



Product Model	Product Size	Carton Size	QTY/CTN	Net Weight	Gross Weight
CES-EX-GB-02-30XXXX	$\Phi 200 \times 157(312.7) \text{mm} / \Phi 7.9 \times 6.2(12.3)''$	270×270×280mm/10.7×10.7×11.1"	1	3.0 kg/6.7 lbs	3.1 kg/6.9 lbs
CES-EX-GB-02-40XXXX	$\Phi 200 \times 157(312.7) \text{mm} / \Phi 7.9 \times 6.2(12.3)''$	270×270×280mm/10.7×10.7×11.1"	1	3.0 kg/6.7 lbs	3.1 kg/6.9 lbs



Product Model	Product Size	Carton Size	QTY/CTN	Net Weight	Gross Weight
CES-EX-GB-02-60XXXX	$\Phi 300 \times 204(353) \text{mm} / \Phi 11.8 \times 8(13.9)''$	370×370×340 mm/14.6×14.6×13.4"	1	7.0kg/15.5 lbs	8.0 kg/17.7 lbs
CES-EX-GB-02-80XXXX	$\Phi 300 \times 204(353) \text{mm} / \Phi 11.8 \times 8(13.9)''$	370×370×340 mm/14.6×14.6×13.4"	1	7.0 kg/15.5 lbs	8.0 kg/17.7 lbs

Technical parameter

Product Model	CES-EX-GB-02-30/40XXXX	CES-EX-GB-02-60/80XXXX
Type	LED Explosion proof Low Bay Light	LED Explosion proof Low Bay Light
Light efficiency (Lm/W)	120 lm/W	120 lm/W
Power (W)	30W/40W	60W/80W
Voltage - Frequency	100-277Vac 50-60Hz	100-277Vac 50-60Hz
Color Temp	5000K (Provides 3000K to 6500K)	5000K (Provides 3000K to 6500K)
CRI (Ra) (typ.)	≥70	≥70
Power Supply	High Efficiency LED driver, more than 50000 hours lifespan	High Efficiency LED driver, more than 50000 hours lifespan
Beam Angle	120°	120°
Power Factor	>0.95	>0.95
Rated Lifetime - L70 (hrs.)	50,000	50,000
THD	< 10%	< 10%
Operating temperature	-40 °C to +50 °C	-40 °C to +50 °C
Entry Size	3/4"-14 NPT or M25 X1.5 or M26 X1.5	3/4"-14 NPT or M25 X1.5 or M26 X1.5
Cable	STOW, UL certification, 3x18AWG with 0.5m cable (standard)	STOW, UL certification, 3x18AWG with 0.5m cable (standard)

Product display



①



②

Installation method

<p>A. Pole Mount (Without junction box)</p>	
<p>B. Pole Mount (With junction box)</p>	