

Product data sheet

Specifications



basic digital output kit - Modicon STB - 24 V DC - 4 O

STBDDO3415K

Product availability: Non-Stock - Not normally stocked in distribution facility

Main

| | |
|------------------------------|--|
| Range Of Product | Modicon STB distributed I/O solution |
| Product Or Component Type | Basic digital output kit |
| Kit Composition | STBXBA1000 base STBXTS1100, 6-terminal screw type connector STBXTS2100, 6-terminal spring clamp connector STBDDO3415 module |
| Discrete Output Number | 4 |
| Discrete Output Type | Solid state |
| Discrete Output Voltage | 24 V |
| Discrete Output Voltage Type | DC |

Complementary

| | |
|---|--|
| Discrete Output Current | 250 mA |
| Discrete Output Logic | Positive |
| Output Voltage | 19.2...30 V DC |
| Absolute Maximum Voltage | 56 V 1.3 ms |
| Response Time | 560 μ s off-to-on 870 μ s on-to-off |
| Cold Swapping | Yes |
| Hot Swapping | No for basic NIMs |
| Protection Type | Power protection integrated fuse on PDM time lag 5 A Reverse polarity protection Short-circuit protection Thermal overload protection |
| Insulation Between Channels And Logic Bus | 1500 V for 1 minute |
| Maximum Leakage Current | 0.4 mA at state 0 30 V |
| Surge Current | 2.5 A 0.5 ms |
| Maximum Load Capacitance | 50 μ F |
| Maximum Load Inductance | 500 mH 4 Hz |
| Reset | Manual or automatic reset COM fault |
| Product Compatibility | I/O base STBXBA1000 Power distribution module STBPDT3100/3105 |
| [Us] Rated Supply Voltage | 24 V DC |
| Supply | Power distribution module |
| Current Consumption | 70 mA 5 V DC logic bus |

Price is "List Price" and may be subject to a trade discount – check with your local distributor or retailer for actual price.

| | |
|----------------------|--|
| Marking | CE |
| Overvoltage Category | II |
| Status Led | 1 LED (Green) module status (RDY) 1 LED per channel (Green) channel status (OUT1 to OUT4) |
| Height | 0.55 in (13.9 mm) |
| Depth | 2.76 in (70 mm) |
| Width | 5.05 in (128.3 mm) |
| Net Weight | 0.24 lb(US) (0.11 kg) |

Environment

| | |
|---------------------------------------|--|
| Standards | IEC 61131-2 |
| Product Certifications | CSA FM Class 1 Division 2 UL |
| Pollution Degree | 2 IEC 60664-1 |
| Operating Altitude | <= 6561.68 ft (2000 m) |
| Ip Degree Of Protection | IP20 conforming to IEC 61131-2 class 1 |
| Ambient Air Temperature For Operation | 32...140 °F (0...60 °C) without derating) |
| Ambient Air Temperature For Operation | 32...140 °F without derating |
| Ambient Air Temperature For Storage | -40...185 °F (-40...85 °C) without derating |
| Ambient Air Temperature For Storage | -40...185 °F without derating |
| Relative Humidity | 95 % 140 °F (60 °C) without condensation |
| Vibration Resistance | 3 gn 58...150 Hz 35 x 7.5 mm symmetrical DIN rail 5 gn 58...150 Hz 35 x 15 mm symmetrical DIN rail +/-0.35 mm 10...58 Hz |
| Shock Resistance | 30 gn 11 ms IEC 88 reference 2-27 |

Ordering and shipping details

| | |
|-------------------|---------------|
| Category | US1PC3218215 |
| Discount Schedule | PC32 |
| Gtin | 3595863989281 |
| Returnability | No |
| Country Of Origin | US |

Packing Units

| | |
|------------------------------|-------------------|
| Unit Type Of Package 1 | PCE |
| Number Of Units In Package 1 | 1 |
| Package 1 Height | 1.18 in (3.0 cm) |
| Package 1 Width | 3.15 in (8.0 cm) |
| Package 1 Length | 5.12 in (13.0 cm) |
| Package 1 Weight | 4.73 oz (134.0 g) |
| Unit Type Of Package 2 | S02 |
| Number Of Units In Package 2 | 28 |

| | |
|-------------------------------------|---------------------------|
| Package 2 Height | 5.91 in (15 cm) |
| Package 2 Width | 11.81 in (30 cm) |
| Package 2 Length | 15.75 in (40 cm) |
| Package 2 Weight | 9.21 lb(US) (4.178 kg) |
| Unit Type Of Package 3 | P06 |
| Number Of Units In Package 3 | 448 |
| Package 3 Height | 29.53 in (75.0 cm) |
| Package 3 Width | 15.75 in (40.0 cm) |
| Package 3 Length | 31.50 in (80.0 cm) |
| Package 3 Weight | 187.46 lb(US) (85.032 kg) |

Contractual warranty

| | |
|-----------------|-----------|
| Warranty | 18 months |
|-----------------|-----------|

Sustainability


Green Premium™ label is Schneider Electric's commitment to delivering products with best-in-class environmental performance. Green Premium promises compliance with the latest regulations, transparency on environmental impacts, as well as circular and low-CO₂ products.


Guide to assessing product sustainability is a white paper that clarifies global eco-label standards and how to interpret environmental declarations.

[Learn more about Green Premium >](#)

[Guide to assess a product's sustainability >](#)

Well-being performance

 Mercury Free

 Rohs Exemption Information [Yes](#)

Reach Regulation [REACH Declaration](#)

Eu Rohs Directive Pro-active compliance (Product out of EU RoHS legal scope)

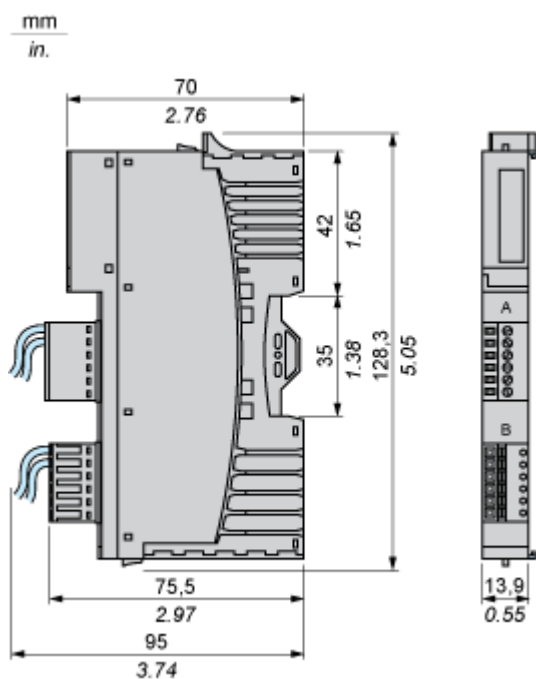
China Rohs Regulation [China RoHS declaration](#)

Weee The product must be disposed on European Union markets following specific waste collection and never end up in rubbish bins.

California Proposition 65 WARNING: This product can expose you to chemicals including: Lead and lead compounds, which is known to the State of California to cause cancer and birth defects or other reproductive harm. For more information go to www.P65Warnings.ca.gov

Dimensions Drawings

Dimensions

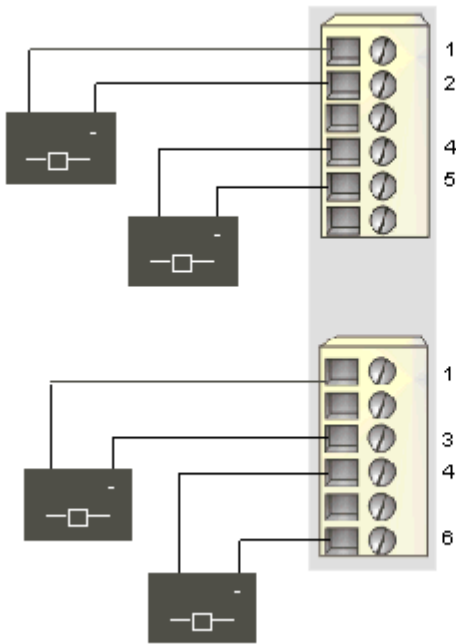


Connections and Schema

Wiring Diagram

Example

4 two-wire actuators



| Pin | Top Connector | Bottom Connector |
|-----|----------------------|----------------------|
| 1 | output to actuator 1 | output to actuator 3 |
| 2 | field power return | field power return |
| 3 | field power return | field power return |
| 4 | output to actuator 2 | output to actuator 4 |
| 5 | field power return | field power return |
| 6 | field power return | field power return |