



## Introduction

DL361 is a deep reflector design, it has a wider shielding angle which can lower the glare and reach  $UGR < 19$ . Adopt bridgelux brand COB light source,  $CRI > 80$  for a more real lighting effect, multiple beam angle for option. For structure, it adopts ADC12 aluminum housing to assure a better thermal management, great light transmittance with transparent tempered glass. Dimmable driver shares great popularity by the excellent dimming effect.

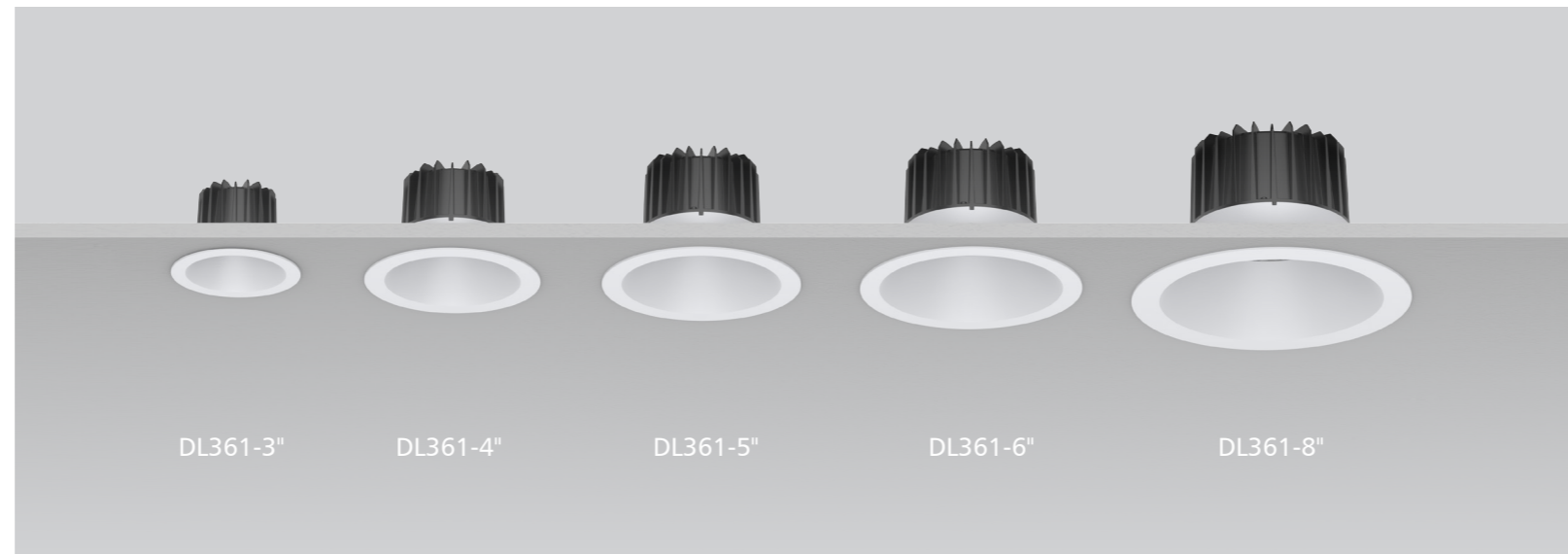
## Features

- Deep reflector design with wider shielding angle to achieve  $UGR < 19$ .
- ADC12 aluminum die-casting housing provides excellent thermal dissipation.
- IP44 in front part.
- $CRI > 80$  for a more real lighting effect.
- External flicker free driver.
- Dimming ways: Triac dim, 0-10V, DALI
- From 3/4/5/6/8" full sizes COB downlight

## Application Areas

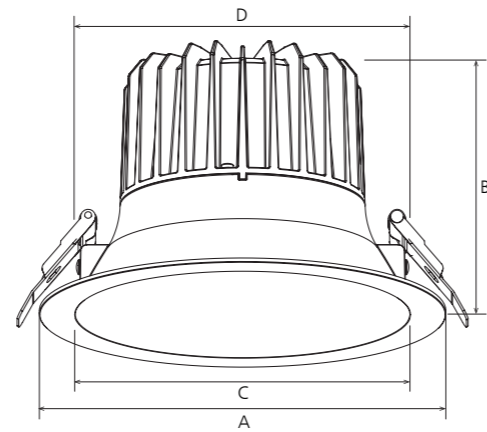
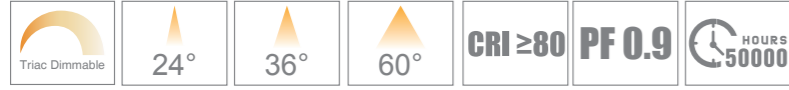
It is designed for general lighting applications in supermarket, shop, school, hotel etc. It is also widely used for public areas, such as stairway, lobby, reception, corridors etc.





## Technical Data Sheet

Code No.	DL361-3-10W	DL361-4-13W	DL361-5-18W	DL361-6-18W	DL361-6-25W	DL361-8-18W	DL361-8-25W	DL361-8-35W		
Dimension(mm)	Ø110*H75	Ø150*H97	Ø170*H112	Ø190*H120		Ø240*H142				
Cutout (mm)	Ø90-100	Ø120-130	Ø140-150	Ø160-170		Ø195-230				
Watt(W)	10W	13W	18W	18W	25W	18W	25W	35W		
Rated Input Voltage(V)	AC230V									
Input Voltage(V)	AC220-240V									
LED Module Input	DC33-38V									
Light Source	COB									
SDCM	<4									
CCT(K)	1-CCT: 2700K/3000K/4000K/5000K									
CCT Selection DIP Switch	-									
Luminous Flux (lm) ±5%	1-CCT	Non-DIM	1050-1120	1380-1500	2080-2250	2080-2250	2950-3200	2080-2250	2950-3200	4000-4200
		DIM	960-1030	1290-1400	2080-2250	2080-2250	2720-2950	2080-2250	2720-2950	3770-3960
	3-CCT	Non-DIM	-							
		DIM	-							
CRI	Ra>80									
Beam Angle (°)	24° / 36° / 60°									
UGR (COB)	24°/36°	UGR<14		UGR<16		UGR<14				
	60°	UGR<19								
LED Driver	Built-out									
Dimming Option	Triac									
Sensor	No									
Emergency Kits	No									
Electrical Class	Class II									
Ingress Protection (IP Rating)	IP44(Below Ceiling) IP20(Inside Ceiling)									
Impact Resistance (IK Rating)	-									
Product Finishing(Base)	Black RAL9005/White RAL9016									
Materials of Optics	Aluminum+PC transparent cover									
Materials of Housing	Aluminum Die-casting									
Lifetime (hr)	50,000h									
Glow wire test (°C)	750°C									
Operating Temp. (°C)	-20°C~45°C									
Storage Temp. (°C)	-20°C~65°C									
Installation	Recessed									



## Measurement

Code	Dimension(mm)				Size(mm)	Product Weight (Kg)		Package weight (Kg)		Carton Size(cm)	Qty/CTN	20GP (pcs)	40HQ (pcs)
	A	B	C	D		N.W/PC	G.W/PC	N.W/CTN	G.W/CTN				
DL361-3	110	75	85	90	Ø110*75	0.30	0.38	18.00	19.52	56*42.5*38.5	48	12720	30528
DL361-4	150	97	115	119	Ø150*97	0.44	0.54	12.96	14.48	53*36*46.5	24	6144	15600
DL361-5	170	112	135	139	Ø170*112	0.61	0.76	18.24	19.76	59*40*56.5	24	4992	9984
DL361-6	190	120	156	157	Ø190*120	0.70	0.85	10.20	11.60	44*44*44.5	12	3900	7800
DL361-8	240	142	191	194	Ø240*142	0.93	1.08	6.48	8.08	54.5*28*50.5	6	2016	5040

## Driver Datasheet(Non-dimmable)

Total load wattage		10W	13W	18W	25W	35W
Output	Output Voltage range	DC30-40V				
	Rated output current	250mA	320mA	450mA	650mA	900mA
	Line Regulation	±5%				
	Setup, Rise Time	<500ms @230V				
	Flickering Index	0.5%(NO RISK)		0.8%(NO RISK)		0.5%(NO RISK)
Input	Input Voltage	AC200-264V				
	Rated Input Voltage(V)	AC220-240V				
	Frequency	50/60Hz				
	Input Current	≤0.06A	≤0.08A	≤0.11A	≤0.15A	≤0.2A
	Rated Input Current	≤0.06A	≤0.07A	≤0.1A	≤0.14A	≤0.19A
	Power Factor	0.9				
	THD	<20% @230V				
	Efficiency	≥86%		≥88%		≥90%
	No load wattage	< 0.5W @230V				
Protection	Short circuit protection	PASS				
	Over voltage protection	PASS				
	Over temperature protection	PASS				
Safety & EMC	Withstand voltage	I/P-O/P:3.75KVac, <5mA 60S				
	Isolation Resistance	I/P-O/P: 500VDC, ≥100M Ω				
	Surge	IEC/EN61000-4-5( P<25W; L-N:500V)			IEC/EN61000-4-5 (P≥25W L-N:1KV)	
	EMC Emission	IEC/EN55015, IEC/EN61000-3-2				
	EMC Immunity	IEC/EN61000-4-2,3,4,5,6,8,11; IEC/EN61547				

## Driver Datasheet(Triac Dimmable)

Total load wattage		10W	13W	18W	25W	35W
Output	Output Voltage range	DC30-40V				
	Rated output current	230mA	300mA	450mA	600mA	850mA
	Line Regulation	±5%				
	Setup, Rise Time	<500ms @230V				
	Flickering Index	5%(LOW RISK)		4%(LOW RISK)		
Input	Input Voltage	AC200-264V				
	Rated Input Voltage(V)	AC220-240V				
	Frequency	50Hz				
	Input Current	≤0.06A	≤0.08A	≤0.11A	≤0.15A	≤0.2A
	Rated Input Current	≤0.06A	≤0.07A	≤0.1A	≤0.14A	≤0.19A
	Power Factor	0.9				
	THD	<20% @230V				
	Efficiency	≥80%		≥83%		
	No load wattage	<0.5W @230V				
Protection	Short circuit protection	PASS				
	Over voltage protection	PASS				
	Over temperature protection	PASS				
Safety & EMC	Withstand voltage	I/P-O/P:3.75KVac, <5mA 60S				
	Isolation Resistance	I/P-O/P: 500VDC, ≥100M Ω				
	Surge	IEC/EN61000-4-5( P<25W; L-N:500V)			IEC/EN61000-4-5 (P≥25W L-N:1KV)	
	EMC Emission	IEC/EN55015, IEC/EN61000-3-2				
	EMC Immunity	IEC/EN61000-4-2,3,4,5,6,8,11; IEC/EN61547				

## Installation Procedure

### WARNING ⚡

1. Switch off before installation.
2. Switch on only after complete installation and examination of the circuit.
3. Professional electrician for installation and maintenance only.



## Downlight with external driver

