

LED WALL WASHER

ITEM NO.: SP-F120A Series

INSTRUCTION OF LED WALL WASHER/SP-F120A

Now we are pleased to introduce our new design LWW-G in our company. We developed the quality and production effect for this product, and let buyers get much easier repairation (especially for power supply). Moreover, this product has much better light effect, more exquisite construction, stronger base, more convenient for installation. This product is mainly used for decorating and highlighting in building frame, garden, etc. **LFL series is single steady color without any change.**

***The manual is based on the LWW series, please skip B&C parts when it is LFL series.

A. Specification

A-1. Structure

Materials of Shell: Aluminum alloy
 Input Voltage: 120V/240V AC
 Operating Voltage: 24V DC
 Protecting Rating: IP65
 Operating Temperature: -20°C~40°C



A-2. Model Configuration Table

Model No.	LED Color	LED Quantity	Power Consumption	Beam Angle	Size	Weight	✓
SP-F120A-30P	R, G, B/WW/NW/W	30	30 WATTS	25°/35°/45°	L265xW120xH167mm	2.0kg±5%	

B. Working Mode

B-1. Independent Mode: Choose the build-in programs via the buttons on the back of the head

B-2. DMX Mode: International standard DMX512 signal.

B-3. Master/Slave Mode: Auto online and synchro working.

C. Function & Setup

C-1. DMX Mode

1. DMX Addressing

This product has 3 DMX channels, For DMX addressing need Master Pro2. Pls refer to the details datasheet.
 ***Valid DMX address: 001~512

2. DMX Channel instruction-3 Channels available as sheet:

CHANNEL 1		CHANNEL 2		CHANNEL 3	
Data	Function	Data	Function	Data	Function
0~255	Brightness of Red	0~255	Brightness of Green	0~255	Brightness of Blue

***Enter or quit DMX mode automatically once detecting valid signal!!!

C-2. Independent Mode

Light will be entered into independent mode automatically without DMX signal. It will be circled as multicolor changing, single color fading, multicolor fading, multicolor flashing orderly.

C-3. Master/Slave Mode

Choose any one light as the master for attaining auto online function, the operations are as below: firstly, set the address of master as 001, others are set as slave (address can be any one except 001); Change function of the master (001) light, then all lights will work synchronously;

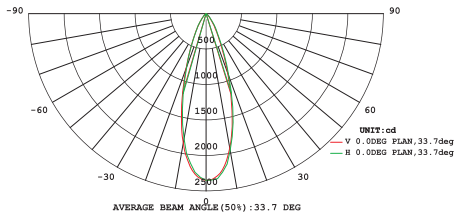
LED WALL WASHER

ITEM NO.: SP-F120A Series

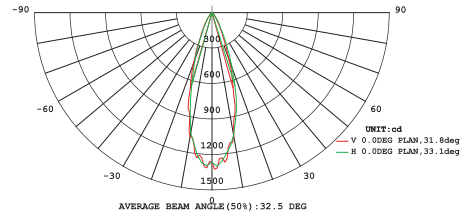
D.Photometrics Parameters

D-1. Cadela Distribution

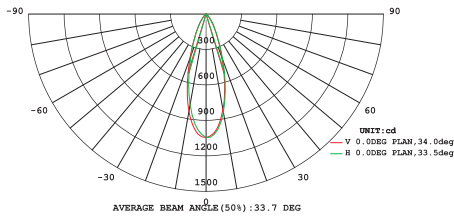
SP-F120A-30P Beam Angle : 35°



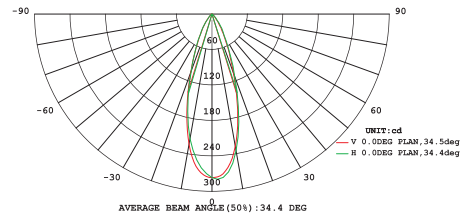
RGB



Red



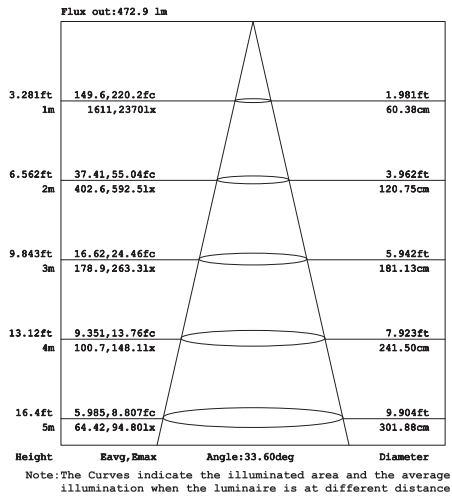
Green



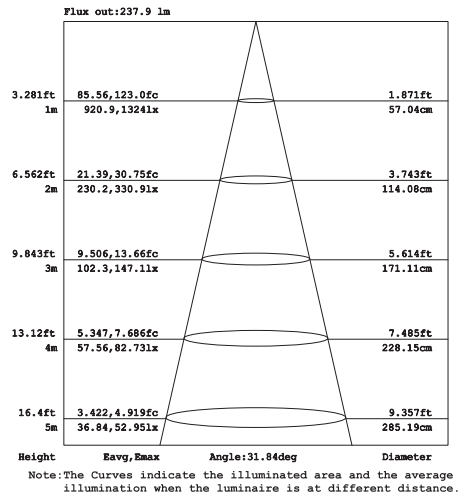
Blue

D-2. Illuminance At A Distance

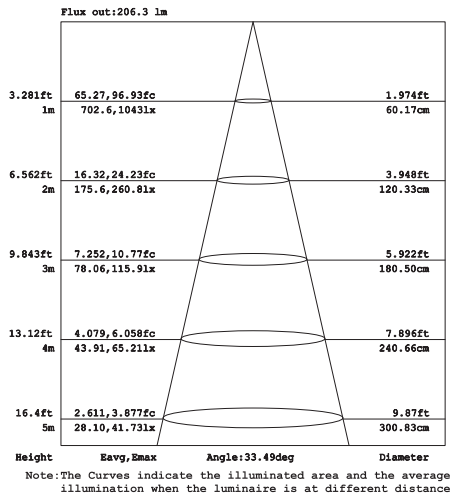
SP-F120A-30P Beam Angle : 35°



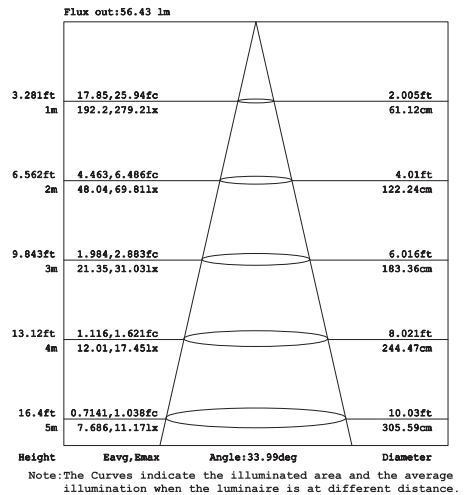
RGB



Red



Green

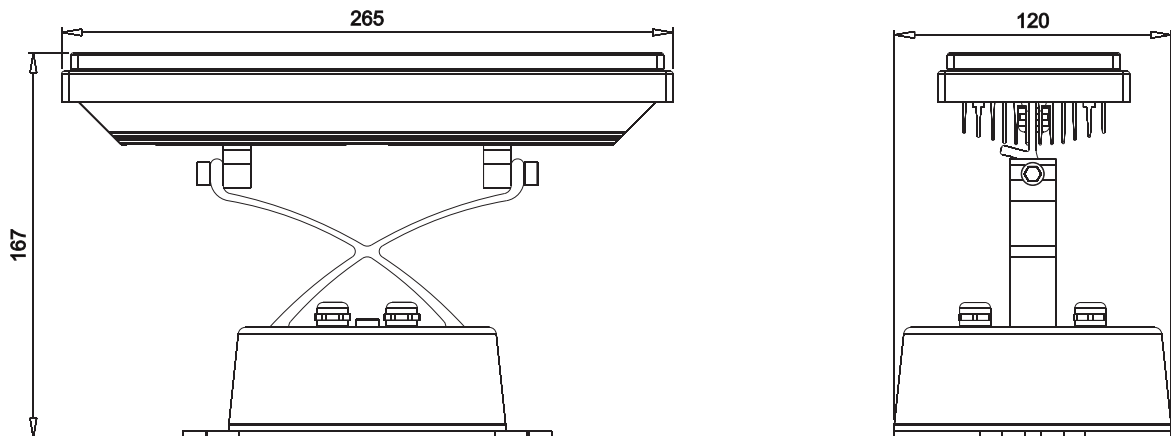


Blue

LED WALL WASHER

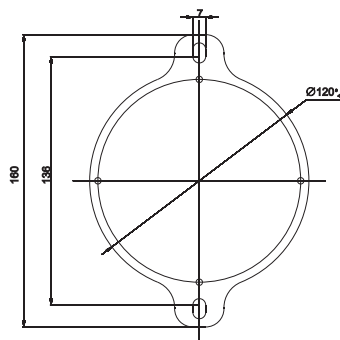
ITEM NO.: SP-F120A Series

E. Dimension Drawing



F. Installation Drawing

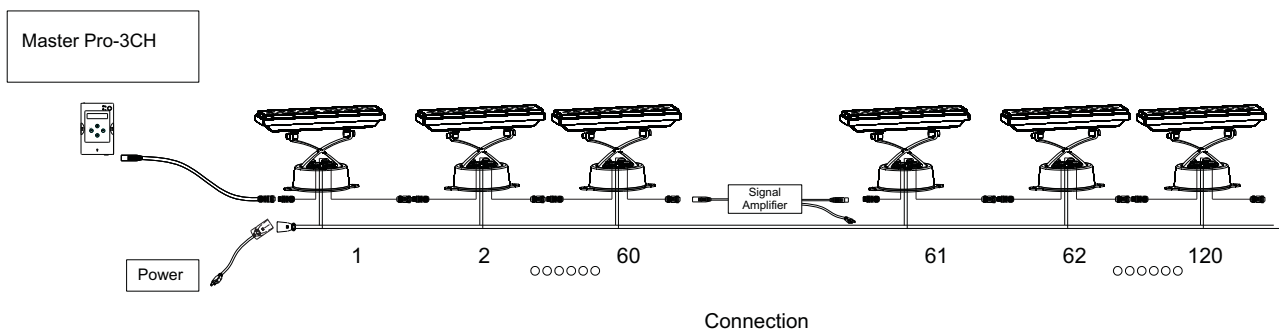
Fix the brackets via M6 tapping screw, mounting size as below:



G. Connection

G-1. Signal max connection is 100m, every 100m or 60pcs fixtures needs a signal amplifier.

G-2. Optional controller: Master Pro-3CH, Sunlite, DMX-192C, Madrix and other DMX controllers.

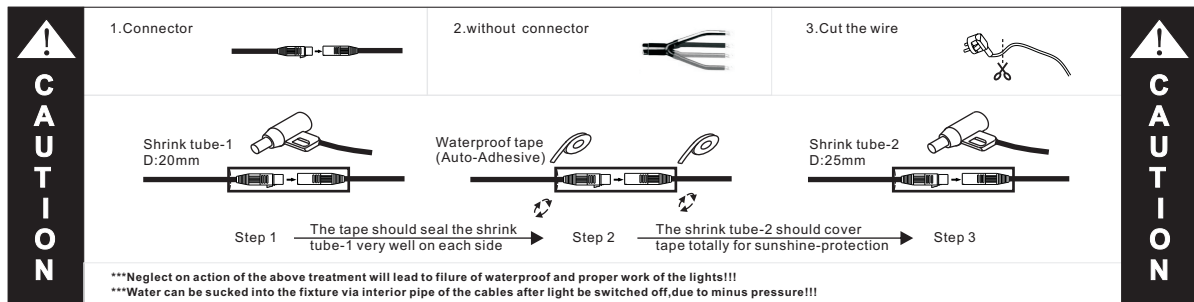


H. Waterproof Treatment

The signal output connector XLR-3 of the last fixture of each series must be sealed with a 20mm thermal shrinking tube(-1), blow and shrink it with a hair driers; thence wrapped with waterproof tape (auto-adhesive, please refer to below instruction for operation) on both side; Blow the second 25mm shrink tube(-2) at last so as to protect waterproof tape under sunshine and guarantee the waterproof validity.

LED WALL WASHER

ITEM NO.: SP-F120A Series



*** Power connector should be treated in the same way if available!!!

*** IP68 connector does not require above treatment, but you connect a threaded twist quite well to prevent operational errors lead to joint water

Caution:

1. Do not plug them into power when the product is still in package;
2. Don't use anything to cover the fixture during application;
3. Don't use this product in close environment;
4. If this product appears to be damaged, do not attempt any repair, please contact your dealer.

Warning:

- * Neglect on action of the above treatment will lead to failure of waterproof and proper working of the lights!!!
- * Make sure the ground connection well avoid electric shock, due to metal housing.

Note: The above instruction are subject to update or improved without notice.Pls turn to our staff for further details !
Thanks for your long term support !