

S2000



features

electrical system

- built-in control gear suitable for HID lamps from 250W - 400W

housing

- high pressure aluminium die-cast housing with AKzo Nobel Interpon outdoor epoxy powder coating

reflector

- high purity anodized hammered finish aluminium reflector

glass

- thermal resistant tempered glass

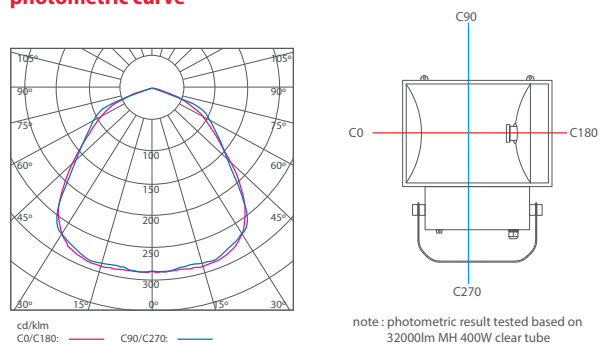
mounting bracket

- steel mounting bracket coated with epoxy powder

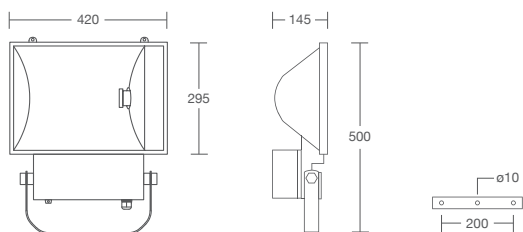
technical data

- ingress protection • IP65
- voltage • 220 - 240 Vac 50 / 60Hz
- lamp wattage • 250W - 400W
- holder type • E40
- maximum weight • 9 kg
- colour of housing • black

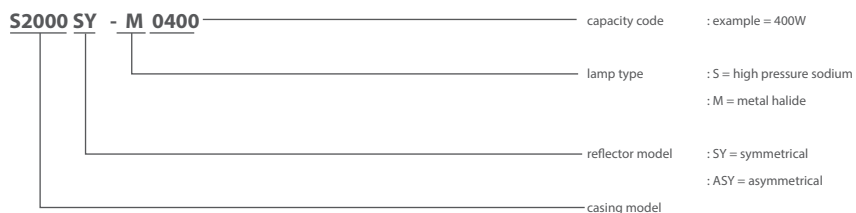
photometric curve



dimension



key for standard order coding



order code

model	lamp type	lamp holder	carton dimension (L x W x H) mm	order code
S2000 SY MH 250W (2.1A)	tubular	E40	475 x 430 x 165	S2000-M0250
S2000 SY MH 400W	tubular	E40	475 x 430 x 165	S2000-M0400
S2000 SY HPS 250W	tubular	E40	475 x 430 x 165	S2000-S0250
S2000 SY HPS 400W	tubular	E40	475 x 430 x 165	S2000-S0400

* S2000 asymmetrical type floodlight is available upon request.

note : Due to rapid change and continuous improvement in technology, all specifications are subject to change without prior notice to improve reliability, function or design in order to supply the best product possible.