



90°



Benefits

- Durable & compact aluminum housing for a long lifespan
- Bright illumination with low power usage
- Ideal for landscape lighting
- Tilting angle 90°

Application



Garden



Pedestrian Area



Residence Area



Parking

Model	Item Description	W	PF	lm	lm/W	CRI	Beam	Temp	Single Box (LxWxH)mm	Outer Box (LxWxH)mm	Packing Qty (PCS/CTN)
ZDL1062-GSL-13W	RICA GSL 13W 3000K IP65 BK	13	0.6	1100	85	>80	60°	40000	80*80*380	425*395*340	20

Technical Specifications

CRI	80
Colour Consistency (SDCM)	≤ 6
Dimmable	No
Housing Colour	Black
IP	IP65
IK	IK08
Driver integrated (Yes/No)	Yes

Electrical Supply

Frequency (Hz)	50/60Hz
Voltage (V)	220V-240V
AC/DC	AC

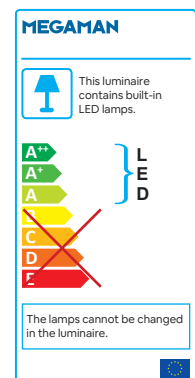
Mechanical Properties

Optical Material	PC
Housing Material	Aluminum

Application Conditions

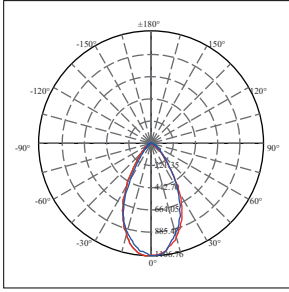
Operating Temperature	-20°C~40°C
Application Temperature	25°C
Storage Environment	-25°C~50°C

CE CB

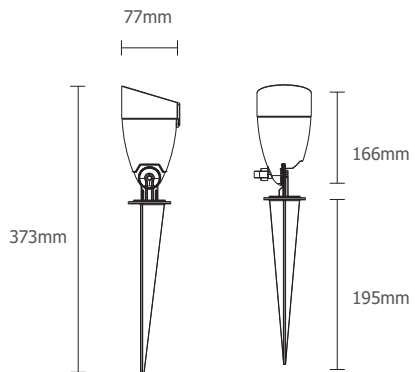


Photometric Data

ZDL1062-GSL-13W



Dimensional Drawing



ZDL1062-GSL-13W