

LED SPOT LIGHT

ITEM NO : SP-R40A/R100A/R120A Series

INSTRUCTION OF LED SPOT LIGHT

Spot light can be installed not only on the ceiling edge or furniture upper part, but also in the wall, dado or baseboard. It highlights subjective aesthetic function, so that the artistic effect of environment uniqueness, rich atmosphere and colorfulness can be realized. Also, the soft light of built-in LED plays an important role on integral illumination and foils atmosphere in local lighting.

A. Specification

A-1. Structure

Materials of Shell: Aluminum
 Rotary angle: 180°
 Input Voltage: 12V/24V DC
 Protecting Rating: IP65
 Operating Temperature: -20°C~40°C



SP-R40A-3P



SP-R100A-9P



SP-R120A-18P

A-2 Model Configuration Table

Model No.	LED Color	LED Quantity	Operating Voltage	Power consumption	Beam Angle	Size	Weight	✓
SP-R40A-3P	R-1, G-1, B-1	3	12/24V DC	3 WATTS	15°/25°/40°(3in1)	Φ42×H120/288mm	0.35kg±5%	
SP-R40A-1P	R, G, B,W,WW	1	12/24V DC	3 WATTS	10°/20°/45°	Φ42×H120/288mm	0.35kg±5%	
SP-R100A-9P	R-3, G-3, B-3	9	12/24V DC	9 WATTS	15°/25°/40°(3in1)	Φ99×H138/307mm	1.0kg±5%	
SP-R100A-3P	R, G, B,W,WW	3	12/24V DC	9 WATTS	20°/30°/40°	Φ99×H138/307mm	1.0kg±5%	
SP-R120A-18P	R-6, G-6, B-6	18	24V DC	18 WATTS	15°/25°/40°(3in1)	Φ120×H148/323mm	1.2kg±5%	
SP-R120A-6P	R, G, B,W,WW	6	24V DC	18 WATTS	20°/30°/40°	Φ120×H148/323mm	1.2kg±5%	

B. Working Mode:

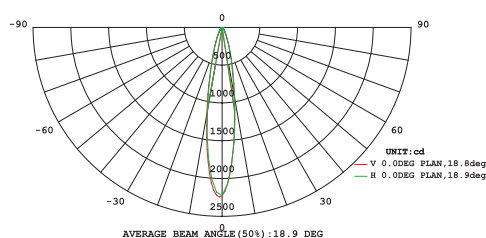
These products must work with RGB controller CTR-RGB-12/24V to use. For detailed application and function, please refer to 《INSTRUCTION OF CTR-RGB-12/24V》.

C. Photometrics Parameters

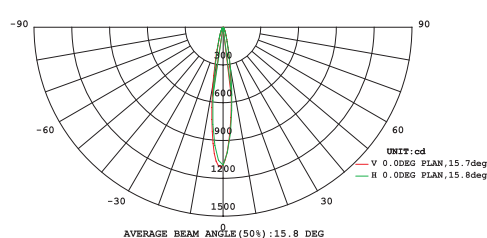
C-1. Cadela distribution

SP-R120A-18P-24V

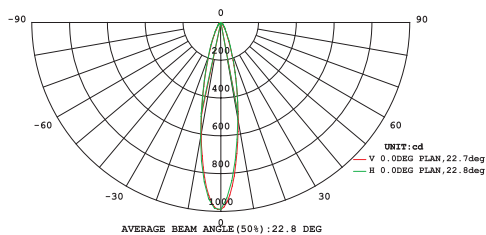
Angle: 25°



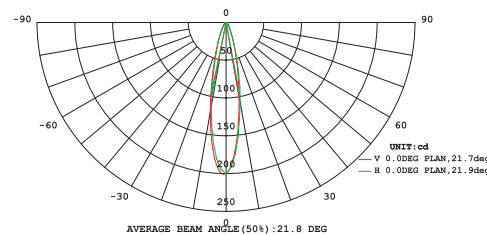
RGB



RED



GREEN



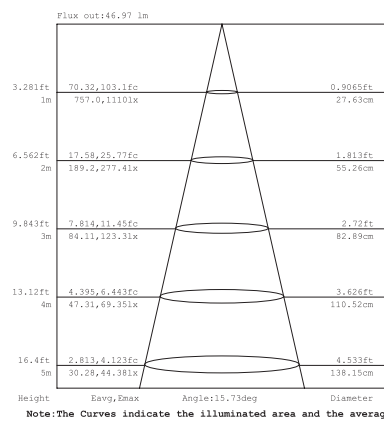
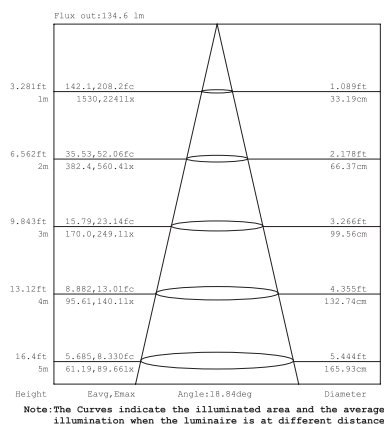
BLUE

LED SPOT LIGHT

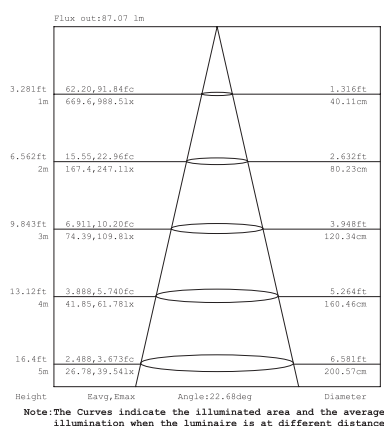
ITEM NO : SP-R40A/R100A/R120A Series

C-2. Illuminance at a distance

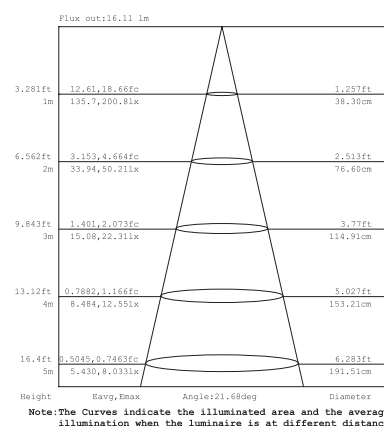
SP-R120A-18P-24V Angle: 25°



RGB



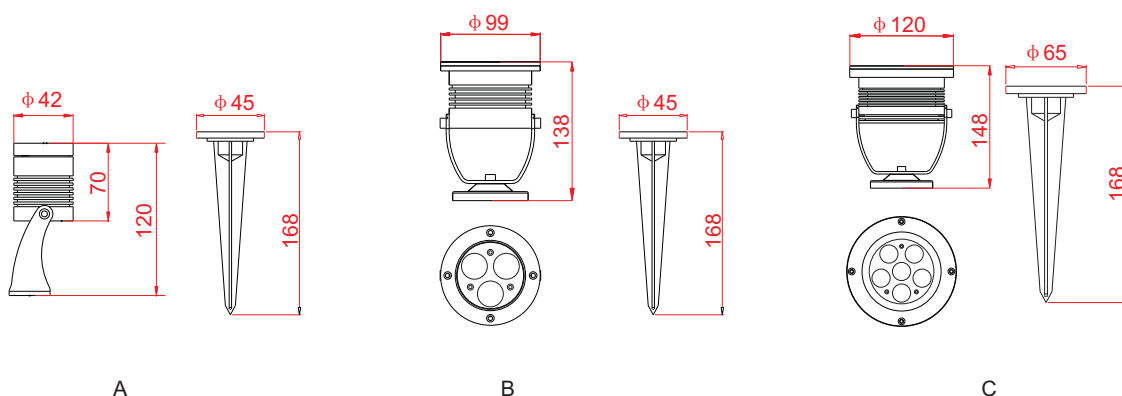
RED



GREEN

BLUE

D. Dimension Drawing

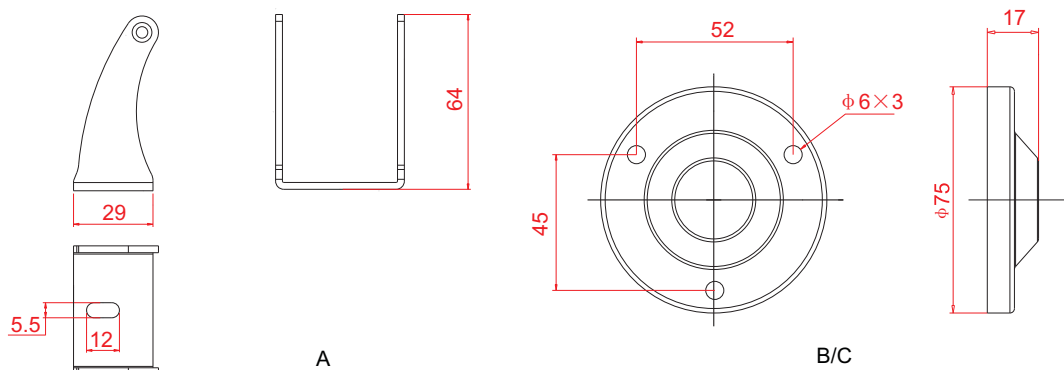


LED SPOT LIGHT

ITEM NO : SP-R40A/R100A/R120A Series

E. Installation Drawing

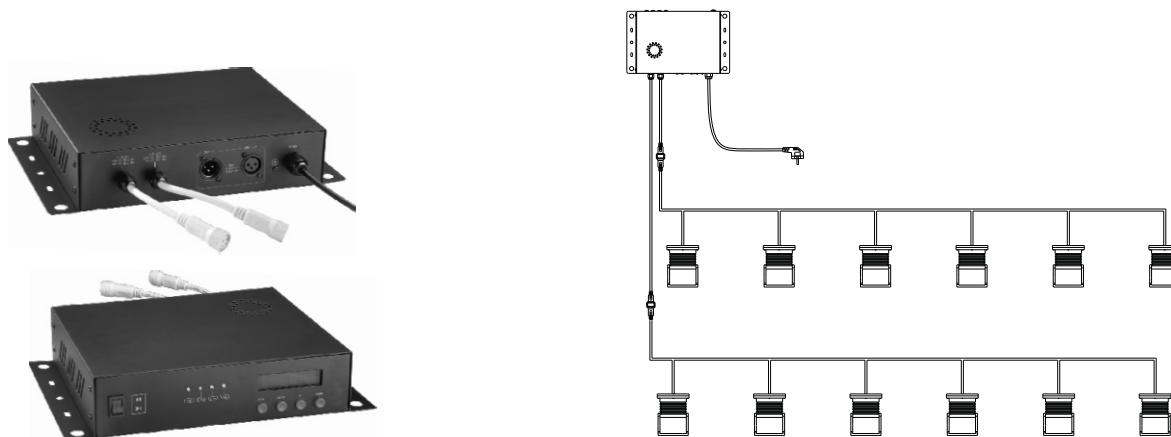
E-1. Fix the brackets via M5 tapping screw, mounting size as below:



E-2. Push the whole into the groud.

F. Connection

F-1 Connect with the controller (FOR CTR-RGB-12V/24V)



F-2 Connection (Optional Controller)



DMX-CV-Decoder



CTR-RGB-BOX-IP20

Caution:

1. Do not plug them into power when the product is still in package;
2. Don't use anything to cover the fixture during application;
3. Don't use this product in close environment;
4. If this product appears to be damaged, do not attempt any repair, please contact your dealer.

Warning:

- * Neglect on action of the above treatment will lead to failure of waterproof and proper working of the lights!!!
- * Make sure the ground connection well avoid electric shock, due to metal housing.