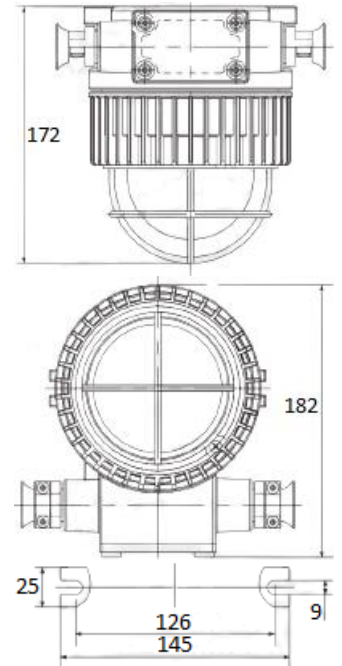
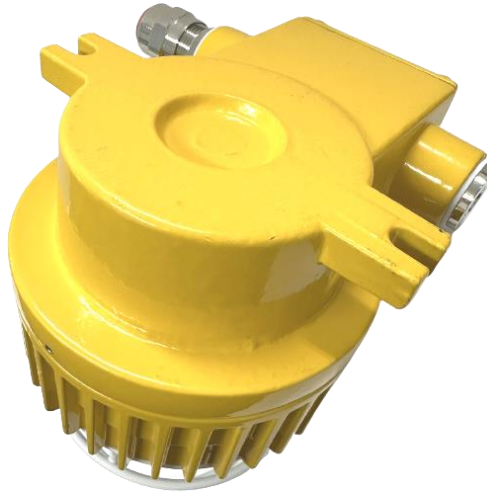


## Pendant Lights

### Oshima Pendant Lights (Explosion Proof and LED)



#### Available variants

Inventory code	792057/CFD11
Explosion-proof mark	Ex de IIC T6 Gb
Rated voltage	AC100–240V 50/60Hz DC24V
Power	9W
Power factor	> 0.9
Illuminant	LED
Illuminant color	White
Illuminant life	> 50000h
Illuminous flux	900lm
RA	Ra > 85
Color temperature	4000K–6500K
Protection class	IP66
Cable diameter	∅10~∅12
Installation	Wall type, ceiling type
Ambient temperature	-20°C~+45°C
Light body material	Aviation aluminum
Shade material	Toughened glass
Weight	2.7kg
Remarks	G3/4 pipe joint is optional

#### Usage purposes

The Oshima pendant lights (explosion proof and LED) are made to withstand harsh environments. Thus, they can be used safely and reliably in places with explosive air mixture, with explosive material II A, II B, II C, where the temperature group is T1–T6, for illumination in cabin and outdoor places.

#### Product features

- The shell is made of aviation grade aluminum.
- The lampshade is made of toughened glass, with stainless steel protective guard.
- The lamp body adopts seal structure with high waterproof and corrosion resistance.