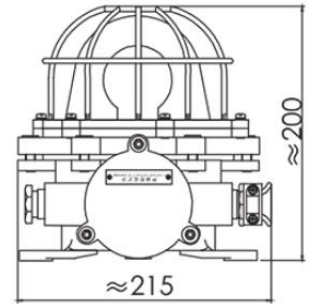
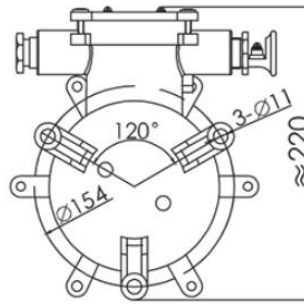
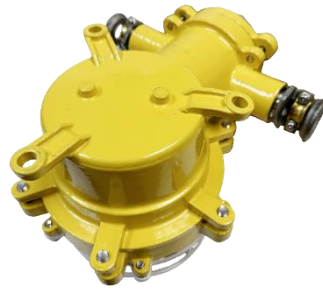
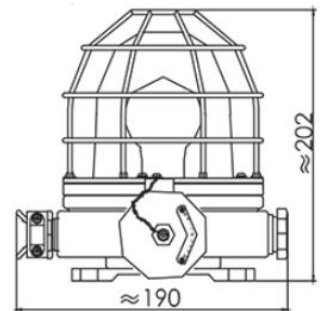
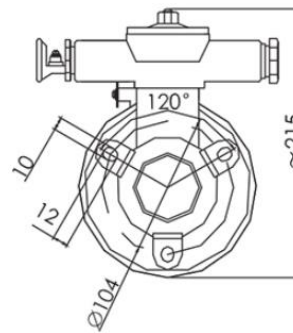


Pendant Lights

Oshima Pendant Lights (Explosion Proof)



792057/CFD3



792057/CFD5

Available variants

Inventory code	792057/CFD3	792057/CFD5
Voltage	24V	220V
Power	60W	60W
Lamp holder	E27	E27
Explosion proof mark	Ex d II CT4 Gb	Ex d II CT4 Gb
Protection class	IP66	IP56
Normal working temperature	-20°C~40°C	-20°C~40°C
Cable outside diameter	Ø9~Ø11	Ø10~Ø12
Weight	10.4kg	7kg

Usage purposes

The Oshima pendant lights (explosion proof) are made to withstand harsh environments. Thus, they are mainly used for illuminating an area of possible accumulation of explosive gas mixtures, explosive gas atmospheres II A, II B, II C, temperature class 220V/60W for T1~T4, 24V/60W for T1~T6 cabin or outdoor spaces.

Product features

- The shell is made of good quality cast brass.
- The lampshade is made of hard borax glass, with stainless steel protective guard.
- The lamp body adopts seal structure with high waterproof and corrosion resistance.

Product certifications

- This lamp has been inspected and certified by China National Lighting Fitting Quality Supervision Testing Center and National Supervision and Examination Center for Explosion Protected and Safety of Luminaire (NECESL).
- Approved by Type Approval of CCS (China Classification Society), Type Approval of BV (France Classification Society) and Type Approval of ZY (China Fishery Inspection Bureau).