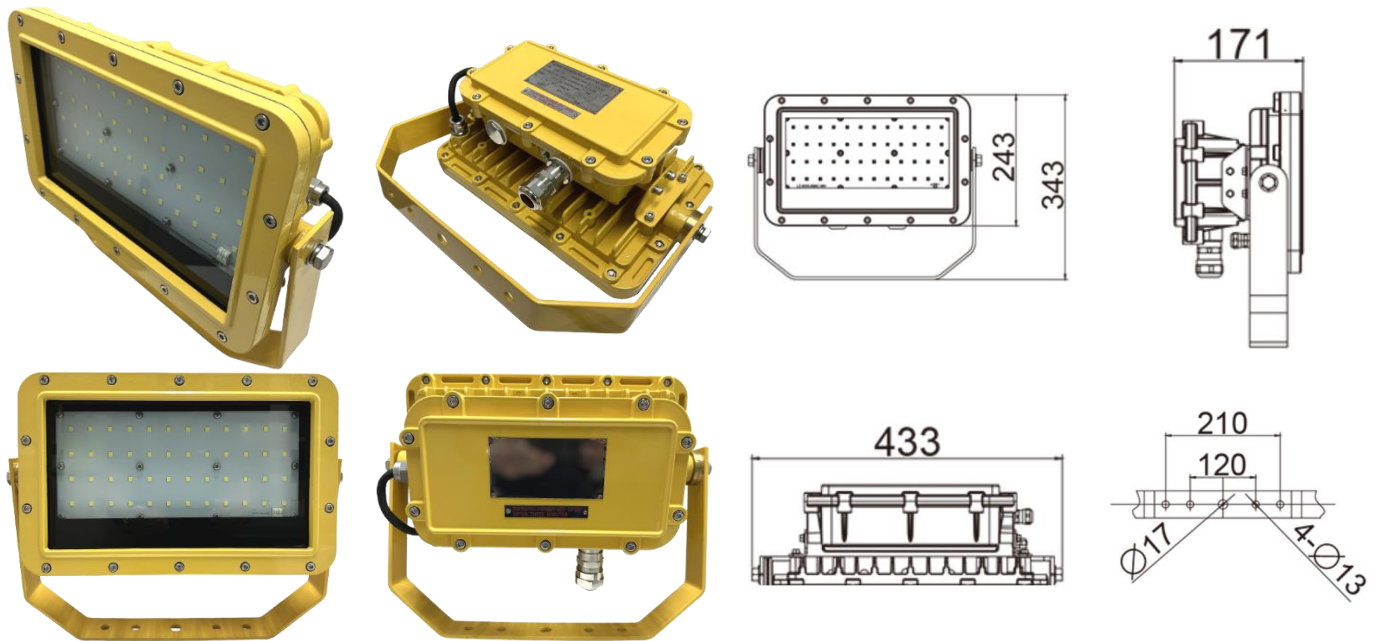


Oshima Explosion Proof LED Flood Light Fixtures



Available variants

Inventory code	791825/EXP	791827/EXP
Model	CFT3-100	CFT3-150
Voltage	100-240V 50Hz/60Hz	100-240V 50Hz/60Hz
Power	100W	150W
Ex Mark	Ex d IIB T6 Gb	Ex d IIB T6 Gb
Lamp source	LED	LED
Ta	-20°C ~ 45°C	-20°C ~ 45°C
Protection class	IP66	IP66
Weight	12.9kg	12.9kg

Product usages

The Oshima explosion proof LED flood light fixtures are commonly used on ships, oil exploit platform, chemical, and explosive gas atmospheres IIB, temperature class T1~T6 dangerous places zone 1, zone 2.

Product features

- The shell adopts good quality cast aluminum.
- The lamp shade is made of hard borax glass.
- The LED light source provides long service life, high light intensity, and low energy consumption.
- The lighting can be used in ambient temperature Ta -20°C~45°C.
- The cable outer diameter is $\phi 10\sim\phi 14\text{mm}$.
- The lighting can be installed on a horizontal rotating base plate. The horizontal rotation angle is approximately $\pm 180^\circ$ and the vertical rotation angle is approximately $\pm 45^\circ$.

Adoption standards

- GB3836.1-2010 (IEC60079-0: 2007, MOD)
- GB3836.2-2010 (IEC60079-1: 2007, MOD)