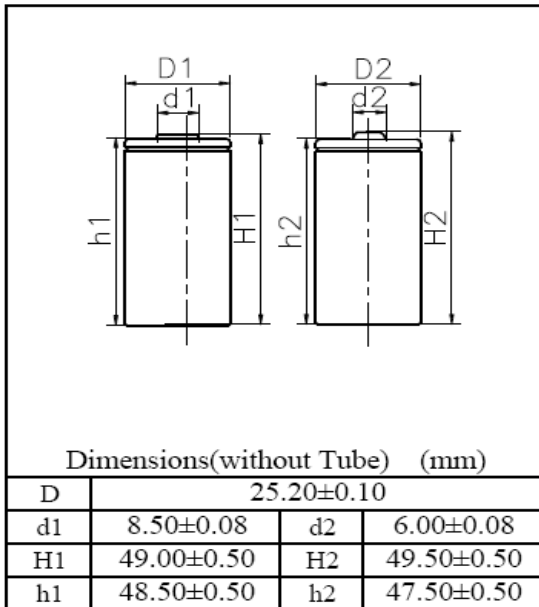


MODEL No. : M-C2500H

Description : 2500 mAh Size Ni-Cd C



**Specification**

Nominal Capacity		2500 mAh	
Nominal Voltage		1.2 V	
Charge current	Trickle	125 mA	
	Standard	250 mA	
Charge time	Trickle	48 Hrs~	
	Standard	14~16 Hrs	
Ambient Temperature	Charge	Trickle	0°C~70°C
		Standard	0°C~70°C
	Discharge		-20°C~70°C
	Storage		-20°C~60°C
Internal Impedance(mΩ) (After Charge)		≤ 12	
Weight		70 g	

