


# NPL1275 (VRLA AGM BATTERY)

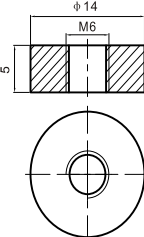
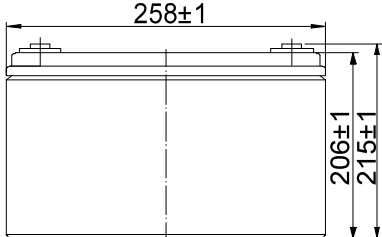
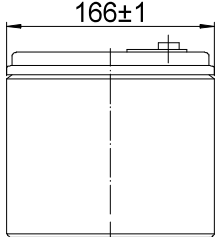
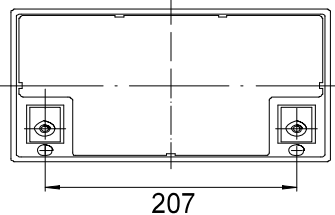
## 12V 75Ah



Neuton Power NPL series are designed with AGM (Absorbent Glass Mat) technology and for general-purpose applications, such as UPS, telecom, and electrical utilities. These batteries comply to most popular international standards, such as IEC60896-21/22, BS6290-4, Eurobat Guide. The battery container and cover are available both in V0 class flame retardant ABS or HBO ABS plastics too.

Neuton Power batteries meet the standards JIS, DIN, IEC60896-21/22 & BS6290-4. We have obtained ISO9001 & ISO14001 certification, UL approval (MH46127) and CE approval for all types of batteries. All these render our batteries to be compatible with requirements of world-level equipments.

Performance Characteristics		
<b>General Information</b>	Length	258mm (10.2 Inch)
	Width	166mm (6.54 Inch)
	Height	206mm (8.11 Inch)
	Total Height	215mm (8.46 Inch)
	Approx Weight	22.5 Kg
	Nominal Voltage	12 Volt
	Number of Cells	6
	Nominal Capacity (10 hour rate)	75 Ah
	Design float life expectancy under normal operation conditions at 25°C	10 Years
	Terminal	M6
	<b>Casing Material</b>	Standard (ABS)
Optional - V0 Class Flame Retardant (ABS)		
<b>Nominal Capacity 77°F (25°C)</b>	10 hour rate (7.50A, 10.8V)	75 Ah
	5 hour rate (13.5A, 10.5V)	67.5 Ah
	1 hour rate (50.2A, 9.6V)	50.2 Ah
<b>Internal Resistance</b>	Fully Charged Battery 77°F (25°C) ≤ 6.6 mOhms	
<b>Self Discharge</b>	3% of capacity declined per month at 20°C (average)	
<b>Operating Temperature Range</b>	Discharge	-20 ~ 60°C
	Charge	-10 ~ 60°C
	Storage	-20 ~ 60°C
<b>Max. Discharge 77°F (25°C)</b>	700A (5s)	
<b>Short Circuit Current</b>	1800A	
<b>Charge Methods</b>	Constant Voltage Charge 77°F (25°C)	
	Cycle use 2.40 - 2.45VPC	
	Standby use 2.20 - 2.30VPC	
	Temperature compensation -20mV/°C	
	Maximum charging current 22.5A	
<b>Battery Certification</b>	 MH46127 UL CERTIFIED - MH46127	

Outer Dimension			
<b>Terminal M6</b>			
			

\* The above characteristics data are average values obtained within three charge/discharge cycles not the minimum value. Neuton Power reserves the rights update the data information without prior notice.

Constant Current Discharge Data (Amperes at 25°C)								
F.V/Time	10Min	15Min	30Min	45Min	1Hr	3Hr	5Hr	10Hr
1.60V	178	137	81.8	61.7	50.2	21.8	14.3	7.67
1.65V	169	131	78.3	56.4	47.5	21.4	14.1	7.65
1.70V	158	122	77	55	46.9	21	13.9	7.6
1.75V	151	117	73.6	53.7	45.3	20.6	13.5	7.55
1.80V	139	112	73.1	53.3	43.4	19.8	13.3	7.5

Constant Power Discharge Data (Watts per cell at 25°C)								
F.V/Time	10Min	15Min	30Min	45Min	1Hr	2Hr	3Hr	5Hr
1.60V	314	246	158	120	95.7	54.1	40.2	26.8
1.65V	300	241	153	118	93.6	52.8	39.2	26.6
1.70V	290	237	145	111	89.8	51.6	38.9	26
1.75V	274	223	142	111	86.5	50.3	38.3	26
1.80V	261	212	141	106	84.2	49.6	38	25.8

