


# NPL1245 (VRLA AGM BATTERY)

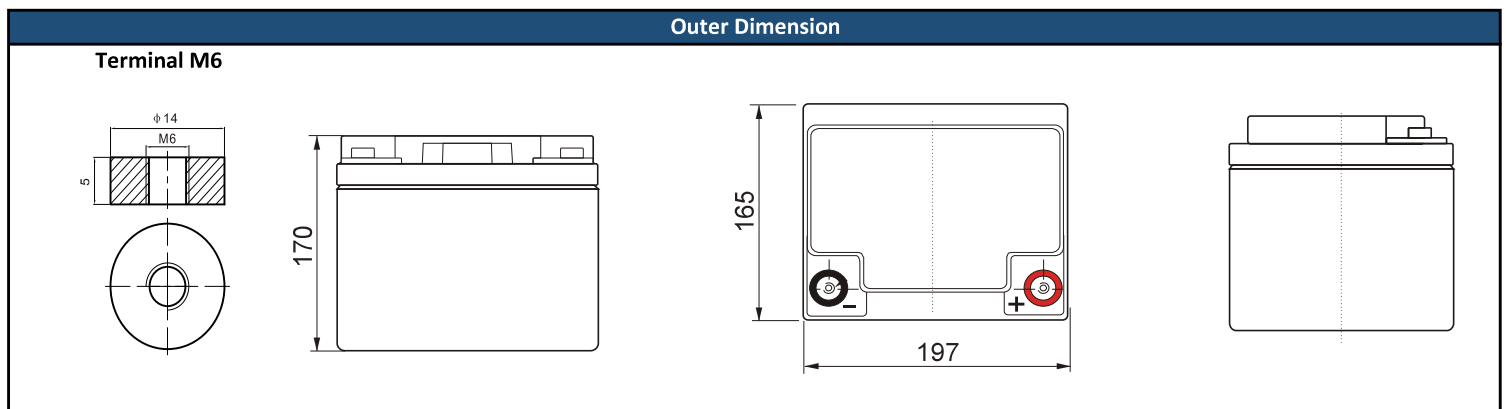
## 12V 45Ah



Neutron Power NPL series are designed with AGM (Absorbent Glass Mat) technology and for general-purpose applications, such as UPS, telecom, and electrical utilities. These batteries comply to most popular international standards, such as IEC60896-21/22, BS6290-4, Eurobat Guide. The battery container and cover are available both in V0 class flame retardant ABS or HBO ABS plastics too.

Neutron Power batteries meet the standards JIS, DIN, IEC60896-21/22 & BS6290-4. We have obtained ISO9001 & ISO14001 certification, UL approval (MH46127) and CE approval for all types of batteries. All these render our batteries to be compatible with requirements of world-level equipments.

Performance Characteristics		
<b>General Information</b>	Length	197mm (7.76 Inch)
	Width	165mm (6.50 Inch)
	Height	170mm (6.69 Inch)
	Total Height	170mm (6.69 Inch)
	Approx Weight	14.6 Kg
	Nominal Voltage	12 Volt
	Number of Cells	6
	Nominal Capacity (10 hour rate)	45 Ah
	Design float life expectancy under normal operation conditions at 25°C	10 Years
	Terminal	M6
	<b>Casing Material</b>	Standard (ABS)
Optional - V0 Class Flame Retardant (ABS)		
<b>Nominal Capacity 77°F (25°C)</b>	10 hour rate (4.50A, 10.8V)	45 Ah
	5 hour rate (7.38A, 10.5V)	36.9 Ah
	1 hour rate (28.0A, 9.60V)	28 Ah
<b>Internal Resistance</b>	Fully Charged Battery 77°F (25°C) ≤ 8 mOhms	
<b>Self Discharge</b>	3% of capacity declined per month at 20°C (average)	
<b>Operating Temperature Range</b>	Discharge	-20 ~ 60°C
	Charge	-10 ~ 60°C
	Storage	-20 ~ 60°C
<b>Max. Discharge 77°F (25°C)</b>	450A (5s)	
<b>Short Circuit Current</b>	1050A	
<b>Charge Methods</b>	Constant Voltage Charge 77°F (25°C)	
	Cycle use 2.40 - 2.45VPC	
	Standby use 2.20 - 2.30VPC	
	Temperature compensation -20mV/°C	
	Maximum charging current 13.5A	
<b>Battery Certification</b>	 MH46127 UL CERTIFIED - MH46127	



\* The above characteristics data are average values obtained within three charge/discharge cycles not the minimum value. Neutron Power reserves the rights update the data information without prior notice.

Constant Current Discharge Data (Amperes at 25°C)								
F.V/Time	10Min	15Min	30Min	45Min	1Hr	3Hr	5Hr	10Hr
1.60V	100	77.8	45.7	35	28	11.8	7.8	4.58
1.65V	95	74.3	45.5	34.4	27.6	11.6	7.66	4.54
1.70V	90	73	43.9	31.9	27.2	11.3	7.52	4.53
1.75V	85	69	39.9	31.2	26.9	11.1	7.38	4.51
1.80V	80	66	39	30.5	26.5	10.9	7.3	4.5

Constant Power Discharge Data (Watts per cell at 25°C)								
F.V/Time	10Min	15Min	30Min	45Min	1Hr	2Hr	3Hr	5Hr
1.60V	187	147	98.6	74.6	59.2	33.2	24.5	15.8
1.65V	174	140	86.9	67.6	54.8	30.8	22.8	14.8
1.70V	166	135	83.8	65.3	54	30.4	22.5	14.7
1.75V	156	127	81.8	64.1	53.1	30	22.3	14.5
1.80V	153	103	80	63	52.3	29.6	22	14.2

