

Module LLE 24mm 2000lm EXC

Modules LLE excite



LLE 24x280mm 2000lm EXC



LLE 24x560mm 4000lm EXC



For articles manufactured at Tridonic SRB d.o.o.

Product description

- _ Ideal for linear and panel lights in industrial applications
- _ Reliable, high lifetime solution and extended temperature range in combination with the INDUSTRY control gears
- _ Perfectly uniform light, even if several LED modules are used together in a line
- _ Push terminals for simple wiring
- _ Broad portfolio from extruded lenses and covers available
- _ HE ... High Efficiency, NM ... Nominal Mode, HO ... High Output
- _ Long lifetime
- _ 8 years guarantee (conditions at

<https://www.tridonic.com/manufacture-guarantee-conditions>)

Optical properties

- _ Colour temperatures 3,000, 4,000, 5,000 and 6,500 K
- _ Useful luminous flux 4,860 lm at Irated and tp = 25 °C
- _ Efficacy of the LED module 150 lm/W at Irated and tp = 25 °C
- _ High colour rendering index CRI > 80
- _ Small colour tolerance (MacAdam 3) ①

Mechanical properties

- _ Module dimension 24 x 280 mm and 24 x 560 mm (ZHAGA compliant)
- _ Simple installation via clips or screws

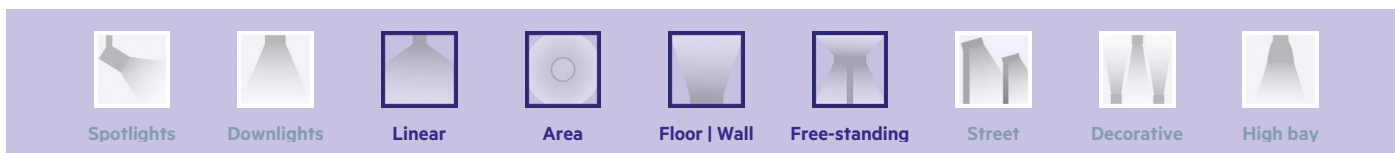
System solution

- _ LED system solution with outstanding system efficacy up to 131 lm/W

① Integral measurement over the complete module.

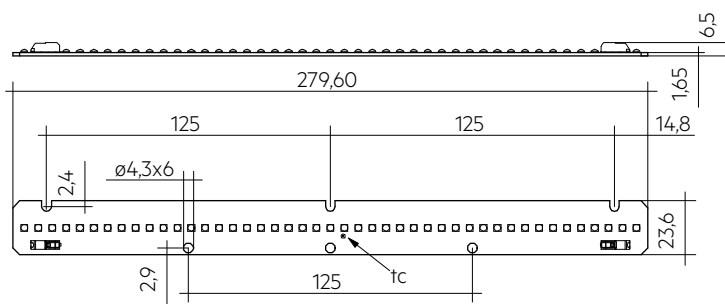
Website

<http://www.tridonic.com/89602077>

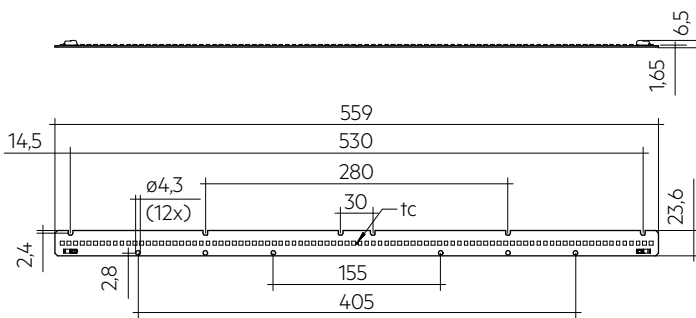


Module LLE 24mm 2000lm EXC

Modules LLE excite



LLE 24x280mm 2000lm EXC



LLE 24x560mm 4000lm EXC

Ordering data

Type	Article number	Colour temperature	Packaging, carton	Weight per pc.
LLE 24x280mm 2000lm 830 EXC	89602077	3,000 K	108 pc(s).	0.024 kg
LLE 24x280mm 2000lm 840 EXC	89602078	4,000 K	108 pc(s).	0.024 kg
LLE 24x280mm 2000lm 850 EXC	89602079	5,000 K	108 pc(s).	0.024 kg
LLE 24x280mm 2000lm 865 EXC	89602080	6,500 K	108 pc(s).	0.024 kg
LLE 24x560mm 4000lm 830 EXC	89603034	3,000 K	108 pc(s).	0.050 kg
LLE 24x560mm 4000lm 840 EXC	89603035	4,000 K	108 pc(s).	0.050 kg
LLE 24x560mm 4000lm 850 EXC	89603036	5,000 K	108 pc(s).	0.050 kg
LLE 24x560mm 4000lm 865 EXC	89603037	6,500 K	108 pc(s).	0.050 kg

Technical data

Beam characteristic	130°
Ambient temperature t_a	-40 ... +70 °C
t_p rated	65 °C
t_c	95 °C
I rated	500 mA
I max	550 mA
Max. permissible LF current ripple	950 mA
Max. permissible peak current	1,050 mA / max. 10 μ s
Max. working voltage for insulation [®]	300 V
Insulation test voltage	1.6 kV
CTI of the printed circuit board	\geq 600
ESD classification	Severity level 4
Risk group (IEC 62471)	RG1
Classification acc. to IEC 62031	Built-in
Type of protection	IPO0
Lumen maintenance L70B50	100,000 h
Guarantee (conditions at www.tridonic.com)	8 Year(s)

Approval marks**Standards**

IEC 62031, IEC 62471, IEC 62717, IEC 61000-4-2

Specific technical data

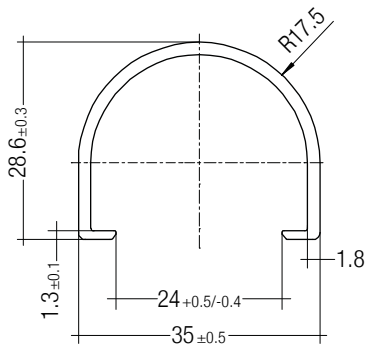
Type	Article number	Photometric code	Useful luminous flux at $t_p = 25$ °C ^③	Expected luminous flux at t_p rated ^④	Typ. forward current	Min. forward voltage at t_p rated	Max. forward voltage at $t_p = 25$ °C	Power consumption P_{on} at $t_p = 25$ °C ^⑤	Efficacy of the module at $t_p = 25$ °C	Expected efficacy of the module at t_p rated	Colour rendering index CRI
Operating mode HE											
LLE 24x280mm 2000lm 830 EXC	89602077	830/349	1,860 lm	1,739 lm	350 mA	42.0 V	49.5 V	15.9 W	117 lm/W	113 lm/W	> >80
LLE 24x280mm 2000lm 840 EXC	89602078	840/349	2,200 lm	2,090 lm	350 mA	42.0 V	49.5 V	15.9 W	138 lm/W	131 lm/W	> >80
LLE 24x280mm 2000lm 850 EXC	89602079	850/349	2,080 lm	1,969 lm	350 mA	42.0 V	49.5 V	15.9 W	131 lm/W	124 lm/W	> >80
LLE 24x280mm 2000lm 865 EXC	89602080	865/459	2,200 lm	2,082 lm	350 mA	42.0 V	49.5 V	15.9 W	138 lm/W	131 lm/W	> >80
LLE 24x560mm 4000lm 830 EXC	89603034	830/349	4,600 lm	4,300 lm	350 mA	84.0 V	99.0 V	32.4 W	142 lm/W	137 lm/W	> >80
LLE 24x560mm 4000lm 840 EXC	89603035	840/349	4,800 lm	4,560 lm	350 mA	84.0 V	99.0 V	32.4 W	148 lm/W	140 lm/W	> >80
LLE 24x560mm 4000lm 850 EXC	89603036	850/349	4,715 lm	4,463 lm	350 mA	84.0 V	99.0 V	32.4 W	146 lm/W	138 lm/W	> >80
LLE 24x560mm 4000lm 865 EXC	89603037	865/349	4,860 lm	4,600 lm	350 mA	84.0 V	99.0 V	32.4 W	150 lm/W	142 lm/W	> >80
Operating mode HO											
LLE 24x280mm 2000lm 830 EXC	89602077	830/349	-	2,345 lm	500 mA	44.5 V	51.8 V	-	-	100 lm/W	> >80
LLE 24x280mm 2000lm 840 EXC	89602078	840/349	-	2,805 lm	500 mA	44.5 V	51.8 V	-	-	118 lm/W	> >80
LLE 24x280mm 2000lm 850 EXC	89602079	850/349	-	2,653 lm	500 mA	44.5 V	51.8 V	-	-	111 lm/W	> >80
LLE 24x280mm 2000lm 865 EXC	89602080	865/549	-	2,807 lm	500 mA	44.5 V	51.8 V	-	-	118 lm/W	> >80
LLE 24x560mm 4000lm 830 EXC	89603034	830/349	-	5,800 lm	500 mA	89.0 V	103.6 V	-	-	121 lm/W	> >80
LLE 24x560mm 4000lm 840 EXC	89603035	840/349	-	6,120 lm	500 mA	89.0 V	103.6 V	-	-	126 lm/W	> >80
LLE 24x560mm 4000lm 850 EXC	89603036	850/349	-	6,015 lm	500 mA	89.0 V	103.6 V	-	-	124 lm/W	> >80
LLE 24x560mm 4000lm 865 EXC	89603037	865/349	-	6,200 lm	500 mA	89.0 V	103.6 V	-	-	128 lm/W	> >80

② If mounted with M4 screws and plastic washers.

③ Tolerance of useful light flux - 0 % / + 15 %. Measurement uncertainty \pm 10 %.④ Tolerance of expected light flux - 0 % / + 15 %. Measurement uncertainty \pm 10 %. Based on calculation.⑤ Tolerance of power consumption P_{on} \pm 10 %. Measurement uncertainty \pm 5 %.

LINEAR COVER LLE

Accessory



Product description

- _ LINEAR COVER for LLE
- _ Protection against direct touch for non-SELV applications (recommendation LLE 20: use all fixing points and screwed Endcap, recommendation LLE 24: use all fixing points)
- _ Fast snap on mounting on to LLE 20: with M4 screws and plastic washers, to LLE 24: with clips or plastic washers
- _ High transmission: transparent, semi-transparent and diffuse
- _ Material: PMMA
- _ Tolerances: ± 1 mm for 597 mm length (ends finished), + 10 mm from length 1,150 mm (ends raw)

Website

<http://www.tridonic.com/28000338>

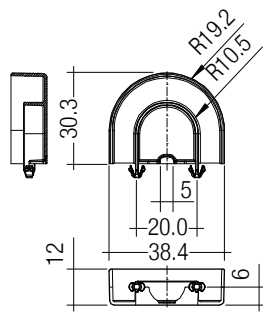


Ordering data

Type	Article number	Colour	Length L	Efficiency	Packaging, carton	Weight per pc.
LINEAR COVER SY Transparent 1600mm	28000338	Transparent	1,600 mm	94 %	12 pc(s).	0.272 kg
LINEAR COVER SY Frosted 1800mm	28000437	Semi-transparent	1,800 mm	87 %	12 pc(s).	0.308 kg
LINEAR COVER SY Frosted 1600mm	28000339	Semi-transparent	1,600 mm	87 %	12 pc(s).	0.272 kg
LINEAR COVER SY Frosted 1500mm	28000435	Semi-transparent	1,500 mm	87 %	12 pc(s).	0.244 kg
LINEAR COVER SY Frosted 1200mm	28000422	Semi-transparent	1,200 mm	87 %	12 pc(s).	0.205 kg
LINEAR COVER SY Frosted 597mm	28000340	Semi-transparent	597 mm	87 %	12 pc(s).	0.102 kg
LINEAR COVER SY Diffuse 1800mm	28000438	Diffuse	1,800 mm	76 %	12 pc(s).	0.308 kg
LINEAR COVER SY Diffuse 1600mm	28000341	Diffuse	1,600 mm	76 %	12 pc(s).	0.272 kg
LINEAR COVER SY Diffuse 1500mm	28000436	Diffuse	1,500 mm	76 %	12 pc(s).	0.257 kg
LINEAR COVER SY Diffuse 1200mm	28000434	Diffuse	1,200 mm	76 %	12 pc(s).	0.205 kg
LINEAR COVER SY Diffuse 597mm	28000342	Diffuse	597 mm	76 %	12 pc(s).	0.102 kg

ACL ENDCAP LLE

Accessory

**Product description**

- _ ENDCAP for LLE
- _ PUSH-FIX: Fast snap on mounting (sheet thickness 0.5 – 1.0 mm), for drilling hole 4 mm
- _ SCREW-FIX: Screw mounting with EJOT Delta PT WN 5451 30x8 (not included), tightening torque 0.7 Nm
- _ Clip made of polycarbonate

Website

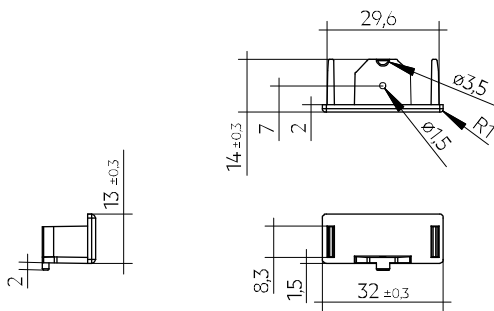
<http://www.tridonic.com/28001037>

**Ordering data**

Type	Article number	Colour	Packaging, carton	Weight per pc.
ACL ENDCAP LLE24 PUSH-FIX	28001037	White	480 pc(s).	0.003 kg
ACL ENDCAP LLE24 SCREW-FIX	28002315	White	480 pc(s).	0.003 kg

ACL LINEAR LENS 24mm

Accessory

**Product description LINEAR LENS**

- _ Linear lens for LLE 20 / 24
- _ Available with different beam characteristics
- _ Protection against direct touch for non-SELV applications (recommendation: use all fixing points)
- _ Fast snap on mounting on to LLE 20: with M4 screws and plastic washers, to LLE 24: with clips or plastic washers
- _ Recommendation: Fastening with screws and plastic washers, see 2.3 Heat sink specifications in data sheet
- _ Material: PMMA
- _ Available lengths: 1,200, 1,500 and 1,800 mm, Tolerance: + 10 mm (ends raw)
- _ Max. permissible temperature 80 °C
- _ Photometric data available on website

Product description Endcap

- _ ENDCAP for LINEAR LENS 24mm INTENSE, ASY and DASY
- _ Mounting by clipping in and screwing from below using screw EJOT Delta PT WN 5451 20x4, tightening torque 0.7 Nm
- _ Made of Polyamide UL94 V0

Website

<http://www.tridonic.com/28001428>

**Ordering data**

Type	Article number	Length L	Beam characteristic	Efficiency	Packaging, carton	Weight per pc.
ACL LINEAR LENS 24x1200mm 60°	28001428	1,200 mm	60°	97 %	21 pc(s).	0.196 kg
ACL LINEAR LENS 24x1200mm 90°	28001429	1,200 mm	90°	97 %	21 pc(s).	0.165 kg
ACL LINEAR LENS 24x1500mm 60°	28000953	1,500 mm	60°	97 %	21 pc(s).	0.261 kg
ACL LINEAR LENS 24x1500mm 90°	28000955	1,500 mm	90°	97 %	21 pc(s).	0.221 kg
ACL LINEAR LENS 24x1200mm INTENSE	28002024	1,200 mm	40°	95 %	18 pc(s).	0.261 kg
ACL LINEAR LENS 24x1500mm INTENSE	28002025	1,500 mm	40°	95 %	18 pc(s).	0.326 kg
ACL LINEAR LENS 24x1800mm INTENSE	28002026	1,800 mm	40°	95 %	18 pc(s).	0.392 kg
ACL LINEAR LENS 24x1200mm BATWING	28002027	1,200 mm	batwing	95 %	18 pc(s).	0.275 kg
ACL LINEAR LENS 24x1500mm BATWING	28002028	1,500 mm	batwing	95 %	18 pc(s).	0.344 kg
ACL LINEAR LENS 24x1800mm BATWING	28002029	1,800 mm	batwing	95 %	18 pc(s).	0.412 kg
ACL LINEAR LENS 24x1200mm ASY	28002030	1,200 mm	asymmetric	95 %	18 pc(s).	0.250 kg
ACL LINEAR LENS 24x1500mm ASY	28002031	1,500 mm	asymmetric	95 %	18 pc(s).	0.312 kg
ACL LINEAR LENS 24x1800mm ASY	28002032	1,800 mm	asymmetric	95 %	18 pc(s).	0.375 kg
ACL LINEAR LENS 24x1200mm DASY	28002033	1,200 mm	double asymmetric	92 %	18 pc(s).	0.249 kg
ACL LINEAR LENS 24x1500mm DASY	28002034	1,500 mm	double asymmetric	92 %	18 pc(s).	0.311 kg
ACL LINEAR LENS 24x1800mm DASY	28002035	1,800 mm	double asymmetric	92 %	18 pc(s).	0.373 kg
ACL Endcap LENS 24mm PSF	28002669	-	-	-	3,600 pc(s).	0.003 kg

ACL CLIP 4.3mm

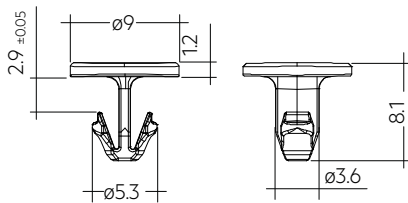
Accessory



Product description

- _ Clip for fixation of LED modules with 4.3 mm holes
- _ Fast snap on mounting (sheet thickness 0.5 – 1.0 mm for PUSH-FIX and 1 – 2 mm for PUSH-FIX Long)
- _ For drilling hole 4 mm
- _ Clip made of polycarbonate
- _ Minimum sales quantity 500 pcs.

Website

<http://www.tridonic.com/28001036>


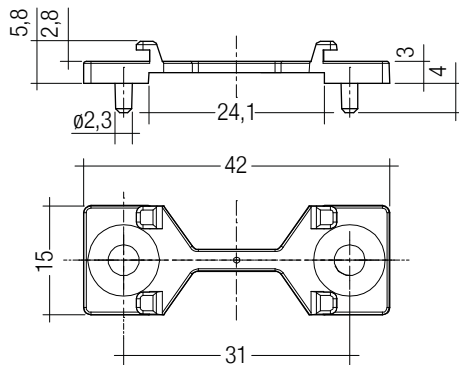
Ordering data

Type	Article number	Colour	Packaging, bag ^①	Weight per pc.
ACL CLIP 4.3mm PUSH-FIX	28001036	White	500 pc(s).	0.001 kg
ACL CLIP 4,3mm PUSH-FIX Long	28002314	Transparent	500 pc(s).	0.001 kg

① Minimum sales quantity 500 pcs.

ACL BRIDGE LLE24/40

Accessory

**Product description**

- _ Enables the fixation of 24 mm wide Tridonic LED modules to fixtures made for 40 mm wide modules
- _ Ideal for extruded aluminium gear trays made for 40 mm modules with pre-alignment knobs
- _ Clip-on for LINEAR COVER and LINEAR LENS ^①
- _ For LLE 24 with 280 mm module minimum 2 bridges required
- _ For LLE 24 with 560 mm module minimum 3 bridges required
- _ Fixation via M3 or M4 countersunk screw, max. tightening torque 0.5 Nm
- _ BRIDGE made of white polycarbonate
- _ Minimum sales quantity 600 pcs.

^① Beam characteristics will change due to the elevated fixation (see photometric files for details).

Website

<http://www.tridonic.com/28001205>

**Ordering data**

Type	Article number	Colour	Packaging, carton	Weight per pc.
ACL BRIDGE LLE24/40 SCREW-FIX	28001205	White	600 pc(s).	0.001 kg

1. Standards

IEC 62031
IEC 62471
IEC 62778
IEC 61000-4-2

1.1 Photometric code

Key for photometric code, e. g. 830 / 349

1 st digit	2 nd + 3 rd digit	4 th digit	5 th digit	6 th digit	
Code	CRI	Colour temperature in Kelvin x 100	MacAdam initial	MacAdam after 25% of the lifetime (max.6000h)	
7	70 – 79			Code	Luminous flux
8	80 – 89			7	≥ 70 %
9	≥90			8	≥ 80 %
			9	≥ 90 %	

1.2 Energy classification

Type	Colour temperature	Forward current	Energy classification	Energy consumption
LLE 24x280mm 2000lm				
LLE 24x280mm 2000lm 830 EXC	3,000 K	350 mA	F	16 kWh / 1,000 h
LLE 24x280mm 2000lm 840 EXC	4,000 K	350 mA	E	16 kWh / 1,000 h
LLE 24x280mm 2000lm 850 EXC	5,000 K	350 mA	E	16 kWh / 1,000 h
LLE 24x280mm 2000lm 865 EXC	6,500 K	350 mA	E	16 kWh / 1,000 h
LLE 24x560mm 4000lm				
LLE 24x560mm 4000lm 830 EXC	3,000 K	350 mA	E	33 kWh / 1,000 h
LLE 24x560mm 4000lm 840 EXC	4,000 K	350 mA	D	33 kWh / 1,000 h
LLE 24x560mm 4000lm 850 EXC	5,000 K	350 mA	E	33 kWh / 1,000 h
LLE 24x560mm 4000lm 865 EXC	6,500 K	350 mA	D	33 kWh / 1,000 h

Energy label and further information at www.tridonic.com in the certificates tab of the corresponding product page and at the EPREL data base <https://eprel.ec.europa.eu/>

2. Thermal details

2.1 tc point, ambient temperature and lifetime

The temperature at tp reference point is crucial for the light output and lifetime of a LED product.

For LLE a tp temperature of 65 °C has to be complied in order to achieve an optimum between heat sink requirements, light output and lifetime.

Compliance with the maximum permissible reference temperature at the tc point must be checked under operating conditions in a thermally stable state. The maximum value must be determined under worst-case conditions for the relevant application.

The tc and tp temperature of LED modules from Tridonic are measured at the same reference point.

Temperatures of up to approx. 200 °C can occur locally on the LED module. Safe operation must be ensured by appropriate selection of materials and luminaire construction.

2.2 Storage and humidity

Storage temperature	-30 ... +80 °C
---------------------	----------------

Operation only in non condensing environment.
Humidity during processing of the module should be between 0 to 70 %.

2.3 Thermal design and heat sink

The rated life of LED products depends to a large extent on the temperature. If the permissible temperature limits are exceeded, the life of the LLE will be greatly reduced or the LLE may be destroyed.

2.4 Heat sink values

LLE 24x280mm 2000lm

ta	tp	Forward current	Rth, hs-a	Cooling area
25 °C	85 °C	350 mA	3.71 K/W	112 cm ²
25 °C	85 °C	500 mA	5.93 K/W	180 cm ²
35 °C	85 °C	350 mA	3.09 K/W	135 cm ²
35 °C	85 °C	500 mA	4.95 K/W	216 cm ²
45 °C	85 °C	350 mA	2.46 K/W	169 cm ²
45 °C	85 °C	500 mA	3.95 K/W	271 cm ²
55 °C	85 °C	350 mA	1.88 K/W	227 cm ²
55 °C	85 °C	500 mA	2.93 K/W	356 cm ²
65 °C	85 °C	350 mA	1.25 K/W	346 cm ²
65 °C	85 °C	500 mA	2.93 K/W	535 cm ²
75 °C	85 °C	350 mA	0.62 K/W	718 cm ²
75 °C	85 °C	500 mA	1.93 K/W	1,077 cm ²

LLE 24x560mm 4000lm

ta	tp	Forward current	Rth, hs-a	Cooling area
25 °C	85 °C	350 mA	1.85 K/W	224 cm ²
25 °C	85 °C	500 mA	2.96 K/W	360 cm ²
35 °C	85 °C	350 mA	1.54 K/W	270 cm ²
35 °C	85 °C	500 mA	2.47 K/W	432 cm ²
45 °C	85 °C	350 mA	1.23 K/W	338 cm ²
45 °C	85 °C	500 mA	1.97 K/W	542 cm ²
55 °C	85 °C	350 mA	0.94 K/W	554 cm ²
55 °C	85 °C	500 mA	1.46 K/W	712 cm ²
65 °C	85 °C	350 mA	0.62 K/W	692 cm ²
65 °C	85 °C	500 mA	1.46 K/W	1,070 cm ²
75 °C	85 °C	350 mA	0.31 K/W	1,436 cm ²
75 °C	85 °C	500 mA	0.96 K/W	2,154 cm ²

Notes

The actual cooling surface can differ because of the material, the structural shape, outside influences and the installation situation. Depending on the heat sink a heat conducting paste or heat conducting film might be necessary to keep the specified tp temperature.

3. Installation / wiring

3.1 Electrical supply/choice of LED driver

LLE modules from Tridonic are not protected against overvoltages, overcurrents, overloads or short-circuit currents. Safe and reliable operation can only be guaranteed in conjunction with a LED driver which complies with the relevant standards. The use of LED driver from Tridonic in combination with LLE modules guarantees the necessary protection for safe and reliable operation.

If a LED driver other than Tridonic is used, it must provide the following protection:

- Short-circuit protection
- Overload protection
- Overtemperature protection



LLE module must be supplied by a constant current LED driver. Operation with a constant voltage LED driver will lead to an irreversible damage of the module.

Wrong polarity can damage the LLE.

If LLE 24x280mm modules are wired in parallel and a wire breaks or a complete module fails then the current passing through the other module increases and the thermal load too. This may reduce its life considerably. In addition there can be slight differences in light output caused by tolerances.

The LLE 24x560mm module is designed for serial wiring. Parallel wiring is not permitted.

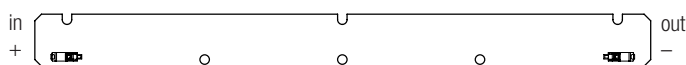
LLE modules can be operated either from SELV LED drivers or from LED drivers with LV output voltage.



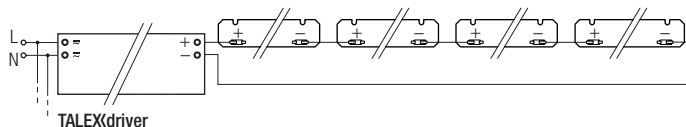
LLE are basic insulated up to 300 V (if mounted with M4 screws in combination with plastic washers) against ground and can be mounted directly on earthed metal parts of the luminaire. If the max. output voltage of the LED driver (also against earth) is above 300 V, an additional insulation between LED module and heat sink is required (for example by insulated thermal pads) or by a suitable luminaire construction.

At voltages > 60 V an additional protection against direct touch (test finger) to the light emitting side of the module has to be guaranteed. This is typically achieved by means of a non removable light distributor over the module.

3.2 Wiring



Wiring examples

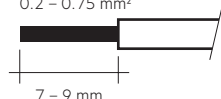


3.3 Wiring type and cross section

For wiring use solid wire from 0.2 to 0.75 mm².

For the push-wire connection you have to strip the insulation (7–9 mm).

wire preparation:
0.2 – 0.75 mm²



Inserting stranded wires / removing wires by lightly pressing on the push button.

3.4 Mounting instruction



None of the components of the LLE (substrate, LED, electronic components etc.) may be exposed to tensile or compressive stresses.

Max. torque for fixing: 0.5 Nm.

The LED modules are mounted onto a heat sink with min. 4 screws per module. In order not to damage the modules only rounded head screws and an additional plastic flat washer should be used.

LED modules must lie flat on the mounting surface.



Chemical substance may harm the LED module. Chemical reactions could lead to colour shift, reduced luminous flux or a total failure of the module caused by corrosion of electrical connections.

Materials which are used in LED applications (e.g. sealings, adhesives) must not produce dissolver gas. They must not be condensation curing based, acetate curing based or contain sulfur, chlorine or phthalate.

Avoid corrosive atmosphere during usage and storage.

3.5 EOS/ESD safety guidelines



The device / module contains components that are sensitive to electrostatic discharge and may only be installed in the factory and on site if appropriate EOS/ESD protection measures have been taken. No special measures need be taken for devices/modules with enclosed casings (contact with the pc board not possible), just normal installation practice. Please note the requirements set out in the document EOS / ESD guidelines (Guideline_EOS_ESD.pdf) at: <http://www.tridonic.com/esd-protection>

4. Lifetime

4.1 Lifetime, lumen maintenance and failure rate

The light output of an LED module decreases over the lifetime, this is characterized with the L value.

L70 means that the LED module will give 70 % of its initial luminous flux. This value is always related to the number of operation hours and therefore defines the lifetime of an LED module.

As the L value is a statistical value and the lumen maintenance may vary over the delivered LED modules.

The B value defines the amount of modules which are below the specific L value, e.g. L70B10 means 10 % of the LED modules are below 70 % of the initial luminous flux, respectively 90 % will be above 70 % of the initial value. In addition the percentage of failed modules (fatal failure) is characterized by the C value.

The F value is the combination of the B and C value. That means for F degradation and complete failures are considered, e.g. L70F10 means 10 % of the LED modules may fail or be below 70 % of the initial luminous flux.

4.2 Lumen maintenance for LLE 24mm EXC

Forward current	tp temperature	L90 / F10	L90 / F50	L80 / F10	L80 / F50	L70 / F10	L70 / F50
350 mA	65 °C	64,500 h	65,500 h	>100,000 h	>100,000 h	>100,000 h	>100,000 h
350 mA	85 °C	61,000 h	62,000 h	>100,000 h	>100,000 h	>100,000 h	>100,000 h
500 mA	65 °C	52,500 h	53,500 h	>100,000 h	>100,000 h	>100,000 h	>100,000 h
500 mA	85 °C	46,000 h	47,000 h	>100,000 h	>100,000 h	>100,000 h	>100,000 h

4.3 Switching capability

50,000 cycles

Tested according to IEC 62717 Cl 10.3.3

30 s on / 30 s off at I_{max}

5. Electrical values

5.1 Declaration of electrical parameters

I_{rated} ... Nominal operating current the module is designed for.

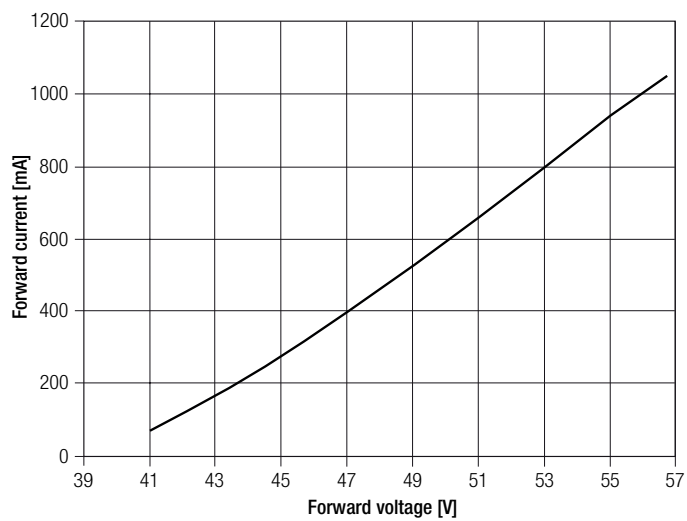
I_{max} ... Max. permissible continuous operating current incl. The tolerances of the LED driver.

Max. permissible LF current ripple ... Max. output current of the LED driver incl. Tolerances and LF current ripple must not exceed this value.

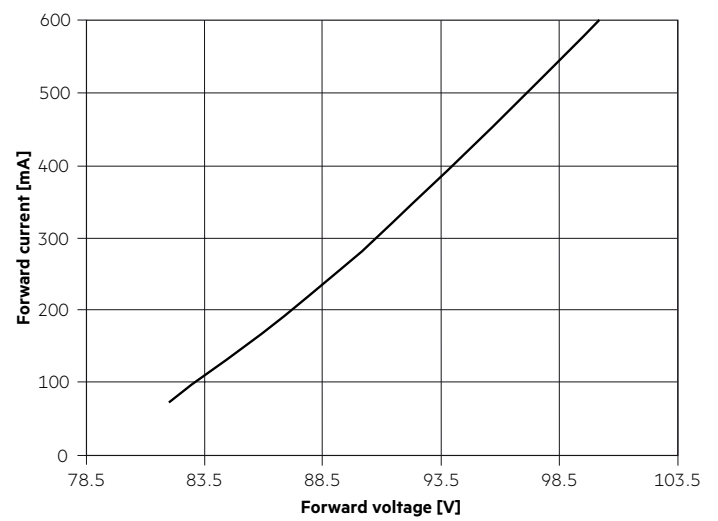
Max. permissible peak current ... The max. output peak current of the LED driver must not exceed this value.

5.2 Typ. forward voltage vs. forward current

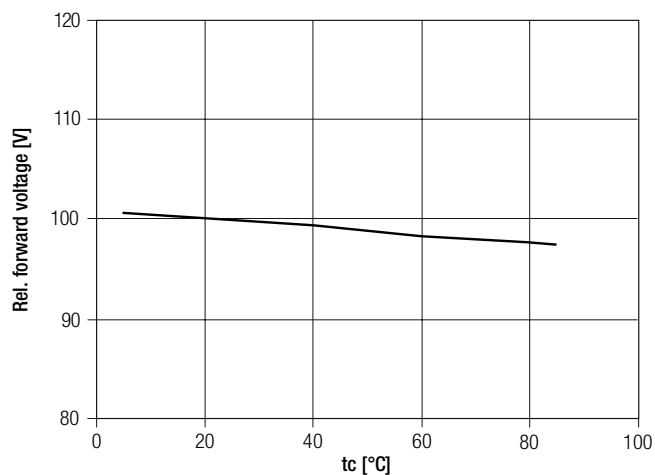
LLE 24x280mm 2000lm 8xx EXC



LLE 24x560mm 4000lm 8xx EXC



5.3 Forward voltage vs. t_c temperature



The diagrams are based on statistic values.
The real values can be different.

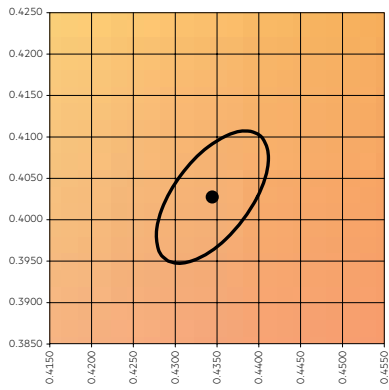
6. Photometric characteristics

6.1 Coordinates and tolerances according to CIE 1931

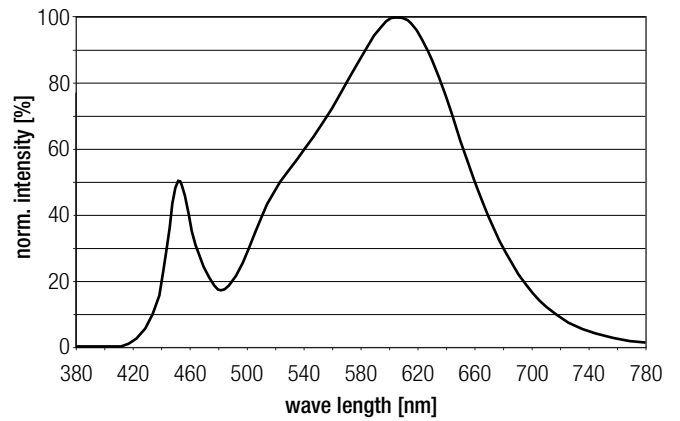
The specified colour coordinates are integral measured by a current impulse with typical values of module and a duration of 100 ms.
 The ambient temperature of the measurement is $t_a = 25^\circ\text{C}$.
 The measurement tolerance of the colour coordinates are ± 0.01 .

3,000 K

	x0	y0
Centre	0.4342	0.4028

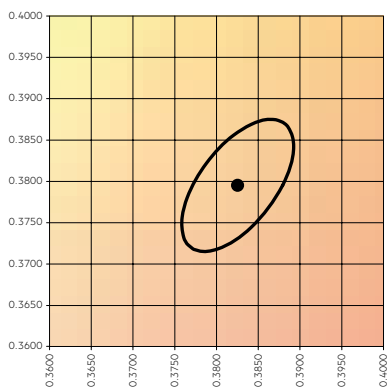


MacAdam Ellipse: 3SDCM

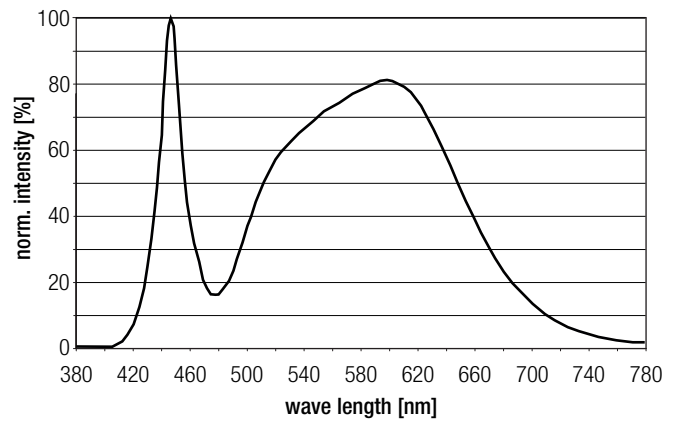


4,000 K

	x0	y0
Centre	0.3825	0.3798

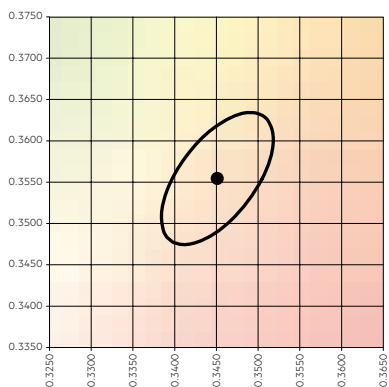


MacAdam Ellipse: 3SDCM

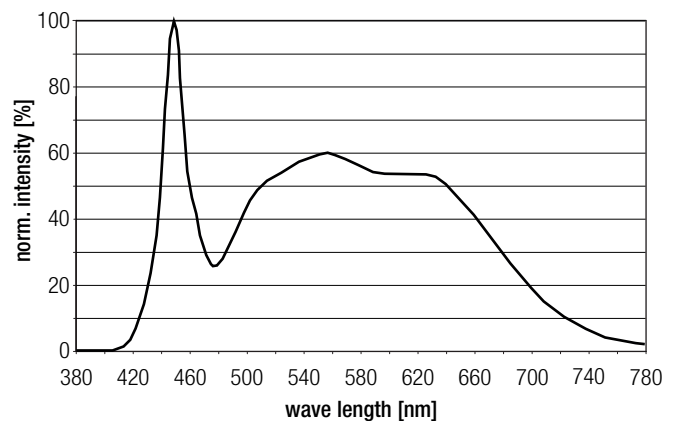


5,000 K

	x0	y0
Centre	0.3451	0.3554

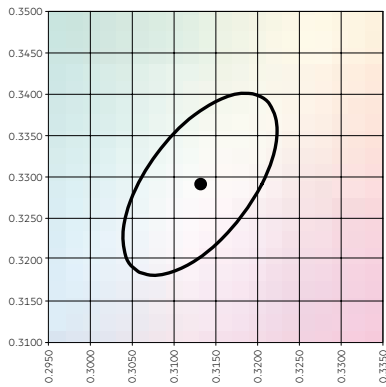


MacAdam Ellipse: 3SDCM

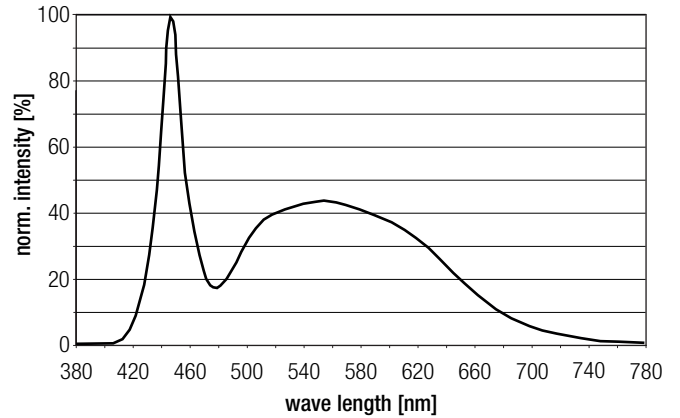


6,500 K

	x0	y0
Centre	0.3130	0.3290

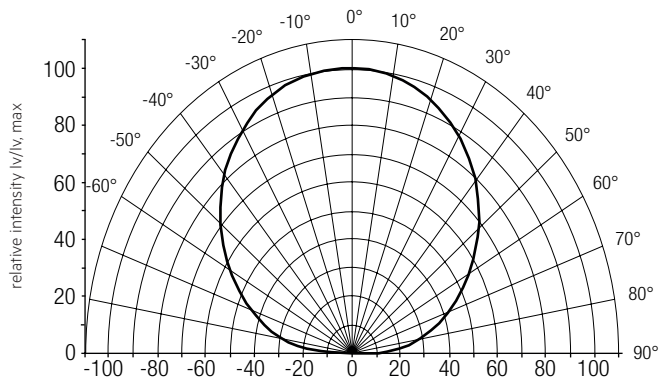


MacAdam Ellipse: 3SDCM



6.2 Light distribution

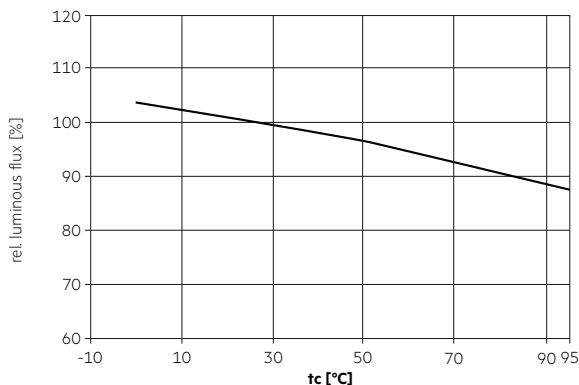
The optical design of the LLE product line ensures optimum homogeneity for the light distribution.



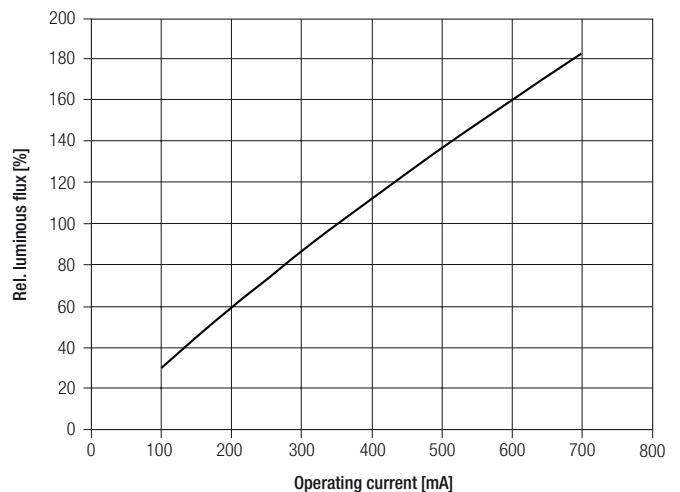
The colour temperature is measured integral over the complete module. The single LED light points can have deviations in the colour coordinates within MacAdam 7.

To ensure an ideal mixture of colours and a homogeneous light distribution a suitable optic (e. g. PMMA diffuser) and a sufficient spacing between module and optic (typ. 4 cm) should be used.

6.3 Relative luminous flux vs. tc temperature



6.4 Relative luminous flux vs. operating current



The diagrams are based on statistic values. The real values can be different.

7. Miscellaneous

7.1 Additional information

Additional technical information at www.tridonic.com → Technical Data

Guarantee conditions at www.tridonic.com → Services

Lifetime declarations are informative and represent no warranty claim.