

LED T5 Batten

July 02, 2021

Product Overview

LED T5 Batten is a kind of integrated high quality T5 batten light, using ultra bright SMD LED as light source, with built-in high efficiency constant current driver power supply. With the characteristic of energy-saving and long lifespan. This tube series with switch function. It is highly needed in the places which require lights with specific dimensions, for example, supermarket showcases, window display lighting etc.



Features

The overall appearance of LED T5 Batten adopts linear design, simple, generous, fashionable and compact. It integrated a cascading lamp base, no need for other accessories, making the lamp tube cascade more convenient and elegant. The seamless joint design makes cascading without shadow and the external button design makes installation more convenient.

It comes with a high efficiency power supply design which is energy saving and efficient. Also, it has many benefits such as long lifespan, safe, reliable, steady output and reliable performance. Most importantly, it is CE certified and does not contain mercury or other harmful substances.

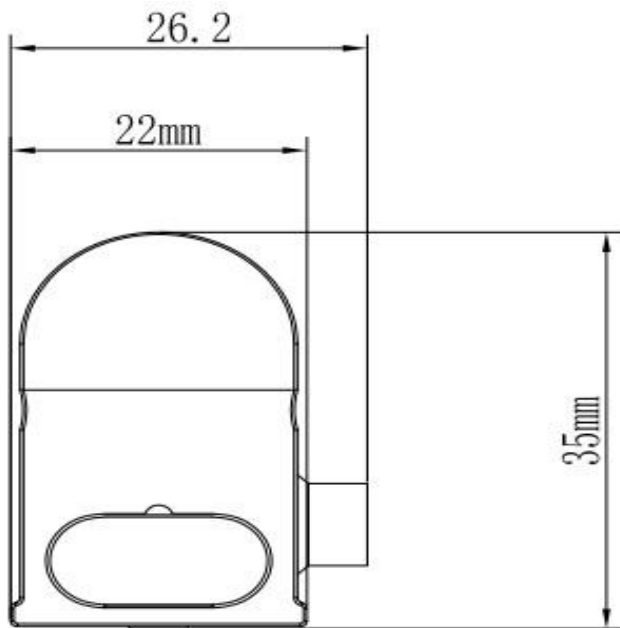
Electrical / Light Data

Part No	NS-T5-2KG8	NS-T5-3KG12	NS-T5-4KG16
Rated power (W)	8	12	16
Lumen (lm)	650-750	900-1000	1300-1450
CCT (K)	3000-6500		
CRI	R80		
Beam Angle (°)	110		
Power Factor	0.5		
Quantity of LED	40pcs	60 pcs	80pcs
Max Connected pieces	12pcs	10pcs	7pcs
Product size(mm)	L572xW22xH35	L872xW22xH35	L1172xW22xH35
Frame color	White		
Lamp Frame material	PVC		
Cover material	PC		
Qty./CTN (pcs)	40pcs	30pcs	30pcs
Input voltage range (V)	AC220~240		
Frequency range (Hz)	50/60		
Dimming	(Non-Dimming)		
Ingress protection code	IP20		
Working temperature & humidity	-20~40°C/30%~80%RH		
Storage temperature (°C) & humidity(%)	-20~40°C/30%~80%RH		
L70/B50 Median useful life (h)	15,000		
Ceiling type	Ceiling mounted		

Note:

1. There is deviation between the measured values and the above typical values.
2. L70/B50: the hours when 50% lamps faded to 70% Luminous Efficiency.
3. The tolerance range of power and luminous flux is $\pm 10\%$.
4. Recommended working temperature is less than 35°C , reach or exceed 40°C will have the potential risk of reducing lamp life.
5. Please refer to the following product size drawings for the detailed product size.
6. For the products with power supply, if the storage period exceeds half a year, to avoid the potential risk of reducing the life of the lamp, please conduct the charging activation operation at least half an hour.
7. This product is prohibited in the UV environment.
8. Working no more than 12 hours a day, estimated service life is 25,000 hours. 1 year warranty no yellow issue.

Product Dimension:




Note:

1. The above parameters, which are typical values, are deviated from the measured values.
2. The tolerance limit of height and width is $\pm 0.5\text{mm}$ while the length is ± 3 .
3. The cross-section sizes are the same for all the models in this series.

Installation Instructions:

1. Take out the tube and check the appearance before install to make sure that there are not any unfavorable problems like broken, deformation, or lacking of accessories.
2. Install the retaining clip , position the retaining clip to the position of the lamp installation, fix it with screws, check whether the mounting clamps are firmly fixed and not loose, shake and so on;
3. Fix the tube and aim it right into the clips, and check its firmness;
4. Insert the power cord into the input hole of the tube holder;
5. Connect circuits after installation and check if the tube works normally;
6. One switch can control up to 10 pcs lamps, and different models can connect up to 8pcs lamps and the maximum allowable current of lamps is 0.8A.

Note:

1. Please read the wiring method carefully before wiring the lamp.
 2. The power cord of the lamp should not be exposed to the hot surface.
 3. Lamps are not waterproof lamps, which are confined to indoor use, and are not allowed to be applied outdoors, high temperature, high humidity, completely enclosed and flammable and explosive.
 4. Lamps need to be stored in a dry and cool environment.
 5. Lamps must be installed and repaired by a professional electrician.
- 

Applications

These LED T5 Batten can be used in your house, cabinet, supermarket, factory, conference room, office, indoor lighting places, covered channel, and background walls.

