



PRODUCT FEATURES

- Modular downlight unit consist of dual-lumen output & dual-CCT LED light engine and a reflector or diffuser bezel.
- The modular components design allows the assembly in-situ with toolless installation
- The flexibility modular design enables a faster delivery period for customer requirements, which is an ideal solution for short lead time projects
- Offer high cut-off angle for better glare control in reflector version
- Toolless terminal block facilitate easy installation and maintenance, and through wiring possible
- Wide range of sizes allow retrofit for many conventional downlights in existing ceiling cut-outs
- Delivery of wide and uniform light distribution
- Flicker free $\leq 3\%$ to avoid eye fatigue
- IP54 rated for damp location such as bathroom and kitchen

APPLICATIONS

- Bathrooms
- Hotels
- Kitchens
- Offices
- Restaurants
- Retails



PRODUCT INFORMATION

Model Number	FDL71600v1-ds/sc
Product Code	FDL71600v1-ds/sc+830840+WH
MM Code	MM10691

ELECTRICAL INFORMATION

Input Voltage	220-240 VAC
Frequency	50/60 Hz
Input Current	139/109 mA
Power	25/19.5 W
Power Factor	>0.9
Inrush Current	30 A
Inrush Duration	2.56 µs

DIMMING AND CONTROLS

Dimmability	Non-Dim
-------------	---------

PHOTOMETRICAL INFORMATION

Luminous Flux	2320/1860 @3000K 2500/2000 @4000K
Luminous Efficacy	93/95@3000K 100/103@4000K lm/W
Colour Temp	3000/4000 K
CRI	> Ra80
Beam Angle	100 °
Beam Angle Selectable	No
UGR	26
Colour Consistency	≤4
Max. intensity	900/750
Central intensity	900/750
Flickering	≤3% @100Hz
SVM	<0.1
P _{ST} LM	< 1.0

LIFE PERFORMANCE

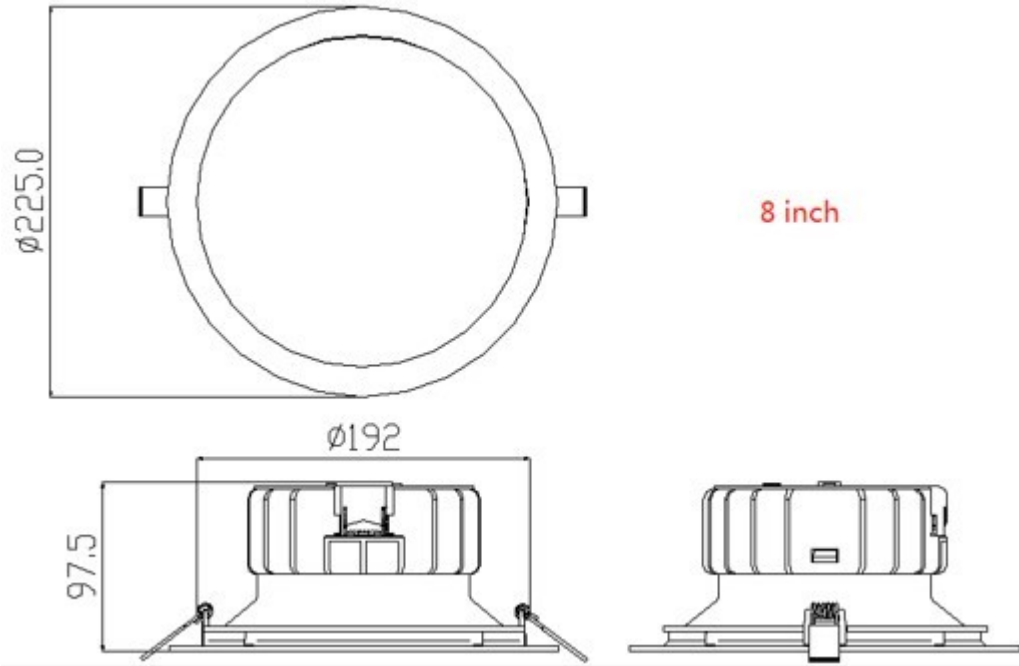
Lifetime	50,000hrs L80B10@Ta25°C
Number of Switching Cycles	100,000

STANDARDS AND APPLICATION

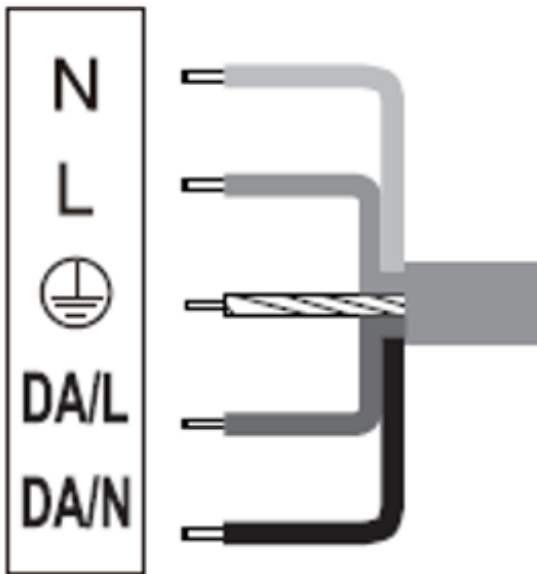
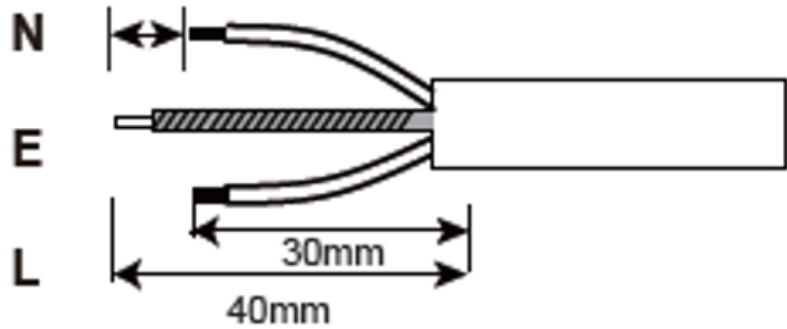
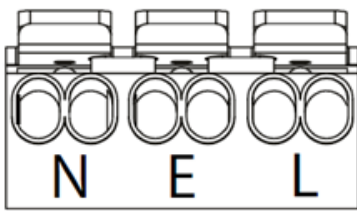
IP	IP20/IP54
Protection Class	CL II
Glow Wire	850 °C
Energy Class	A+
Standards Compliance	IEC/EN60598-1, IEC/EN60598-2-2

INSTALLATION AND CAPABILITIES

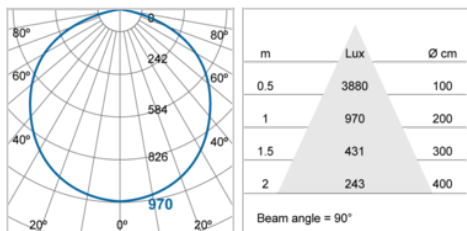
Installation	Recessed
Covered by insulation material	not cover with thermal material
Min. Distance from Lighted Object	0.1 mm



WIRING DIAGRAM



PHOTOMETRIC DIAGRAM



LOGISTIC INFORMATION

MM Code	Packaging Unit	Outer Box Dimensions			Gross Weight per Outer Box
		L	W	H	
	pcs/unit	mm	mm	mm	kg
MM10691	12	712	240	501	