



■ Features :

- 12V or 24V DC input
- Power ON-OFF switch
- Input voltage range: -15% ~ +25%
- Output voltage regulation: ±10%
- Protections: Bat. Low alarm/Bat. Low shutdown/Over voltage/Over temp./Output short/Input polarity reverse/Over load.
- Output waveform: Modified sine wave
- Topology: Microprocessor
- Approvals: E13 / EAC / CE
- 1 year warranty



SPECIFICATION

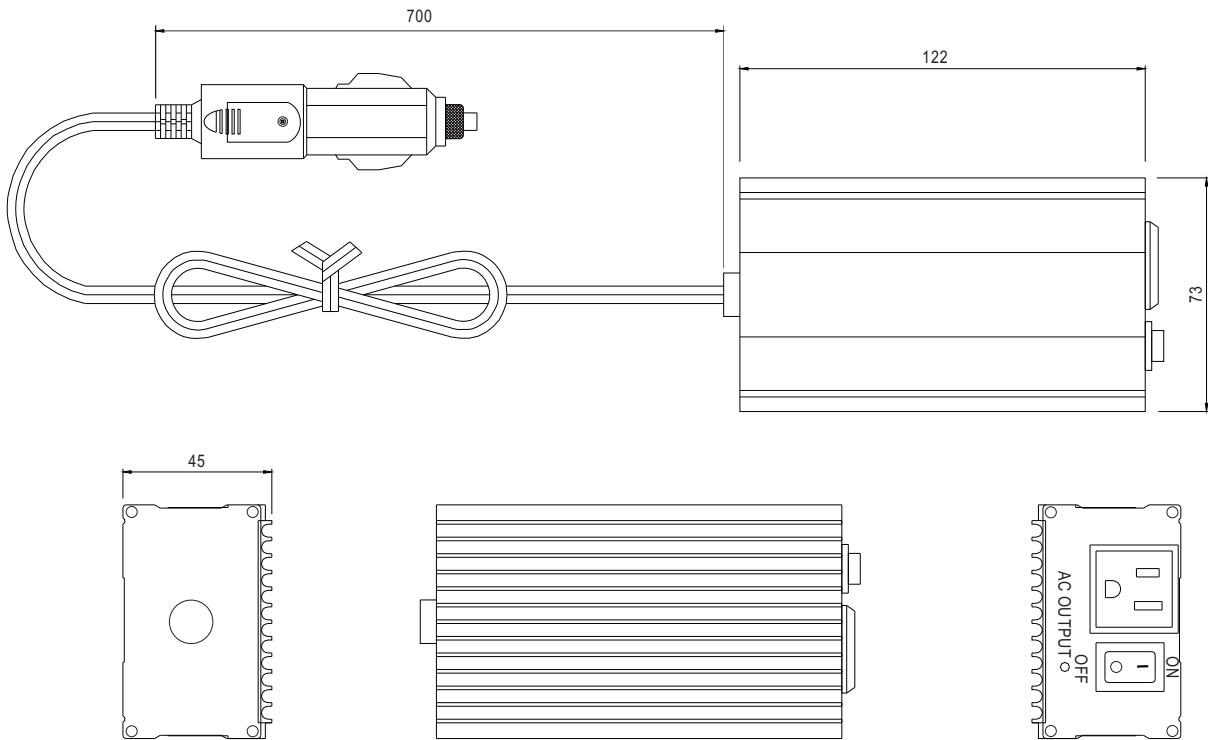
| ORDER NO. | A301-150-B2 | A302-150-B2 | |
|---------------|--|--|--------------------------|
| OUTPUT | SAFETY MODEL NO. | A301-150 | A302-150 |
| | AC VOLTAGE | 110V | 110V |
| | RATED POWER | 150W | 150W |
| | SURGE POWER | 300W | 300W |
| | WAVEFORM | Modified sine wave | Modified sine wave |
| | FREQUENCY | 60Hz±1% | 60Hz±1% |
| | AC REGULATION | ±10% | ±10% |
| | STANDARD RECEPTACLES | TYPE-2* 1ea | TYPE-2* 1ea |
| LED INDICATOR | Green LED for power on | | |
| INPUT | DC CURRENT | 15A | 10A |
| | NO LOAD CURRENT DRAW | 0.25A | 0.2A |
| | DC VOLTAGE | 12V | 24V |
| | VOLTAGE RANGE | 10 ~ 15VDC | 21 ~ 30VDC |
| | EFFICIENCY (Typ.) | 78% | 82% |
| | DC CONNECTOR | 700mm Cigarette plug*1ea | 700mm Cigarette plug*1ea |
| | FUSE | 15A* 1ea | 10A* 1ea |
| PROTECTION | BAT. LOW ALARM | 10±0.5V | 20.5±1V |
| | BAT. LOW SHUTDOWN | 9.5±0.5V | 19.5±1V |
| | OVER VOLTAGE | 15 ~ 17V | 30~32V |
| | OVER TEMPERATURE | 60±5°C / 140±9°F | |
| | OUTPUT SHORT | Shut-off; Broken | |
| BAT. POLARITY | By fuse open | | |
| ENVIRONMENT | WORKING TEMP. | 0 ~ 30°C @100% load, 40°C @50% load | |
| | WORKING HUMIDITY | 20% ~ 90% RH non-condensing | |
| | STORAGE TEMP., HUMIDITY | -30 ~ +70°C / -22 ~ +158°F, 10 ~ 95% RH | |
| | TEMP. COEFFICIENT | ±0.05% / °C (0 ~ 50°C) | |
| SAFETY & EMC | SAFETY STANDARDS | EAC TP TC 004 approved | |
| | ISOLATION RESISTANCE | I/P-O/P:100M Ohms / 500VDC / 25°C / 70% RH | |
| | EMI RADIATION | Compliance to EN55014-1, EAC TP TC 020 | |
| | EMS IMMUNITY | Compliance to EN55014-2, IEC61000-4-2,3, EAC TP TC 020 | |
| OTHERS | LVD | Compliance to EN60950-1 | |
| | MTBF | 200Khrs min. MIL-HDBK-217F(25°C) | |
| | DIMENSION | 122*73*45mm (L*W*H) | |
| | PACKING | 0.5Kg ; 30pcs / 17Kg / CARTON | |
| | COOLING | By air convection | |
| APPLICATIONS | Home appliance, Power tools, Office and Portable equipment and Vehicle ...etc. | | |

■ AC Output Receptacles (optional)

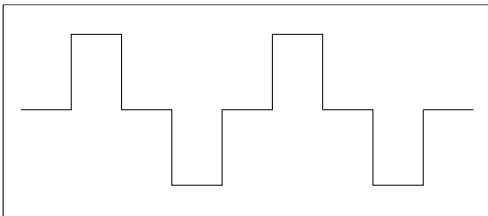
| | |
|--------|--------|
| | |
| TYPE-1 | TYPE-2 |
| JAPAN | USA |

■ Mechanical Specification

Unit:mm



■ AC Wavefrom Modified Sine Wave

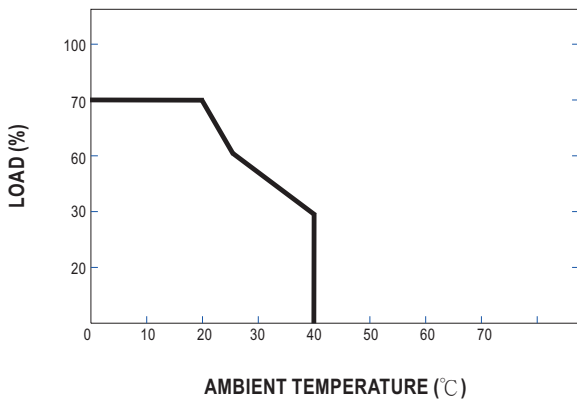


■ CAUTION

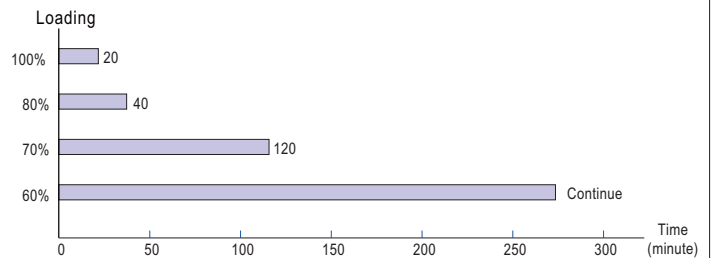
Always place the inverter in an environment which is:

- (A) Well ventilated
- (B) Not exposed to direct sunlight or heat source
- (C) Out of reach from children
- (D) Away from water/moisture oil or grease
- (E) Away from any flammable substance

■ Derating Curve



■ Output Loading & Duty





■ Features :

- 12V or 24V DC input
- Power ON-OFF switch
- Input voltage range: -15% ~ +25%
- Output voltage regulation: ±10%
- Protections: Bat. Low alarm/Bat. Low shutdown/Over voltage/ Over temp./Output short/Input polarity reverse/Over load.
- Output waveform: Modified sine wave
- Topology: Microprocessor
- Approvals: E13 / EAC / CE
- 1 year warranty



SPECIFICATION

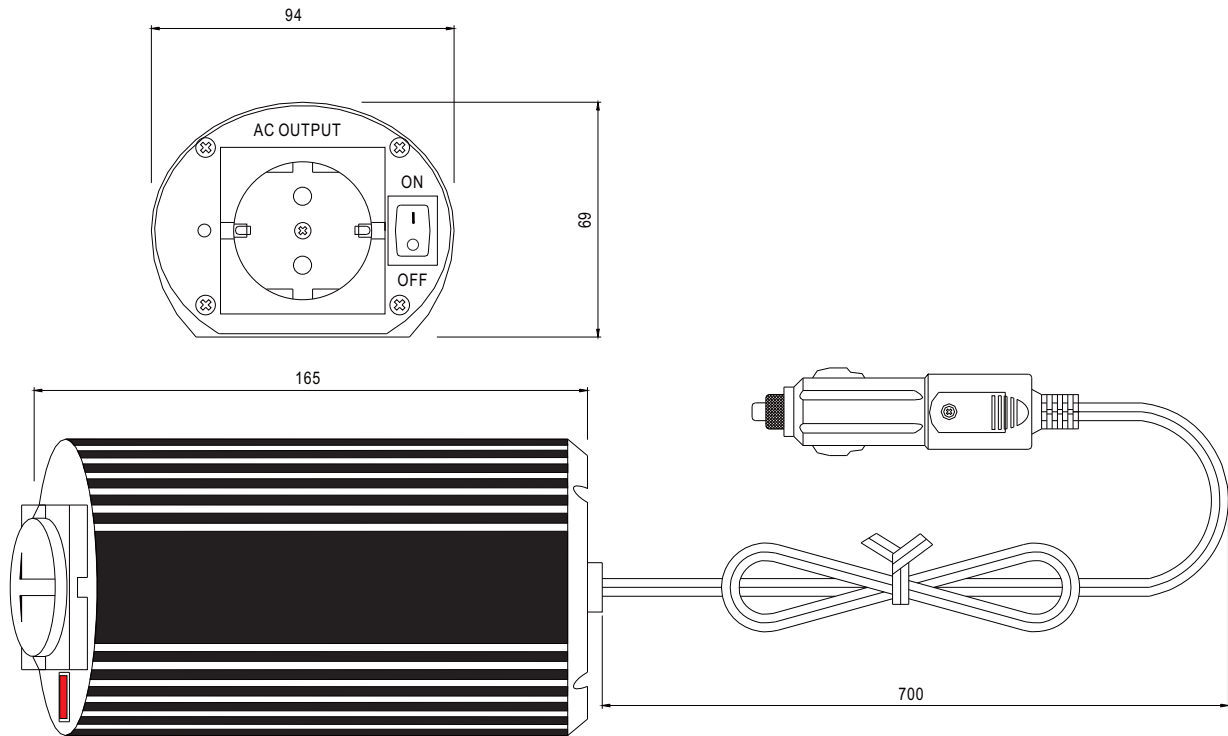
| ORDER NO. | A301-150-F3 | A302-150-F3 | |
|---------------|---|--|--------------------------|
| OUTPUT | SAFETY MODEL NO. | A301-150 | A302-150 |
| | AC VOLTAGE | 230V | 230V |
| | RATED POWER | 150W | 150W |
| | SURGE POWER | 300W | 300W |
| | WAVEFORM | Modified Sine Wave | Modified sine wave |
| | FREQUENCY | 50Hz±1% | 50Hz±1% |
| | AC REGULATION | ±10% | ±10% |
| | STANDARD RECEPTACLES | TYPE-3* 1ea | TYPE-3* 1ea |
| LED INDICATOR | Dual-color indicators display for power on / failure status | | |
| INPUT | DC CURRENT | 15A | 10A |
| | NO LOAD CURRENT DRAW | 0.25A | 0.2A |
| | DC VOLTAGE | 12V | 24V |
| | VOLTAGE RANGE | 10 ~ 15VDC | 21 ~ 30VDC |
| | EFFICIENCY (Typ.) | 78% | 82% |
| | DC CONNECTOR | 700mm Cigarette plug*1ea | 700mm Cigarette plug*1ea |
| | FUSE | 15A* 1ea | 10A* 1ea |
| PROTECTION | BAT. LOW ALARM | 10±0.5V | 20.5±1V |
| | BAT. LOW SHUTDOWN | 9.5±0.5V | 19.5±1V |
| | OVER VOLTAGE | 15 ~ 17V | 30 ~ 32V |
| | OVER TEMPERATURE | 60±5°C / 140±9°F | |
| | OUTPUT SHORT | Shut-off | |
| | BAT. POLARITY | By fuse open | |
| ENVIRONMENT | WORKING TEMP. | 0 ~ +30°C @100% load, 40°C @ 50% load | |
| | WORKING HUMIDITY | 20% ~ 90% RH non-condensing | |
| | STORAGE TEMP., HUMIDITY | -30 ~ +70°C / -22 ~ +158°F, 10 ~ 95% RH | |
| | TEMP. COEFFICIENT | ±0.05% / °C (0 ~ 50°C) | |
| SAFETY & EMC | SAFETY STANDARDS | EAC TP TC 004 approved | |
| | ISOLATION RESISTANCE | I/P-O/P:100M Ohms min./ 500VDC / 25°C / 70% RH | |
| | EMI RADIATION | Compliance to EN55014-1, EAC TP TC 020 | |
| | EMS IMMUNITY | Compliance to EN55014-2, IEC61000-4-2,3, EAC TP TC 020 | |
| | LVD | Compliance to EN60950-1 | |
| OTHERS | MTBF | 200Khrs min. MIL-HDBK-217F (25°C) | |
| | DIMENSION | 165*94*69mm (L*W*H) | |
| | PACKING | 0.8Kg ; 20pcs / 15Kg / CARTON | |
| | COOLING | By air convection | |
| | APPLICATIONS | Home appliance, Power tools, Office and Portable equipment and Vehicle ...etc. | |

■ AC Output Receptacles (optional)

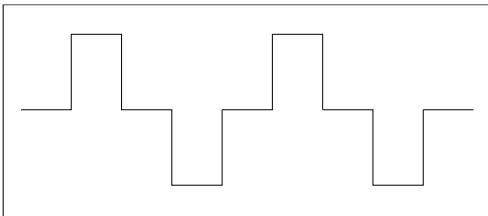
| | | | |
|--------|-----------|-----------|--------|
| | | | |
| TYPE-3 | TYPE-4 | TYPE-5 | TYPE-6 |
| EUROPE | UNIVERSAL | AUSTRALIA | U.K |

Mechanical Specification

Unit:mm



AC Wavefrom Modified Sine Wave

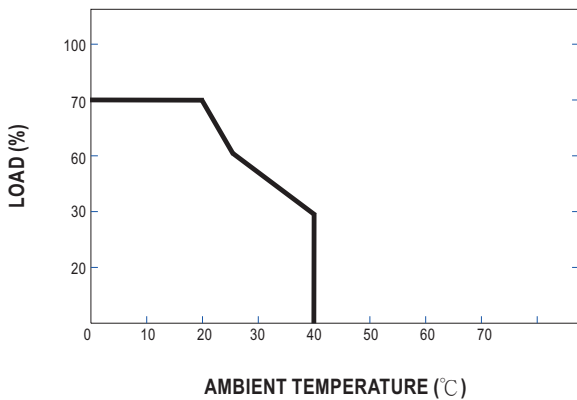


CAUTION

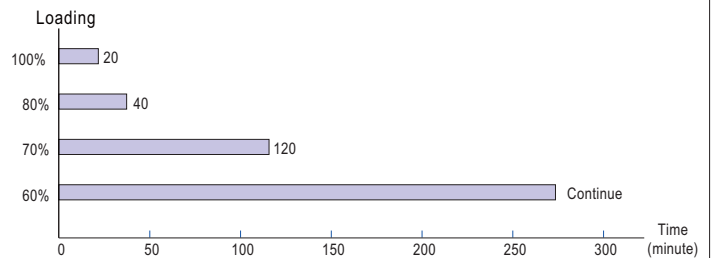
Always place the inverter in an environment which is:

- (A) Well ventilated
- (B) Not exposed to direct sunlight or heat source
- (C) Out of reach from children
- (D) Away from water/moisture oil or grease
- (E) Away from any flammable substance

Derating Curve



Output Loading & Duty



Mouser Electronics

Authorized Distributor

Click to View Pricing, Inventory, Delivery & Lifecycle Information:

[MEAN WELL:](#)

[A301-150-B2](#)