



Benefits

- High system efficacy up to 90 lm/W
- Light without flicker reduces stress while working/living underneath
- Driver on board in compact size ensure 1 step plug-and-play installation
- Up to 50% energy saving compared to conventional downlight

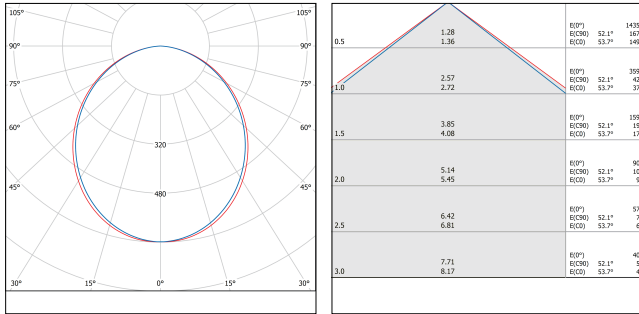
Application



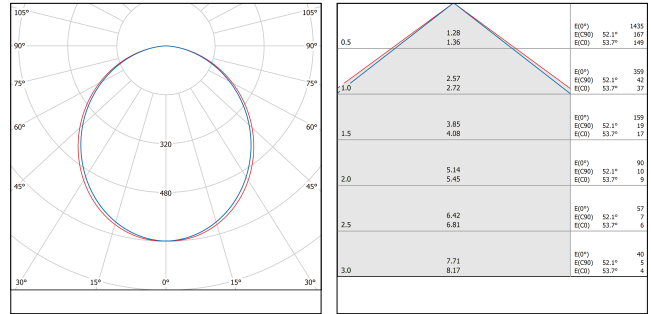
Model	Item Description	W	PF	lm	lm/W	mA	Ⓢ	Single Box Dimensions (LxWxH)mm	Outer Box Dimensions (LxWxH)mm	Packing Qty (PCS/CTN)
MQTL1119-Y-9W-R100	CLSV1 DL 9W R100 3000K	9	0.5	729	81	82	20000	125*38*125	410*395*270	60
MQTL1119-Y-9W-R100	CLSV1 DL 9W R100 4000K	9	0.5	810	90	82	20000	125*38*125	410*395*270	60
MQTL1119-Y-9W-R100	CLSV1 DL 9W R100 6500K	9	0.5	810	90	82	20000	125*38*125	410*395*270	60
MQTL1119-Y-12W-R125	CLSV1 DL 12W R125 3000K	12	0.5	972	81	109	20000	150*38*150	475*410*320	60
MQTL1119-Y-12W-R125	CLSV1 DL 12W R125 4000K	12	0.5	1080	90	109	20000	150*38*150	475*410*320	60
MQTL1119-Y-12W-R125	CLSV1 DL 12W R125 6500K	12	0.5	1080	90	109	20000	150*38*150	475*410*320	60
MQTL1119-Y-15W-R150	CLSV1 DL 15W R150 3000K	15	0.5	1215	81	136	20000	178*40*178	555*430*375	60
MQTL1119-Y-15W-R150	CLSV1 DL 15W R150 4000K	15	0.5	1350	90	136	20000	178*40*178	555*430*375	60
MQTL1119-Y-15W-R150	CLSV1 DL 15W R150 6500K	15	0.5	1350	90	136	20000	178*40*178	555*430*375	60
MQTL1119-Y-18W-R200	CLSV1 DL 18W R200 3000K	18	0.5	1458	81	164	20000	222*40*222	465*430*465	40
MQTL1119-Y-18W-R200	CLSV1 DL 18W R200 4000K	18	0.5	1620	90	164	20000	222*40*222	465*430*465	40
MQTL1119-Y-18W-R200	CLSV1 DL 18W R200 6500K	18	0.5	1620	90	164	20000	222*40*222	465*430*465	40
MQTL1119-F-9W-S100	CLSV1 DL 9W S100 3000K	9	0.5	729	81	82	20000	148*38*127	465*410*275	60
MQTL1119-F-9W-S100	CLSV1 DL 9W S100 4000K	9	0.5	810	90	82	20000	148*38*127	465*410*275	60
MQTL1119-F-9W-S100	CLSV1 DL 9W S100 6500K	9	0.5	810	90	82	20000	148*38*127	465*410*275	60
MQTL1119-F-12W-S125	CLSV1 DL 12W S125 3000K	12	0.5	972	81	109	20000	173*42*153	540*450*325	60
MQTL1119-F-12W-S125	CLSV1 DL 12W S125 4000K	12	0.5	1080	90	109	20000	173*42*153	540*450*325	60
MQTL1119-F-12W-S125	CLSV1 DL 12W S125 6500K	12	0.5	1080	90	109	20000	173*42*153	540*450*325	60
MQTL1119-F-15W-S150	CLSV1 DL 15W S150 3000K	15	0.5	1215	81	136	20000	200*40*180	625*430*380	60
MQTL1119-F-15W-S150	CLSV1 DL 15W S150 4000K	15	0.5	1350	90	136	20000	200*40*180	625*430*380	60
MQTL1119-F-15W-S150	CLSV1 DL 15W S150 6500K	15	0.5	1350	90	136	20000	200*40*180	625*430*380	60
MQTL1119-F-18W-S200	CLSV1 DL 18W S200 3000K	18	0.5	1458	81	164	20000	245*40*225	510*430*470	40
MQTL1119-F-18W-S200	CLSV1 DL 18W S200 4000K	18	0.5	1620	90	164	20000	245*40*225	510*430*470	40
MQTL1119-F-18W-S200	CLSV1 DL 18W S200 6500K	18	0.5	1620	90	164	20000	245*40*225	510*430*470	40
MQTL1119-Y-R150-SM KIT	CLSV1 DL R150 SM KIT	/	/	/	/	/	/	/	588*588*225	60
MQTL1119-Y-R200-SM KIT	CLSV1 DL R200 SM KIT	/	/	/	/	/	/	/	487*487*225	45
MQTL1119-F-S150-SM KIT	CLSV1 DL S150 SM KIT	/	/	/	/	/	/	/	588*588*225	60
MQTL1119-F-S200-SM KIT	CLSV1 DL S200 SM KIT	/	/	/	/	/	/	/	487*487*225	45

Photometric Data

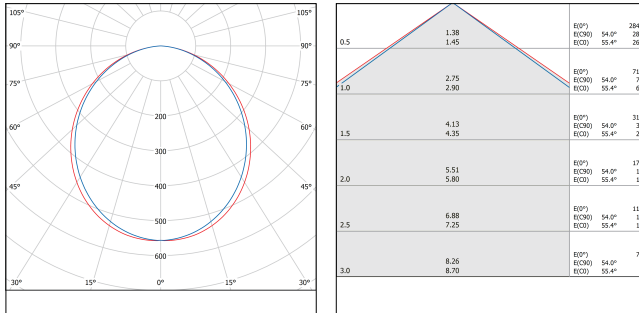
9W



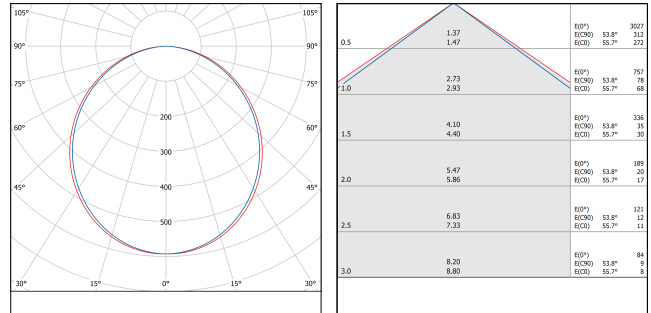
12W



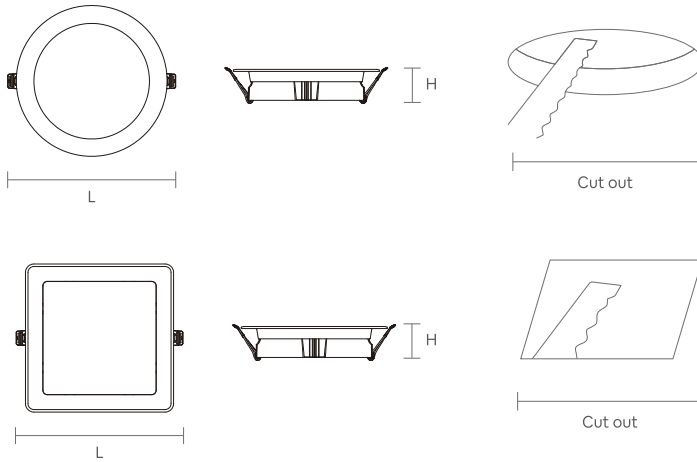
15W



18W



Dimensional Drawing



Model	L(mm)	H(mm)	Cut out(mm)
MQTL119-Y-9W-R100	Ø125	30	Ø100
MQTL119-Y-12W-R125	Ø150	30	Ø125
MQTL119-Y-15W-R150	Ø175	30	Ø150
MQTL119-Y-18W-R200	Ø220	30	Ø200
MQTL119-F-9W-S100	125	30	100*100
MQTL119-F-12W-S125	150	30	125*125
MQTL119-F-15W-S150	175	30	150*150
MQTL119-F-18W-S200	220	30	200*200

Technical Specifications	
CRI	80
Colour Consistency (SDCM)	≤ 6
Dimmable	No
Housing Colour	White
IP	IP20
IK	IK02
Driver integrated (Yes/No)	Yes
Glow wire test	650 C
Driver failure rate	1% at 5000h
Weight (pc/kg)	0.166/0.216/0.397/0.574

Electrical Supply	
Frequency (Hz)	50/60Hz
Voltage (V)	220V-240V
AC/DC	AC
Mechanical Properties	
Optical Material	PP
Housing Material	PC
Application Conditions	
Operating Temperature	-20 C~40 C
Application Temperature	20 C
Storage Environment	-20 C~40 C

CE CB

