

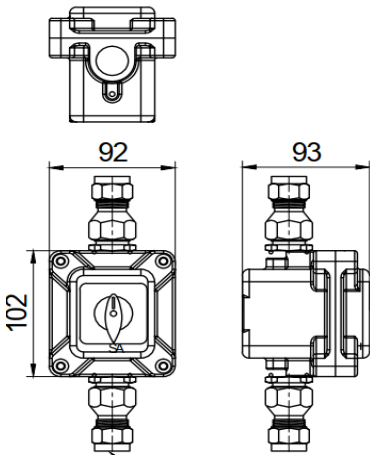


## LUMINAIRE SPECIFICATION

**PROJECT :**



1. Die casting aluminum alloy enclosure; high-voltage electrostatic powder coating (MAM Colour) ;
2. Ex-marks: Ex db IIB T4 Gb/Ex tb IIIC T130°C Db IP66;
3. Cable entry direction: Bottom;
4. Mounting type: Wall-mounted;
5. Power: AC230V 50HZ;
6. IECEx certification.



<b>Type :</b>	Ex-proof on/off switch	<b>Location :</b>	
<b>Model :</b>	MAMX09	<b>Legend :</b>	<b>Quantity:</b>
<b>Lamp Source:</b>		<b>Control Gear :</b>	N/A
<b>Color Temp :</b>	N/A	<b>Lumen:</b>	N/A
<b>Description :</b> MAMX09, EXPLOSION-PROOF SWITCH. **Cable gland not inclusive		<b>IP Rating :</b>	IP66
		<b>Dimension:</b>	As shown above
		<b>Country of Origin :</b>	China
		<b>Comments:</b>	

<b>Submitted Date:</b>	<b>Revision:</b>	<b>Approved by:</b>	<b>Signature:</b>
		Architect	
		Consultant	