



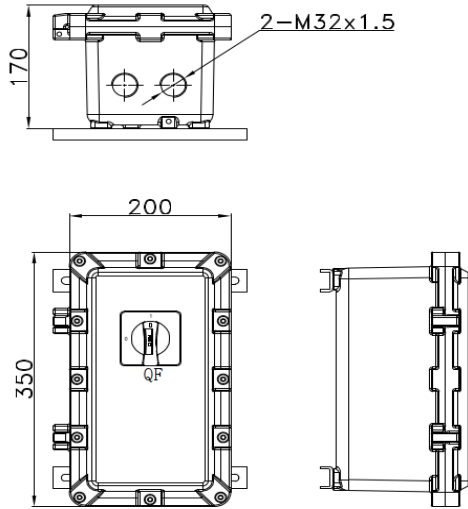
# LUMINAIRE SPECIFICATION

**PROJECT :**



TECHNICAL INSTRUCTION	
1	The enclosure is die casting by aluminium alloy, the surface is high voltage static powder coated.
2	Explosion rating $\text{Ex d II 2G Ex db IIB+H2 T4 Gb}$
3	Protection rating: IP66
4	Internal & External earth
5	Mounting type: Wall type

\*Above picture for illustration purposes only.



<b>Type :</b>	Ex-proof Isolator	<b>Location :</b>	
<b>Model :</b>	MAMX-02-B3-D	<b>Legend :</b>	<b>Quantity:</b>
<b>Lamp Source:</b>		<b>Control Gear :</b>	N/A
<b>Color Temp :</b>	N/A	<b>Lumen:</b>	N/A
<b>IP Rating :</b>		<b>IP Rating :</b>	IP66
<b>Description :</b> MAMX-02-B3-D, EXPLOSION-PROOF ISOLATOR **Isolator switch: iINT125-32A/4P		<b>Dimension:</b>	As shown above
		<b>Country of Origin :</b>	China
		<b>Comments:</b>	

<b>Submitted Date:</b>	<b>Revision:</b>	<b>Approved by:</b>	<b>Signature:</b>
		Architect	
		Consultant	