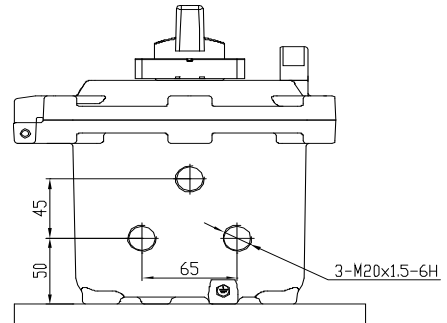
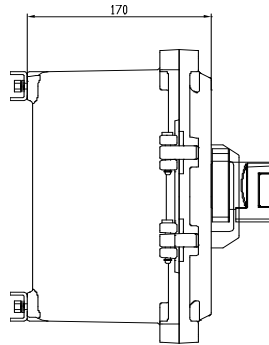
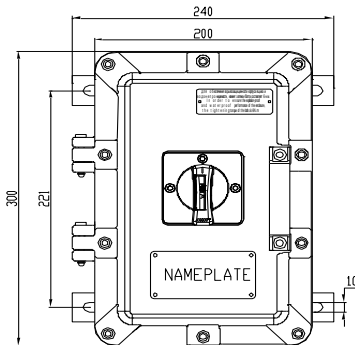


SPECIFICATION

PROJECT :



TECHNICAL INSTRUCTION	
1	The enclosure is die casting aluminium alloy, the surface is high voltage static powder coated.
2	Explosion rating $\text{Ex II 2G Ex db IIB+H2 T6 Gb}$
3	Protection rating: IP66
4	Internal & External earth
5	Mounting type: Wall type



***OPTIONAL ACCESSORIES:**



CB-E1UF-M40
FOR SWA CABLE
NICKEL PLATED BRASS



CB-A2F-U-M40
FOR NEOPRENE CABLE
NICKEL PLATED BRASS



SP-M40
BLIND PLUG
NICKEL PLATED BRASS

Type :	Ex-proof Isolator	Location :	
Model :	MAMX-02-B2-D (63A/4P)	Legend :	Quantity:
Lamp Source:		Control Gear :	N/A
Color Temp :	N/A	Lumen:	N/A
IP Rating :		IP Rating :	IP66
Description :	LUMENEX MAMX-02-B2-D, 63A 4 POLE EXPLOSION-PROOF ISOLATOR WITH 63A 4P MCB. SUITABLE FOR ZONE 1,21; 2&22 APPLICATION, DIE-CAST ALUMINIUM ALLOY HOUSING, IP66, IECEx & ATEX CERTIFIED.		Dimension: As shown above
		Country of Origin :	China
		Comments:	

Submitted Date:	Revision:	Approved by:	Signature:
		Architect	
		Consultant	