

LWW/LFL-W150A

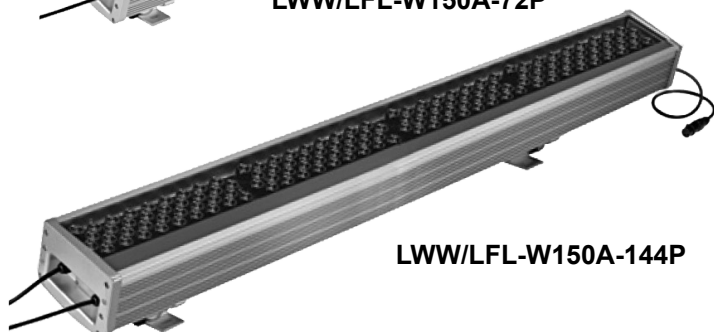
LED WALL WASH FIXTURE



LWW/LFL-W150A-36P



LWW/LFL-W150A-72P



LWW/LFL-W150A-144P

DESCRIPTION:

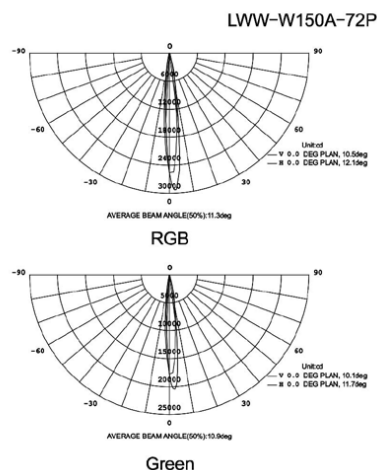
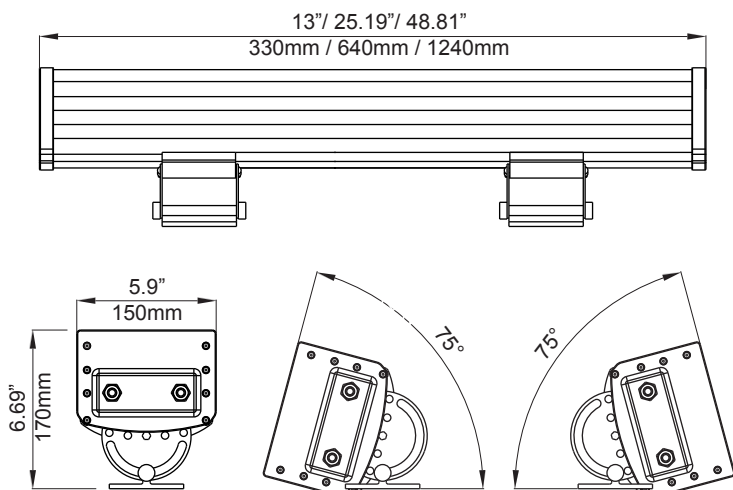
The LWW/LFL-W150A LED Light Source is a multi-controllable and configurable wall washer for the architectural and commercial lighting markets. It can work in independent mode with built in programs for single steady color or DMX mode for various color and light changing effects or master/slave mode for automation and synchronization. (LFL is single color without DMX control)

SPECIFICATIONS

Materials	Aluminum Alloy / 6063
Rotary Angle	150°
Input Voltage	120/240V AC
Operating Voltage	24V DC
Rating	IP65
Operating Temp.	-20° C – 40° C

PHOTOMETRICS *(more on page 5)*

D-1. Cadela Distribution



MODEL NO.	LED COLOR	LED QTY.	POWER	BEAM ANGLE	SIZE	WEIGHT	✓
LWW/LFL-W150A-36P	Warm White	36	40 Watts	10° / 20° / 45° / 15x50°	L13", W5.9", H6.7"	11 lb	
LWW/LFL-W150A-72P	Warm White	72	90 Watts	10° / 20° / 45° / 15x50°	L25.19", W5.9", H6.7"	18.73lb	
LWW/LFL-W150A-144P	Warm White	144	170 Watts	10° / 20° / 45° / 15x50°	L48.8", W5.9", H6.7"	33lb	