

# LED POOL LIGHT

ITEM NO.: LPL-R255A-12V

## INSTRUCTION OF LED POOL LIGHT LPL-R255A-12V

This product is mainly used for swimming pool, underwater fixture. With friendly and convenient operation, it can offer magic effects in water and ground.

### A. Specification

#### A-1. Structure

Materials Of Shell: Aluminum + PC Cover

Operating Voltage: 12V AC

Protection Rating: IP68

Operating Temperature: -20°C~40°C

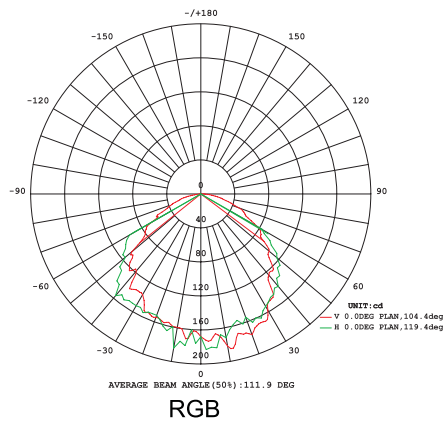


#### A-2. Model Configuration Table

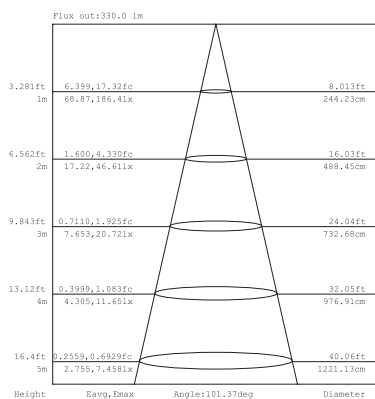
Model No.	LED Color	LED Quantity	Power Consumption	Working Voltage	Size	Weight	✓
LPL-R255A-18P-S	R, G, B, WW, NW, WW	18P	18/30 WATTS	12V AC	Φ 255 × 70mm	2.5kgs±5%	
LPL-R255A-18P-SW	R, G, B, WW, NW, WW	18P	18/30 WATTS	12V AC	Φ 255 × 70mm	2.5kgs±5%	
LPL-R255A-225-S	R, G, B, WW, NW, WW	225P	18/30 WATTS	12V AC	Φ 255 × 48mm	2.5kgs±5%	
LPL-R255A-225-SW	R, G, B, WW, NW, WW	225P	18/30 WATTS	12V AC	Φ 255 × 48mm	2.5kgs±5%	

### B. Photometrics

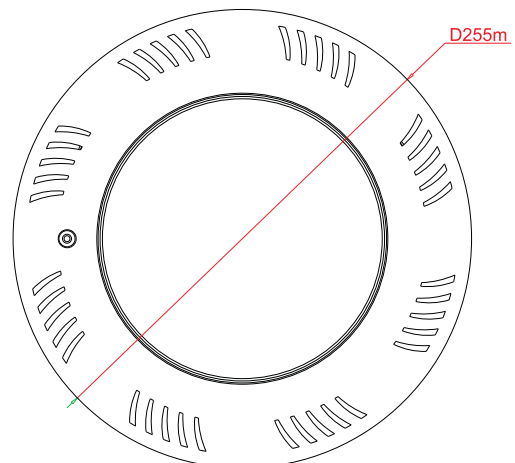
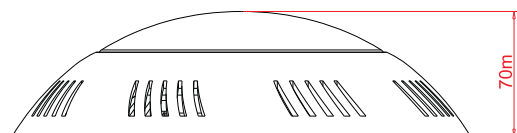
#### B-1. Cadela distribution



#### C-2. Illuminance at a distance



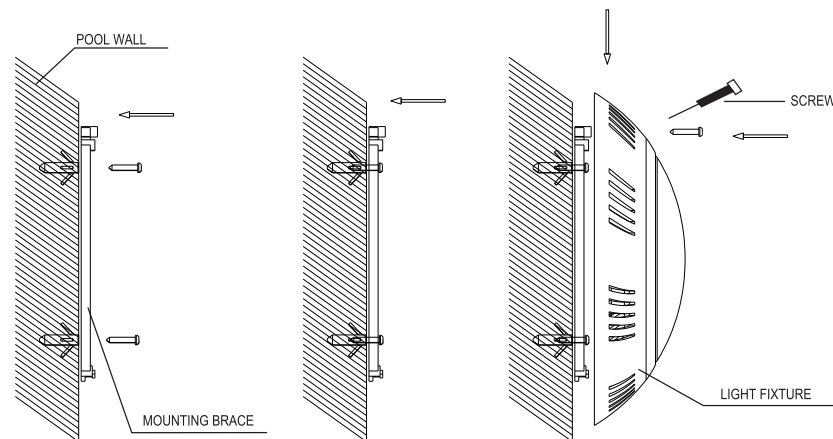
### C. Dimension Drawing



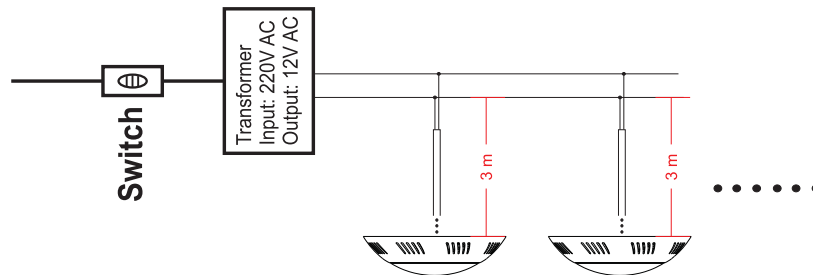
# LED POOL LIGHT

ITEM NO.: LPL-R255A-12V

## D. Installation



## E. Connection



- B-1. Switch power on and off, all inside function will circle and change orderly.
- B-2. Function sheet as below. Switch power on, the lamp will hold the last function; when the power was switched off and on, the function will move ahead into a new one.
- B-3. Press the switch off and on between 1 second and 3 second, the synchronous working mode will be guaranteed; After with interval more than 5 seconds (better longer time), the function will be hold as last one.
- B-4. Once some lamps failed to work synchronously with others (usually slow one step) due to tolerance of electronic components inside, switch power on and off and in 1~3 second quickly and frequently, so as to set the lamps into default synchronous working mode status.
- B-5. Press the switch on and off continuously within 4 times, the inside function will recover to function 1: Red.

### Function sheet

No	Program
1	Red
2	Yellow(R+G)
3	Green
4	Cyan(G+B)
5	Blue
6	Purple(B+R)
7	White (B+G+R)
8	Seven colors jumping
9	Flashing Red
10	Flashing Yellow(R+G)
11	Flashing Green
12	Flashing Cyan(G+B)

No	Program
13	Flashing Blue
14	Flashing Purple(B+R)
15	Flashing White (B+G+R)
16	Red Fade
17	Yellow Fade(R+G)
18	Green Fade
19	Cyan Fade(G+B)
20	Blue Fade
21	Purple Fade(B+R)
22	White Fade(B+G+R)
23	Seven colors fading
24	Auto-run

### Caution:

- Do not plug them into power when the product is still in package;
- Don't use anything to cover the fixture during application;
- Don't use this product in close environment;
- If this product appears to be damaged, do not attempt any repair, please contact your dealer.

### Warning:

- \* Neglect on action of the above treatment will lead to failure of waterproof and proper working of the lights!!!
- \* Make sure the ground connection well avoid electric shock, due to metal housing.